

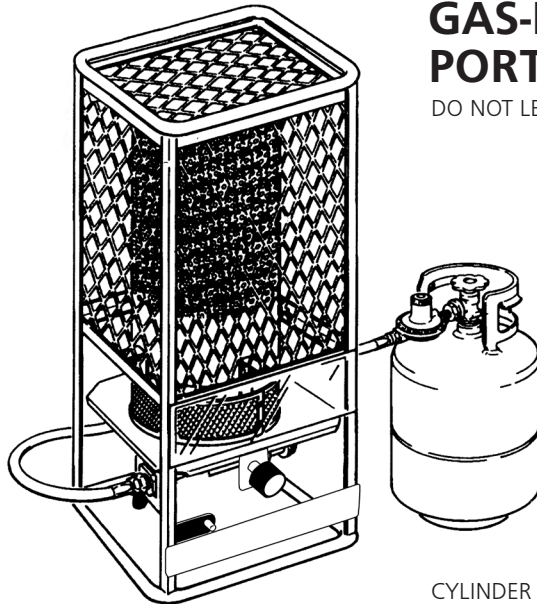
OPERATING INSTRUCTIONS AND OWNER'S MANUAL

READ INSTRUCTIONS CAREFULLY: Read and follow all instructions. Place instructions in a safe place for future reference. Do not allow anyone who has not read these instructions to assemble, light, adjust or operate the heater.

HEATSTAR

MODEL

HS125NG, HS125LP



GAS-FIRED INFRA-RED PORTABLE CONSTRUCTION HEATER

DO NOT LEAVE HEATER UNATTENDED OR IN OPERATION WHILE SLEEPING

CYLINDER NOT INCLUDED



GENERAL HAZARD WARNING:

FAILURE TO COMPLY WITH THE PRECAUTIONS AND INSTRUCTIONS PROVIDED WITH THIS HEATER CAN RESULT IN DEATH, SERIOUS BODILY INJURY AND PROPERTY LOSS OR DAMAGE FROM HAZARDS OF FIRE, EXPLOSION, BURN, ASPHYXIATION, CARBON MONOXIDE POISONING, AND/OR ELECTRICAL SHOCK.

ONLY PERSONS WHO CAN UNDERSTAND AND FOLLOW THE INSTRUCTIONS SHOULD USE OR SERVICE THIS HEATER.

IF YOU NEED ASSISTANCE OR HEATER INFORMATION SUCH AS INSTRUCTION MANUALS, LABELS, ETC., CONTACT THE MANUFACTURER.



WARNING:


FIRE, BURN, INHALATION AND EXPLOSION HAZARD. KEEP SOLID COMBUSTIBLES SUCH AS BUILDING MATERIALS, PAPER OR CARDBOARD A SAFE DISTANCE AWAY FROM THE HEATER AS RECOMMENDED BY THE INSTRUCTIONS. NEVER USE THE HEATER IN SPACES WHICH DO OR MAY CONTAIN VOLATILE OR AIRBORNE COMBUSTIBLES OR PRODUCTS SUCH AS GASOLINE, SOLVENTS, PAINT THINNER, DUST PARTICLES OR UNKNOWN CHEMICALS.



WARNING: NOT FOR HOME OR RECREATIONAL VEHICLE USE

SPECIFICATIONS

MODEL NO. HS125LP HS125NG
 GAS TYPE LP-Gas Natural Gas
 MAX. INLET PRESSURE. 14 IN. W.C. 14 IN. W.C.
 MIN. INLET PRESSURE..... 11 IN. W.C. 7 IN. W.C.
 MANIFOLD PRESSURE..... 9.5 IN. W.C. 6 IN.W.C.



WARNING
 DO NOT EXCEED ½ psi (14" w.c.) GAS PRESSURE TO THE GAS CONTROL VALVE.

VENTILATION



WARNING
 THIS APPLIANCE IS UNVENTED AND MUST BE USED ONLY IN A WELL VENTILATED AREA.

The flow of combustion and ventilation air must not be obstructed. DO NOT use in a tightly enclosed area.

Any combustion process requires and consumes oxygen, and may produce carbon monoxide. This heater must be operated with adequate ventilation. Two openings directly to the outdoors must be provided, one low and one high, preferably on opposite sides of the area to be heated. Each of these openings must provide at least three square inches of combustion air-intake area and exhaust outlet area for every 1000 BTUs per hour of heater input rate in order to complete the combustion/ventilation process. Provide additional ventilation for any additional fuel-burning appliances and/or additional occupants.

CLEARANCE (Minimum clearances to combustible materials)


Do not exceed the gas supply pressures shown on rating plates. The maximum inlet gas supply pressures and minimum inlet supply pressures (for purposes of input adjustment) for LP-Gas and Natural gas are shown as follows:

MODEL NO.	BTU/HR RATING TYPE GAS		NORMAL OPERATING POSTION	CLEARANCES TO COMBUSTIBLES		
	NATURAL	LP-GAS		TOP	SIDES	BACK
HS125LP		125,000*	VERTICAL	48"	60"	60"
HS125NG	125,000		VERTICAL	48"	60"	60"

*Tank size and tank temperature can directly affect BTU output

CONTENTS

Installation Instructions 3
 Location 3
 Piping 3
 Operating Instructions 4
 Lighting and Shut Down 4
 Maintenance Instructions 5
 Replacement Parts List 6
 Service and Parts Ordering Information 8




FOR YOUR SAFETY
 Do not use this heater in a space where gasoline or other liquids having flammable vapors are stored or used.

The heater is designed and approved for use as a construction heater under ANSI Z83.7 / CGA 2.14 - 2000

We cannot anticipate every use which may be made of our heaters. CHECK WITH YOUR LOCAL FIRE SAFETY AUTHORITY IF YOU HAVE QUESTIONS ABOUT APPLICATIONS.

Other standards govern the use of fuel gases and heat producing products in specific applications. Your local authority can advise you about these.

This appliance is intended to be used primarily for the heating of buildings under construction, alteration or repair.



THE STATE OF CALIFORNIA REQUIRES THE FOLLOWING WARNING:
WARNING
 Combustion by-products produced when using this product contain carbon monoxide, a chemical known to the State of California to cause cancer and birth defects (or other reproductive harm).

INSTALLATION INSTRUCTIONS

GENERAL:

READ THESE INSTRUCTIONS CAREFULLY. Read and adhere to these instructions. DO NOT allow anyone who has not read these instructions to assemble, light, adjust or operate this heater.

DO NOT attempt to operate the heater with any gas other than that indicated on the heater nameplate.

For the U.S. and/or Canada, the installation of this appliance must comply with local and/or Provincial codes or, in the absence of these codes,

- With the (U.S.) National Fuel Gas Code, ANSI Z223.1 – Latest Edition (for Natural and LP-Gas operation, Models HS125NG and HS125LP), and with the (U.S) Standard for the Storage and Handling of Liquefied Petroleum Gases, ANSI/NFPA 58 (for LP Gas operation, Model MH125LP, HS125LP), or
- with the current (Canadian) CAN/CGA B149.1 AND B149.2 INSTALLATION CODES.

This heater (including hose and regulator assembly if applicable) must be inspected before each use and at least annually by a qualified service person. If the hose for Model HS125LP shows evidence of excessive abrasion or wear, or if the hose is cut, it must be replaced prior to the heater being put into operation. The replacement hose assembly shall be that specified by the manufacturer. See the parts list.

LOCATION

The heater (and LP-Gas supply cylinder if applicable) must be located on a hard, flat, level surface to minimize the risk of accidental tipping. If an LP Gas supply cylinder is used (i.e. with Model HS125LP), the cylinder should be adequately restrained to prevent accidental tipping. **DO NOT operate this heater with the supply cylinder in any other than the upright position.**

This appliance must be installed only in locations where the potential for physical damage to the appliance (i.e., due to physical contact) is reduced to a minimum.

The installer must inform the owner/operator of this appliance that precautions must be taken to protect the appliance from physical damage.

This appliance produces radiant heat. Therefore, it must be located at least six feet away from any LP-Gas container and must not be directed toward any LP-Gas container within 20 feet.

The heater must be installed in a location such that it will not be exposed directly to water spray, rain, and/or dripping water.

Use of this heater in a draft/windy area decreases its efficiency. If possible, operate the unit in a draft free area.

PIPING

For Model HS125LP (for use with LP-Gas)

This model may be connected to a self-contained LP-Gas supply system using the hose and regulator assembly supplied with the appliance, OR, it may be connected to a permanently installed LP-Gas supply system.

If connected to a self-contained LP-Gas supply system, the hose assembly must be inspected prior to each use of the heater. If it is evident that there is excessive abrasion or wear, or if the hose is cut, it must be replaced prior to the heater being put into operation.

If connected to a self-contained LP-Gas supply system, the cylinder must have no less than a minimum capacity of 40 pounds and no more than a maximum capacity of 100 pounds of LP-Gas. DO NOT connect this appliance to a cylinder having less than a nominal 40 pounds capacity of LP-Gas.



WARNING

NEVER USE A FORK LIFT TRUCK TYPE CYLINDER.

The connection of Model HS125LP to an LP-Gas cylinder must be made in a well ventilated area using the regulator and hose assembly supplied with the appliance. **DO NOT attempt to adjust this regulator.** It has been preset at the factory to provide safe and proper operation of the appliance. Use a 7/8" open end wrench to connect the POL fitting (supplied with the LP regulator) to the LP-Gas cylinder. Turn the POL nut in a counter-clockwise direction (left hand thread) until tight. **DO NOT use pipe compound on POL threads.**

The heater must be located at least six feet away from any LP-Gas cylinder and must not be directed toward any LP-Gas cylinder within 20 feet. If more than one heater is used, they and the supply cylinders must be separated by at least 20 feet. Check local codes.

The gas supply must be turned off at the LP-Gas supply cylinder when the heater is not in use.

When the heater is to be stored indoors, the connection between the LP-Gas supply cylinder and the heater must be disconnected and the cylinder removed from the heater and stored in accordance with Chapter 5 of the Standard for the Storage and Handling of Liquefied Petroleum Gases. ANSI/NFPA 58 (U.S.) OR CAN/CGA B149.2 (Canada).

If connected to a permanently installed LP-Gas supply system, the system requires the use of a two-stage gas regulator assembly which is normally provided by your LP Gas dealer as part of the LP-Gas supply system. Consult with your local LP Gas dealer for details concerning proper equipment and installation.

For Model HS125NG (for use with natural gas)

Piping must be clean and free from scale or burrs.

Install regulator supplied with heater. Connect with 1/2" NPT nipple (not included) to Control Valve.

Connect the appliance to an appropriately designed and installed fuel supply system. This system must include an approved manual shut-off valve which is readily accessible and is located within six (6) feet of the appliance. Additionally, a sediment trap or drip leg must be located upstream of this manual shut-off valve. Refer to the appropriate (natural gas) installation code noted above. If a flexible connector is used, it must be of an approved type.

Before attempting to ignite the appliance, all gas fittings and connections must be thoroughly checked for gas leaks. Apply a small amount of a mild soap and water solution to all fittings and connections and observe for escaping bubbles. If any leaks are detected, shut off the gas supply to the appliance immediately. Wait a minimum of five minutes, repair the leak(s) and retest for leakage. Dry all fittings and connections after leak testing.



WARNING

NEVER USE A FLAME FOR GAS LEAK TESTING.

OPERATING INSTRUCTIONS



WARNING

IF YOU DO NOT FOLLOW THESE INSTRUCTIONS EXACTLY, A FIRE OR EXPLOSION MAY RESULT CAUSING PROPERTY DAMAGE, PERSONAL INJURY, OR LOSS OF LIFE.



CAUTION

THIS APPLIANCE IS HOT DURING NORMAL OPERATION, AVOID PHYSICAL CONTACT.



CAUTION

DO NOT PLACE CLOTHING OR OTHER COMBUSTIBLE MATERIALS ON THIS APPLIANCE.

DO NOT operate this heater if any part has been under water. Call a qualified service technician to inspect the appliance and to replace any part of the control system or gas control valve which has been under water.

This appliance must be installed and operated only in locations where the potential for physical damage to the appliance is reduced to a minimum. The owner/operator of this appliance must ensure that precautions are taken to protect the appliance from physical damage.

LIGHTING AND SHUT DOWN

Lighting the Heater

- 1 Before attempting to light the heater, smell all around the heater area for gas. Be sure to smell next to the floor because LP Gas is heavier than air and will settle on the floor. Turn on the gas supply to the appliance and check all fittings and connections for gas leaks using a mild soap and water solution. **NEVER use a match to check for gas leaks.** Should a gas leak occur, shut off the gas supply to the appliance immediately. Wait a minimum of five minutes before repairing the leak.
- 2 Use only the fuel intended for this appliance. Check the appliance rating plate for the correct fuel information.
- 3 Turn the gas valve knob clockwise to the "OFF" position. See Fig. 1 and Fig. 2 for location of appliance parts.
- 4 Wait a sufficient length of time (at least five minutes) to allow gas which may have accumulated in burner compartment to escape.
- 5 Turn on the main gas supply.
- 6a Depress and turn Control Knob counterclockwise to "Pilot" position and hold for 1-2 minutes. This may take longer to purge air from the supply hose depending on the length of the hose being used.

Depress red spark ignition button to light pilot flame (repeat until pilot lights) and continue to hold Control Knob at "Pilot" position for 30-60 seconds to enable Pilot Light Safety System.

Fully turn Control Knob to "ON" position to light burner.
or...

- 6b To light the pilot, move the lighting hole cover aside (see Fig. 1) and place a lighted match into the hole. Depress the gas valve knob and hold while lighting and observing the pilot burner. Ensure that the pilot burner ignites from the match. Allow the pilot to burn approximately 30 seconds before releasing the gas valve knob. If pilot does not remain lighted, repeat the lighting operation allowing a longer period of time before releasing the gas valve knob.

NOTE: In cases where long runs of gas supply lines have been installed ahead of the appliance, it may be necessary to bleed trapped air out of the supply lines before lighting the pilot. New installations generally require bleed of supply lines. Wait a minimum of five minutes after bleeding the supply lines before attempting to light the heater.

Adjust pilot if necessary as noted under "Pilot Burner Adjustment."

- 7 Turn the gas valve knob counter-clockwise to the "ON" position (see Fig. 1). The burner will light. **DO NOT operate the heater in any other than the full "ON" position.**
- 8 **IMPORTANT: DO NOT attempt to adjust the main burner input using the main gas supply valve,** for this may cause the pilot and thermocouple to shut down the burner (Fig. 2).

Shut-down instructions:

To turn the heater OFF,

- For short periods of time, turn the main burner off by rotating the gas valve knob clockwise to the "PILOT" position.
- For extended periods of non use, turn the appliance completely off by rotating the gas valve knob clockwise to the "PILOT" position, depress the knob slightly, then rotate the knob fully clockwise to the "OFF" position. (Note: For Model 120L, also turn off the gas supply cylinder.)

Pilot burner adjustment:

1. Remove the pilot adjustment cap. The pilot adjustment cap is a slotted screw located in front of the "Pilot" designation stamped on top of valve body just below the gas valve knob.
2. Adjust the pilot key to provide properly sized flame. Rotate the key "clockwise" to decrease or "counter-clockwise" to increase flame.
3. Replace the pilot adjustment cap.

MAINTENANCE INSTRUCTIONS

This heater (including hose and regulator assembly if applicable) must be inspected before each use. If the hose for the Model HS125LP shows evidence of excessive abrasion or wear, or if the hose is cut, it must be replaced prior to the heater being put into operation. The replacement hose assembly shall be that specified by the manufacturer. See the parts list.

The appliance area must be kept free and clear of combustible materials, gasoline and other flammable vapors and liquids at all times.

The flow of combustion and ventilation air must not be obstructed.

Cleaning the heater:

Periodically, the heater must be cleaned of all dirt and dust particles.



DANGER

DO NOT ATTEMPT TO CLEAN THE HEATER WHILE IT IS OPERATING OR WHILE IT IS STILL HOT.

Turn the heater off and wait until it has completely cooled (at least 20minutes) before cleaning.

Clean the outside of the heater using a damp cloth. DO NOT clean the heater by spraying water on it. Wipe the outside of the heater off with a dry cloth after cleaning.

Clean the inside of the heater using compressed air. Blow air back and forth along all inside surfaces until all dust has been dislodged.

Clean the orifice of each burner with a #69 drill bit (for LP-Gas). Clean the orifice manually (by hand) – DO NOT use power drill.

Clean the thermocouple lead.

DO NOT operate this heater if any part has been under water. Call a qualified service person to inspect the appliance and to replace any part of the control system or gas control valve which has been under water.

This heater must be inspected at least annually by a qualified service person.



WARNING

Do not exceed 1/2 PSI gas pressure to appliance gas control valve.

REPLACEMENT PARTS LIST FOR MODELS HS125NG HS125LP

SEE BACK PAGE FOR PARTS ORDERING INFORMATION

REF. #	ITEM #	DESCRIPTION
1	23510	Manual Control Valve
2	23511	Knob Control Valve
3	04466	Filter/Diffuser
4	23512	Orifice Pilot (HS125LP)
*4a	05374	Orifice Pilot (HS125NG)
5	21925	Thermocouple, 13"
6	23514	Pilot Burner
7	26255	Regulator (HS125LP)
8	11666	Regulator (HS125NG)
9	23515	Ignitor
10	20735	Piezo
15	23519	Valve Supply Tube
16	23520	Valve Supply Tube Clamp
17	23521	Burner Manifold
18	23522	Burner (L/P)
*18a	29025	Burner (NG)
*19	11412	Hose Assembly 12'
*19a	11420	Hose Assembly 20'
* Not Shown		

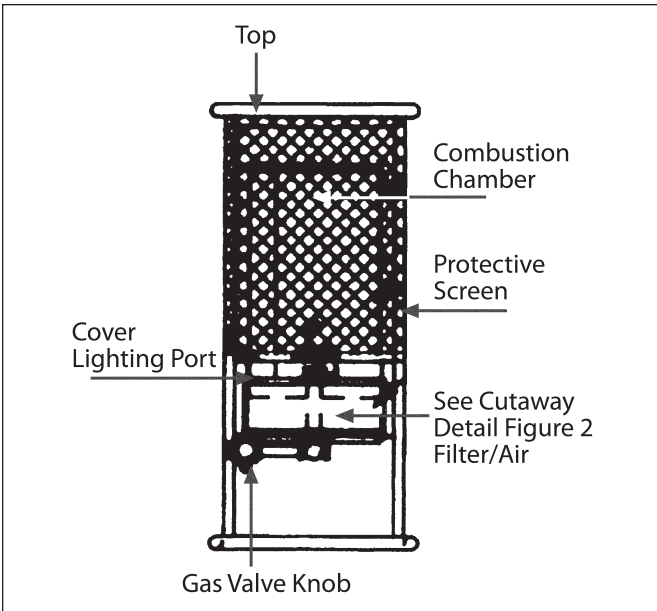


Figure 1

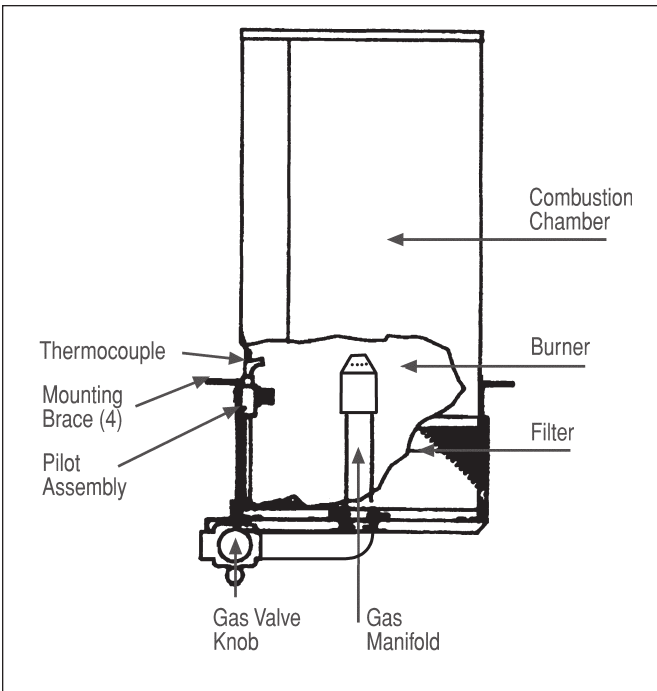
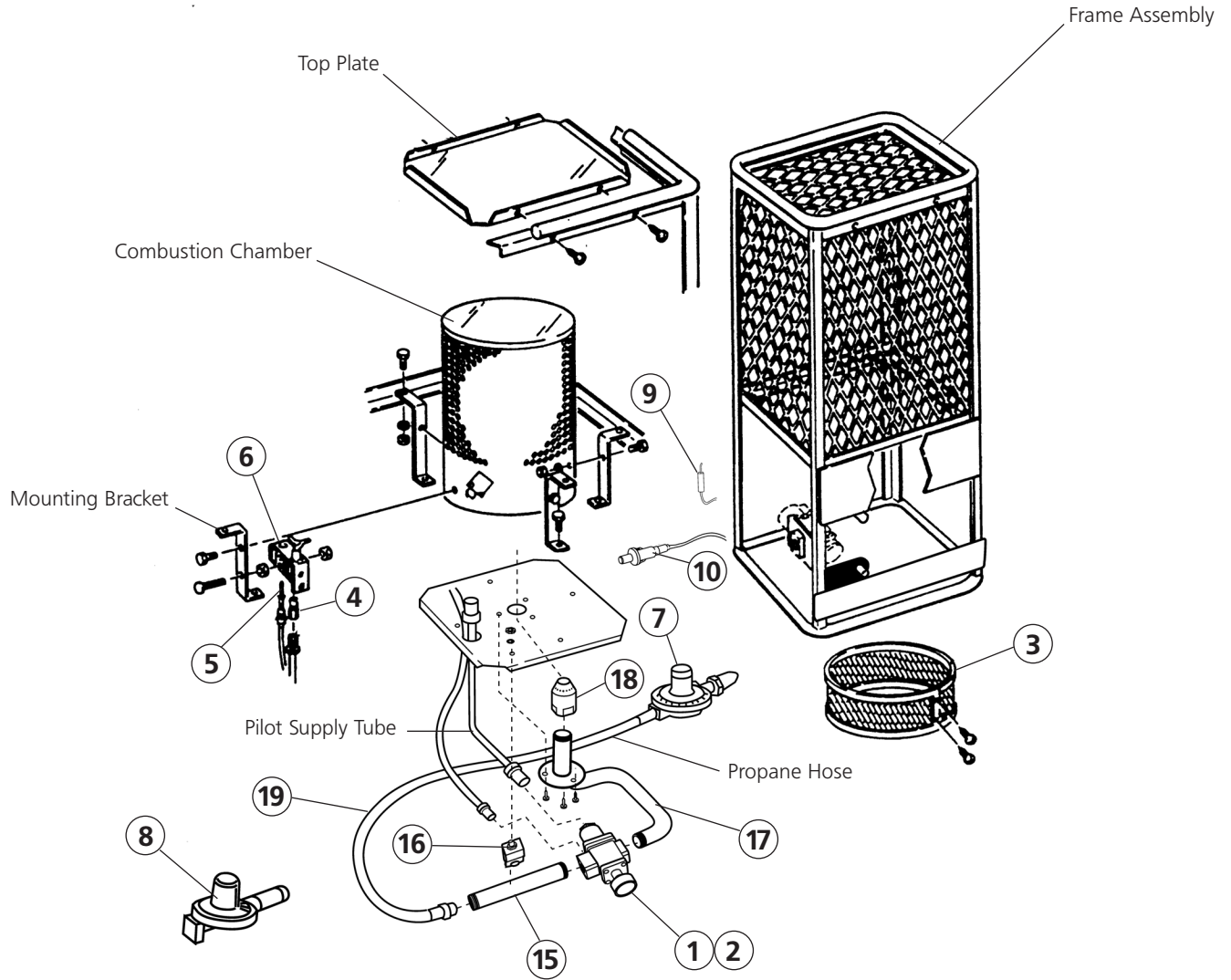


Figure 2

GAS-FIRED INFRA-RED PORTABLE CONSTRUCTION HEATER
MODELS HS125NG / HS125LP



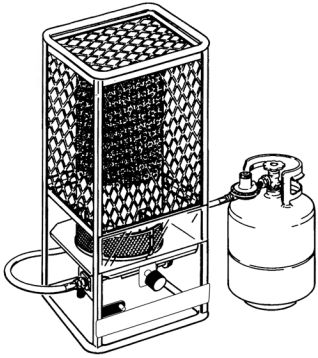
OPERATING INSTRUCTIONS AND OWNER'S MANUAL

READ INSTRUCTIONS CAREFULLY: Read and follow all instructions. Place instructions in a safe place for future reference. Do not allow anyone who has not read these instructions to assemble, light, adjust or operate the heater.

HEATSTAR

MODEL

HS125NG, HS125LP



WARNING:

USE ONLY MANUFACTURER'S REPLACEMENT PARTS. USE OF ANY OTHER PARTS COULD CAUSE INJURY OR DEATH. REPLACEMENT PARTS ARE ONLY AVAILABLE DIRECT FROM THE FACTORY AND MUST BE INSTALLED BY A QUALIFIED SERVICE AGENCY.

PARTS ORDERING INFORMATION:

PURCHASING: Accessories may be purchased at any Mr. Heater or HeatStar local dealer or direct from the factory

FOR INFORMATION REGARDING SERVICE

Please call Toll-Free 800-251-0001

www.enerco.com • www.mrheater.com

Our office hours are 8:30 AM – 5:00 PM, EST, Monday through Friday.

Please include the model number, date of purchase, and description of problem in all communication.

WARRANTY

Gas Fired Infra Red Portable Construction Heater HS125NG & HS125LP

Enerco Group, Inc. warrants that Infra Red Heaters manufactured and sold will be free from defects in material and workmanship.

Parts assemblies controls, etc. furnished by Enerco Group, Inc. will carry a one (1) year warranty on the applicable warranties of the suppliers.

The sole responsibility of Enerco Group, Inc. under this warranty shall be to replace or repair any part for which a written claim is made to Enerco Group, Inc. within the time limit of this warranty which is returned upon request to Enerco Group, Inc. – F.O.B. Cleveland Ohio – or F.O.B. an Enerco Group, Inc. authorized service facility and which is proved to be defective upon inspection by Enerco Technical Products.

This warranty shall not apply to any part or product which has been subjected to misuse or neglect, damaged by accident, or rendered defective by reason of improper installation. THIS WARRANTY IS IN LIEU OF ANY AND ALL OTHER WARRANTIES, EXPRESSED OR IMPLIED, and of any other responsibility of Enerco Technical Products for parts or products sold by Enerco Technical Products, including consequential or special damages.

Enerco Group, Inc. reserves the right to make changes at any time, without notice or obligation, in colors, specifications, accessories, materials and models.

ENERCO GROUP, INC., 4560 W. 160TH ST., CLEVELAND, OHIO 44135 • 216-916-3000

Enerco and Mr. Heater are registered trademarks of Enerco Group, Inc.

© 2003, Enerco/Mr. Heater. All rights reserved



ANSI Z83.7/CGA 2.14-2000

MANUEL DE L'UTILISATEUR ET INSTRUCTIONS D'UTILISATION

HEATSTAR

N° de modèles

HS125NG, HS125LP

REMARQUE : lisez et suivez les instructions d'utilisation. Rangez le manuel de l'utilisateur dans un endroit sûr aux fins de référence ultérieure. NE LAISSEZ PERSONNE qui n'a pas lu le manuel de l'utilisateur tenter de monter, de mettre en marche, de régler ou de faire fonctionner l'appareil de chauffage.

MISE EN GARDE

UTILISEZ SEULEMENT LES PIÈCES DE REMPLACEMENT DU FABRICANT. L'UTILISATION D'AUTRES PIÈCES PEUT CAUSER DES BLESSURES OU LA MORT. LES PIÈCES DE REMPLACEMENT SONT UNIQUEMENT DISPONIBLES AUPRÈS DE L'USINE ET DOIVENT ÊTRE INSTALLÉES PAR UN TECHNICIEN QUALIFIÉ.

COMMANDE DE PIÈCES

ACHAT : des accessoires peuvent être achetés auprès de votre détaillant local Mr. Heater ou Enerco, ou directement de l'usine.

INFORMATION SUR LE SERVICE

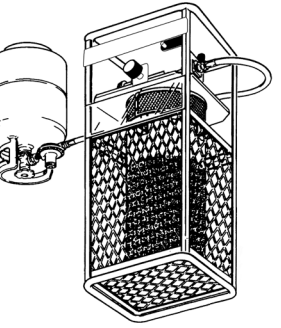
Veillez composer le numéro sans frais suivant : (800) 251-0001
www.mrheater.com
Nos heures d'ouverture sont de 8 h 30 à 17 h, heure de l'Est, du lundi au vendredi. Veillez fournir le numéro du modèle, la date d'achat et la description du problème lorsque vous communiquez avec notre service.

GARANTIE

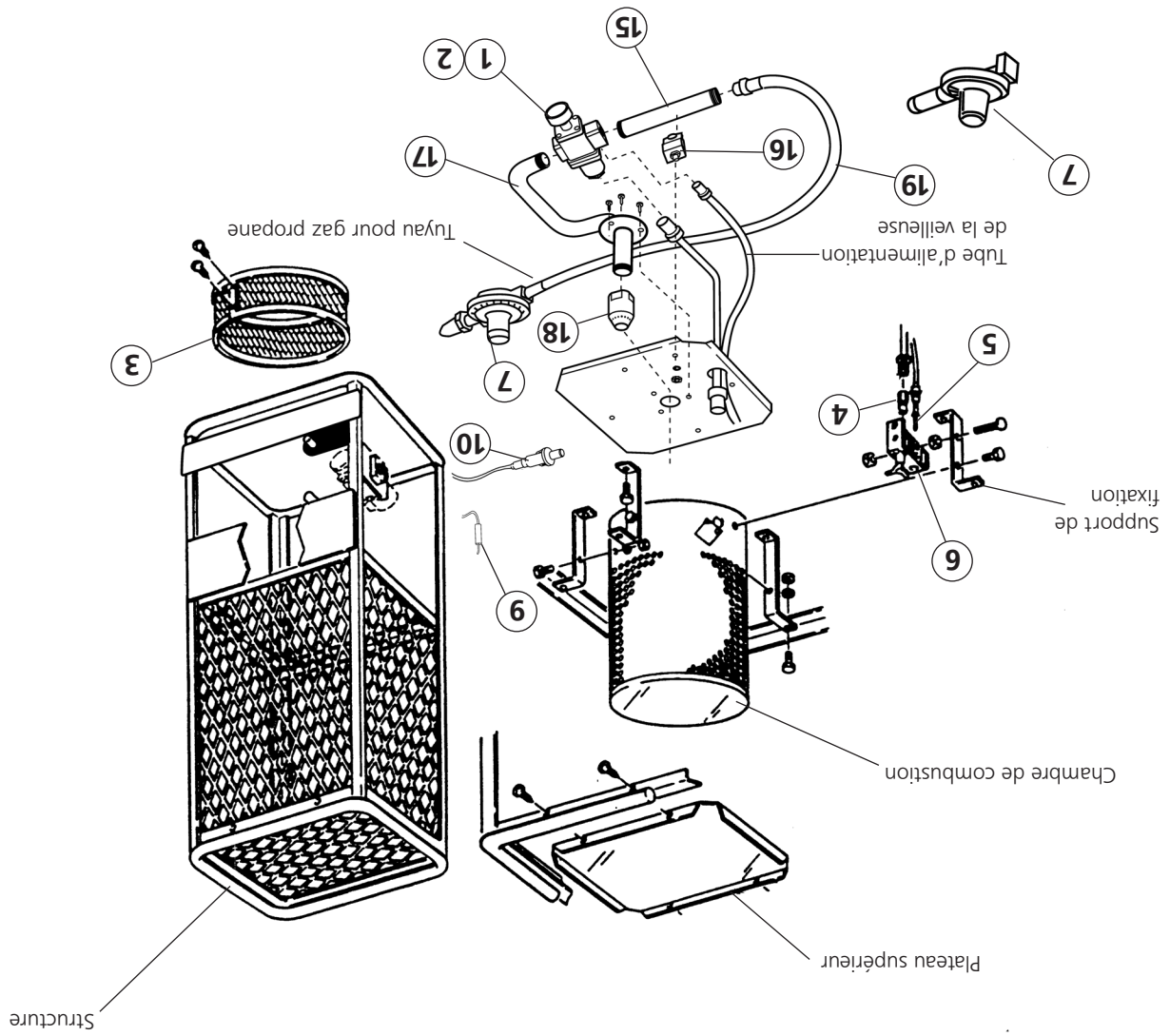
Appareil de chauffage portatif à infrarouge et au gaz HS125NG et HS125LP
Enerco Group, Inc., garantit que ses appareils de chauffage à infrarouge ne comportent aucun défaut lié aux pièces ou à la main d'œuvre.
Les ensembles de pièces, les pièces de contrôle, etc. fournis par Enerco Group, Inc., sont couverts par une garantie d'un (1) an sur les garanties applicables des fournisseurs.
L'unique responsabilité d'Enerco Group, Inc. conformément à la présente garantie est de remplacer ou de réparer toute pièce défectueuse pour laquelle une réclamation a été écrite à l'attention d'Enerco Group, Inc. et après qu'Enerco Group, Inc. a confirmé sa défectuosité et ce, dans la période de temps stipulée par la garantie, laquelle doit être retournée sur demande à Enerco Group, Inc., par franco à bord à Cleveland, Ohio - ou franco à toute installation de service autorisée par Enerco Group, Inc.,
La présente garantie ne s'applique pas si une pièce ou un produit a fait l'objet d'une mauvaise manipulation ou de négligence, a été endommagé à la suite d'un accident ou d'une mauvaise installation. LA PRÉSENTE GARANTIE REMPLACE TOUTE AUTRE GARANTIE, EXPLICITE OU IMPLICITE, ainsi que toute autre responsabilité d'ENERCO concernant les pièces ou les produits vendus par Enerco Group, Inc., notamment les dommages indirects ou spéciaux.

Enerco Group, Inc. se réserve le droit d'apporter des modifications à tout moment, sans préavis ou obligation, concernant les couleurs, les spécifications, les accessoires, les matériaux et les modèles.

Enerco Group, Inc., 4560 W. 160TH ST., CLEVELAND, OHIO 44135 o (216) 916-3000
Enerco et Mr. Heater sont des marques déposées d'Enerco Group, Inc.
© 2003, Enerco Group, Inc. Tous droits réservés



Enrico / Mr. Heater
 APPAREIL DE CHAUFFAGE PORTATIF À INFRAROUGE ET AU GAZ
 N° MODÈLES HS125NG / HS125LP



LISTE DES PIÈCES DE REMPLACEMENT N° MODÈLES HS125NG / HS125LP

VOIR LA DERNIÈRE PAGE POUR OBTENIR DES INFORMATIONS
SUR LA COMMANDE DE PIÈCES

N° RÉF.	N° ARTICLE	DESCRIPTION
1	23510	Valve de contrôle manuelle
2	23511	Valve de Contrôle de Bouton
3	04466	Filtere/Diffuseur
4	23512	Orifice de la veilleuse (HS125LP)
4a	05374	Orifice de la veilleuse (HS125NG)
5	21925	Thermocouple, 13"
6	23514	Brûleur de la veilleuse
7	26255	Régulateur (HS125LP)
8	11666	Régulateur (HS125NG)
9	23515	Allumeur
10	20735	Piezo
15	23519	Le Tube de Provision de soupape
16	23520	Le Serre-joint de Tube de Provision de soupape
17	23521	Le brûleur Divers
18	23522	Le brûleur (L/P)
18a	29025	Le brûleur (NG)
19	11412	L'Assemblée de tuyau (12 pied.)
19a	11420	L'Assemblée de tuyau (20 pied.)

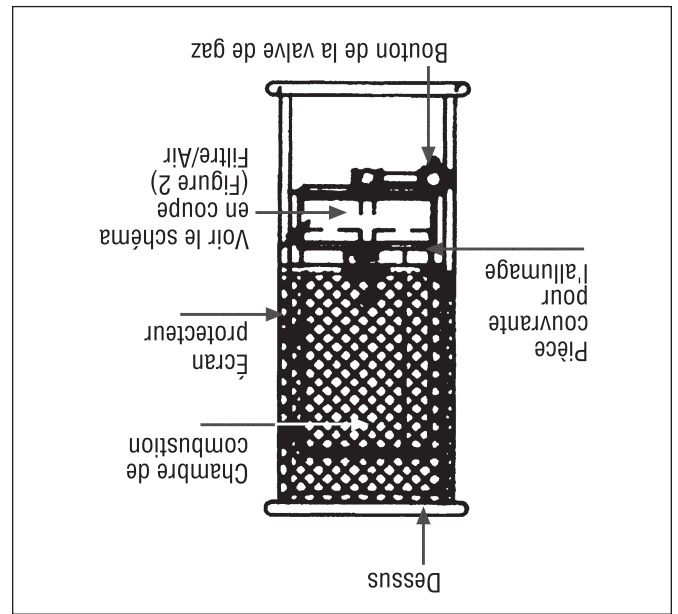


Figure 1

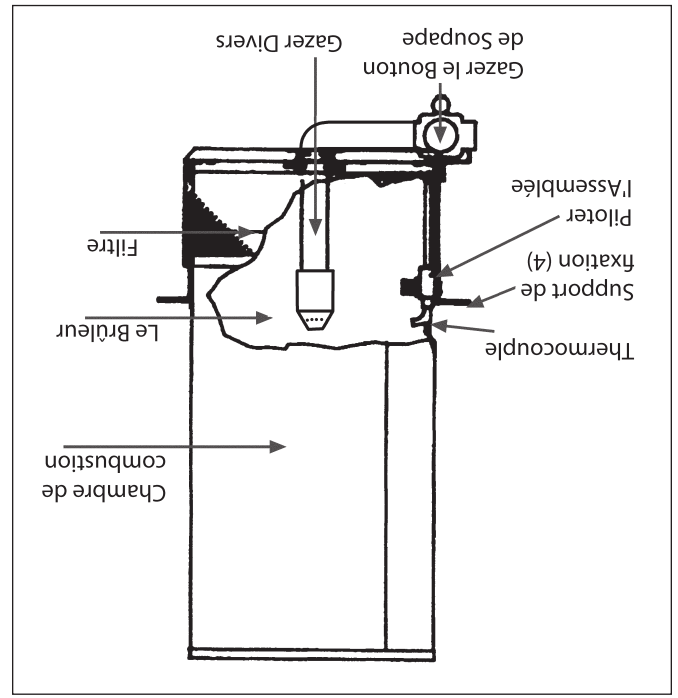


Figure 2

Le présent appareil de chauffage (y compris la tuyauterie et l'ensemble de régulation, le cas échéant) doit être inspecté avant chaque utilisation. Si le tuyau du modèle HS125LP montre des signes d'usure excessive, ou s'il est coupé, remplacez-le avant de mettre l'appareil de chauffage en marche. La tuyauterie de remplacement doit avoir été approuvée par le fabricant. Voir la liste des pièces de remplacement.

L'espace environnant de l'appareil doit toujours être dépourvu de combustibles, d'essence ou de vapeurs ou de liquides inflammables. La circulation d'air et le flux de combustion ne doivent pas être ralentis.

L'appareil de chauffage doit être nettoyé régulièrement afin d'enlever toute particule de poussière et de saleté.

Nettoyage

ENTRETIEN

1. Enlevez le capuchon de réglage de la veilleuse. Le capuchon de réglage est une vis fendue située en face de la désignation « Pilot » imprimée sur le dessus du corps de la valve, juste sous le bouton de la valve de gaz.
2. Réglez la clé de la veilleuse pour obtenir une flamme de taille appropriée. Faites tourner la clé en sens horaire pour diminuer la flamme, ou en sens anti-horaire pour l'augmenter.
3. Remplacez le capuchon de réglage de la veilleuse.

Réglage de la veilleuse

- Pour de longues périodes d'inutilisation, fermez complètement l'appareil en faisant tourner le bouton de la valve de gaz en sens horaire jusqu'à la position « PLOT », appuyez légèrement sur le bouton, puis faites-le tourner en sens horaire jusqu'à la position « OFF » : (Remarque : pour le modèle 120L, n'oubliez pas de fermer la bonbonne de gaz.)
- Pour de courtes durées, fermez le brûleur principal en faisant tourner le bouton de la valve de gaz en sens horaire jusqu'à la position « PLOT ».

Pour éteindre l'appareil de chauffage

Arrêt de l'appareil

8. Faites tourner le bouton de la valve de gaz en sens anti-horaire jusqu'à la position " ON " (voir figure 1). Le brûleur s'allumera. **NE FAITES PAS fonctionner le brûleur dans une position autre que " ON ".**
9. **IMPORTANT : N'ESSAYEZ PAS de régler l'admission en gaz du brûleur principal à l'aide de la valve d'alimentation principale,** car la veilleuse et le thermocouple pourraient fermer le brûleur (voir figure 2).

N'excédez pas ½ PSI de pression de gaz à la valve de contrôle du gaz de l'appareil.

MISE EN GARDE



Éteignez l'appareil et laissez-le refroidir complètement (au moins 20 minutes) avant de le nettoyer.

Nettoyez l'extérieur de l'appareil à l'aide d'un chiffon humide. NETTOYÉZ PAS l'appareil de chauffage en y vaporisant de l'eau. Essayez ensuite l'extérieur avec un chiffon sec.

Nettoyez l'intérieur de l'appareil en utilisant de l'air comprimé. Soufflez de l'air sur toutes les surfaces intérieures jusqu'à ce que la saleté soit délogée.

Nettoyez l'orifice de chaque brûleur à l'aide d'une mèche n° 69 (pour gaz propane liquide). Nettoyez l'orifice à la main - N'UTILISEZ PAS de perceuse électrique.

Nettoyez le fil du thermocouple.

N'UTILISEZ PAS l'appareil si l'un de ses composants a été en contact avec de l'eau. Faites appel à un technicien qualifié pour procéder à une vérification de l'appareil et remplacer toute pièce du système de contrôle ou de la valve ayant été en contact avec de l'eau.

L'appareil de chauffage doit être inspecté au moins une fois par année par une personne qualifiée.

NE TENTEZ PAS DE NETTOYER L'APPAREIL DE CHAUFFAGE LORSQU'IL EST EN MARCHÉ OU ENCORE CHAUD.

DANGER



Modèle HS125NG (au gaz naturel)

La tuyauterie doit être restée propre et ne doit pas être salie de bavure de mortier ou présenter des dépôts calcaires.

Installez le régulateur fourni avec l'appareil de chauffage.

Branchez-le à la valve de contrôle à l'aide d'un raccord fileté NPT de 1/2 po (non fourni).

Branchez l'appareil à un système d'alimentation en gaz conçu et installé de façon adéquate. Ce système doit inclure une valve d'arrêt manuelle approuvée, laquelle doit être accessible et située à un maximum de 6 pieds de l'appareil. De plus, un réservoir de décanation ou un collecteur de condensats doit être installé en amont de la valve d'arrêt manuelle. Veuillez vous référer au code d'installation approprié (gaz naturel) et à la réglementation locale. Veuillez utiliser un connecteur flexible approuvé.

Avant d'allumer l'appareil, veuillez vous assurer que les pièces de fixation et les joints sont bien installés afin de prévenir des fuites éventuelles. Pour détecter des fuites, appliquez une petite quantité d'eau savonneuse sur tous les joints; des bulles se formeront en présence de fuite. Dans un tel cas, coupez immédiatement l'alimentation en gaz. Attendez au moins 5 minutes, réparez la fuite et faites une autre vérification. Faites sécher les joints après la vérification.

MISE EN GARDE
N'UTILISEZ JAMAIS UNE FLAMME NUE POUR PROCÉDER À LA VÉRIFICATION D'UNE FUITE COLMATÉE.

INSTRUCTIONS D'UTILISATION

MISE EN GARDE
SI VOUS NE RESPECTEZ PAS LES INSTRUCTIONS À LA LETTRE, UN INCENDIE OU UNE EXPLOSION PEUT S'ENSUIVRE ET CAUSER DES DOMMAGES DE BIENS, DES BLESSURES CORPORELLES OU LA MORT.

AVERTISSEMENT
LE PRÉSENT APPAREIL DEVIENT TRÈS CHAUD EN COURS D'UTILISATION. ÉVITEZ TOUT CONTACT PHYSIQUE.

AVERTISSEMENT
NE DÉPOSEZ PAS DE VÊTEMENT OU AUTRE MATÉRIAU COMBUSTIBLE SUR L'APPAREIL DE CHAUFFAGE.

N'UTILISEZ PAS l'appareil si l'un de ses composants a été en contact avec de l'eau. Faites appel à un technicien qualifié pour procéder à une vérification de l'appareil et remplacer toute pièce du système de contrôle ou de la valve ayant été en contact avec de l'eau.

ALLUMAGE ET ARRÊT Allumage de l'appareil

Le présent appareil de chauffage doit être installé seulement dans des endroits où le potentiel de dommages physiques à l'appareil est réduit au minimum. Le propriétaire/utilisateur doit s'assurer que les précautions nécessaires sont prises afin de protéger l'appareil contre d'éventuels dommages physiques.

1 Avant d'allumer l'appareil, assurez-vous qu'il n'y a pas d'odeur de gaz. Étant donné que le gaz propane liquéfié est plus lourd que l'air, il est important de sentir au niveau du sol. Alimenter l'appareil en gaz et inspectez les joints pour détecter toute fuite de gaz à l'aide d'eau savonneuse. **N'UTILISEZ JAMAIS une flamme nue pour détecter une fuite.** En cas de fuite, coupez immédiatement l'alimentation en gaz à l'appareil. Attendez au moins 5 minutes avant de colmater la fuite.

2 Utilisez seulement le type de combustible prévu pour le présent appareil de chauffage. Consultez la plaque signalétique pour obtenir des informations sur le type de combustible à utiliser.

3 Faites tourner le bouton de la valve de gaz en sens horaire jusqu'à la position « OFF ». Voir les figures 1 et 2 pour connaître l'emplacement des pièces de l'appareil.

4 Attendez au moins 5 minutes pour laisser s'échapper le gaz qui s'est peut-être accumulé dans la chambre du brûleur.

5 Ouvrez l'alimentation de gaz principale.

6a Appuyez sur le bouton de contrôle et faites-le tourner en sens anti-horaire jusqu'à la position « Pilot ». Maintenez-le enfoncé pendant 1 ou 2 minutes. Le processus d'évacuation d'air peut prendre plus de temps si vous utilisez un long boyau d'alimentation.

Appuyez sur le bouton d'allumage rouge pour allumer la flamme de la veilleuse (répétez jusqu'à ce que la veilleuse s'allume) et continuez de maintenir le bouton de contrôle enfoncé en position « Pilot » pendant encore 30-60 secondes afin d'activer le système de sécurité de la veilleuse.

Faites tourner le bouton de contrôle jusqu'à la position « ON » pour allumer le brûleur. **ou...**

6b Pour allumer la veilleuse, déplacez le couvercle du trou d'allumage (voir figure 1) et placez une allumette allumée dans le trou. Appuyez sur le bouton de la valve de gaz et maintenez-le enfoncé pendant l'allumage tout en observant le bouton de la veilleuse. Assurez-vous que l'allumette allume le brûleur. Laissez la veilleuse brûler pendant environ 30 secondes avant de relâcher le bouton de la valve de gaz. Si la veilleuse ne reste pas allumée, répétez la démarche d'allumage et attendez un peu plus longtemps avant de relâcher le bouton de la valve de gaz.

REMARQUE : si de longues conduites d'alimentation en gaz ont été installées en avant de l'appareil de chauffage, vous devrez peut-être enlever l'air de ces conduites avant d'allumer la veilleuse. C'est souvent le cas pour les conduites d'alimentation des nouvelles installations. Après voir enlevé l'air des conduites d'alimentation, attendez au moins 5 minutes avant d'essayer d'allumer le brûleur.

Réglez la veilleuse au besoin, tel que décrit sous « Réglage de la veilleuse ».

INSTRUCTIONS D'INSTALLATION GÉNÉRAL :

VEUILLEZ LIRE ATTENTIVEMENT LES INSTRUCTIONS

SUIVANTES ET LES APPLIQUER

NE LAISSEZ PERSONNE qui n'a pas lu le manuel de l'utilisateur tenter de monter, de mettre en marche,

de régler ou de faire fonctionner l'appareil de chauffage.

N'ESSAYEZ JAMAIS de faire fonctionner l'appareil de chauffage avec un type de gaz autre que celui indiqué

sur la plaque signalétique.

Pour les É.-U. et le Canada, l'installation du présent appareil doit être conforme aux codes locaux et/ou provinciaux ou, dans l'absence de tels codes,

- au code national (É.-U.) de gaz inflammables (National Fuel Gas Code), ANSI Z223.1 - dernière édition (pour la manipulation du gaz propane et du gaz propane liquéfiés, modèles HS125NG et HS125LP), et à la norme sur l'entreposage et la manipulation de gaz liquéfiés (Standard for the Storage and Handling of Liquefied Petroleum Gases), ANSI/NFPA 58 (pour la manipulation du gaz propane liquéfié, modèle HS125LP), ou

- aux CODES D'INSTALLATION (Canada) CAN/CGA B149.1 ET B149.2

L'appareil de chauffage (y compris le tuyau et l'ensemble de régulation, le cas échéant) doit être inspecté avant chaque utilisation et au moins une fois par année par une personne qualifiée. Si le tuyau du modèle HS125LP montre des signes d'usure excessive, ou s'il est coupé, remplacez-le avant de mettre l'appareil de chauffage en marche. La tuyauterie de remplacement doit avoir été approuvée par le fabricant. Voir la liste des pièces de remplacement.

EMPLACEMENT

L'appareil de chauffage (et la bonbonne de gaz propane, le cas échéant) doit être placé sur une surface dure, plane et au niveau afin de réduire les risques de basculement. Si une bonbonne de gaz propane est utilisée (avec le modèle HS125LP), celle-ci doit être installée de façon sécuritaire afin d'empêcher qu'elle ne tombe. **N'UTILISEZ PAS l'appareil de chauffage avec la bonbonne de gaz en une position autre que verticale.** Le présent appareil de chauffage doit être installé seulement dans des endroits où le potentiel de dommages physiques à l'appareil (p. ex. causés par un contact physique) est réduit au minimum. L'installateur doit informer le propriétaire/l'utilisateur de l'appareil des précautions à prendre pour protéger l'appareil contre d'éventuels dommages physiques.

Le présent appareil de chauffage produit de la chaleur rayonnante. Il doit donc être placé à au moins six pieds d'une bonbonne de gaz et ne doit pas faire face à une bonbonne de gaz à moins de 20 pieds.

L'appareil ne doit pas être exposé directement à l'eau pulvérisée ou à la pluie.

L'efficacité de l'appareil sera réduite si vous l'utilisez dans un endroit venteux. Dans la mesure du possible, installez l'appareil dans un endroit sans courant d'air.

TUYAUTERIE

Modèle HS125LP

(pour utilisation avec du gaz propane liquéfié)

Ce modèle peut être branché à un système d'alimentation autonome de gaz propane à l'aide du tuyau et de l'ensemble de régulation fournis avec l'appareil. OU peut être branché à un système d'alimentation de gaz propane liquéfié installé de façon permanente.

Si branché à un système d'alimentation autonome de gaz propane liquéfié, la tuyauterie doit être examinée avant chaque utilisation. Si le tuyau montre des signes d'usure excessive, ou s'il est coupé, remplacez-le avant de mettre l'appareil de chauffage en marche.

Si branché à un système d'alimentation autonome de gaz propane liquéfié, la bonbonne doit avoir une capacité de 40 et 100 livres respectivement. NE BRANCHEZ PAS l'appareil à une bonbonne ayant une capacité de gaz propane liquéfié nominale de 40 livres. NE BRANCHEZ PAS l'appareil à plus d'une bonbonne ayant une capacité de 100 livres.

N'UTILISEZ JAMAIS UNE BONBONNE DE TYPE CHARIOT ÉLÉVATEUR À FOURCHE



MISE EN GARDE

Le branchement du modèle HS125LP à une bonbonne de gaz propane liquéfié doit être effectué dans un endroit bien aéré à l'aide de la tuyauterie et de l'ensemble de régulation fournis avec l'appareil. Ceci-ci a été réglé en usine afin d'assurer un fonctionnement adéquat et sécuritaire de l'appareil. Utilisez une clé à fourche 7/8 po pour brancher la pièce de fixation de gauche (fournie avec le régulateur à gaz) à la bonbonne de gaz. Vissez l'écrou de gauche en sens anti-horaire (filetage à gauche). **N'UTILISEZ PAS de mastic pour joints de tuyaux sur le filetage de gauche.**

L'appareil de chauffage doit être placé à au moins six pieds d'une bonbonne de gaz et ne doit pas faire face à une bonbonne de gaz à moins de 20 pieds. Si plusieurs appareils de chauffage sont utilisés, ces derniers ainsi que les bonbonnes doivent être séparés par une distance d'au moins 20 pieds.

Lorsque l'appareil de chauffage n'est pas utilisé, l'alimentation en gaz doit être coupée à la source, c'est-à-dire à la bonbonne de gaz.

Si l'appareil de chauffage est entreposé à l'intérieur, le tuyau entre la bonbonne de gaz et l'appareil doit être débranché, et la bonbonne enlevée de l'appareil de chauffage et entreposée de la façon indiquée au chapitre 5 de la norme d'entreposage et de manipulation des gaz liquéfiés (Standard for the Storage and Handling of Liquefied Petroleum Gases) ANSI/NFPA 58 (É.-U.) OU CAN/CGA B149.2 (Canada).

Si branché à un système d'alimentation de gaz installée de façon permanente, le système requiert l'utilisation d'un ensemble de régulation à deux phases habituellement fourni par votre fournisseur de gaz avec le système d'alimentation de gaz. Pour obtenir de plus amples informations sur les instructions d'installation et l'équipement appropriés, veuillez vous renseigner auprès de votre fournisseur de gaz local.

CONTENU

- Instructions d'installation 3
- Emplacement 3
- Tuyauterie 3
- Instructions d'utilisation 4
- Allumage et arrêt 4
- Entretien 5
- Liste des pièces de remplacement 6
- Service à la clientèle et commande de pièces 8

*La capacité et la température du réservoir peuvent varier directement sur la production de BTU

N° DE MODÈLE	TAUX BTU/HEURE TYPE DE GAZ	POSITION NORMALE DE FONCTIONNEMENT	DISTANCES DE DÉGAGEMENT AUTOUR DES COMBUSTIBLES	
HS125NG	125 000	VERTICALE	48 po	60 po
HS125LP	125 000*	VERTICALE	48 po	60 po
	NATUREL GAZ PROPANE		HAUT	CÔTÉS ARRIÈRE

N'excédez pas les pressions d'admission de gaz indiquées sur les plaques signalétiques. Les pressions d'admission maximale et minimale (pour le réglage de l'admission) pour le gaz propane liquéfié et le gaz naturel sont les suivantes :

DÉGAGEMENT (Distances de dégagement autour de matériaux combustibles)

Tout processus de combustion requiert de l'oxygène et peut produire du monoxyde de carbone. L'appareil de chauffage doit être utilisé en présence d'une aération adéquate. L'endroit où l'appareil est mis en marche doit comporter deux ouvertures qui donnent directement vers l'extérieur, soit une basse et une haute, de préférence sur des côtés opposés de la pièce. Chacune de ces ouvertures doit permettre au moins 3 pouces carrés de prise et de sortie d'air pour chaque 1 000 BTU/heure consommé par l'appareil de chauffage afin de compléter le processus de combustion/ventilation. Veuillez assurer une meilleure ventilation si des appareils à combustible ou des personnes supplémentaires se trouvent dans la même pièce que l'appareil de chauffage.

La circulation d'air et le flux de combustion ne doivent pas être ralentis. N'UTILISEZ PAS l'appareil dans un endroit fermé.

MISE EN GARDE
LE PRÉSENT APPAREIL N'EST PAS VENTILÉ ET DOIT ÊTRE UTILISÉ SEULEMENT DANS UN ENDROIT BIEN AÉRÉ.

VENTILATION

MESURES DE SÉCURITÉ

N'utilisez pas l'appareil de chauffage dans un endroit où de l'essence ou autres liquides qui dégagent des vapeurs inflammables sont entreposés ou utilisés.

Cet appareil de chauffage est destiné à être utilisé sur les chantiers de construction, conformément à la norme ANSI Z83.7 / CGA 2.14 - 2000. Nous ne pouvons pas prévoir toutes les possibilités d'utilisation de nos appareils de chauffage. SI VOUS AVEZ DES QUESTIONS QUANT AUX DIFFÉRENTES UTILISATIONS POSSIBLES, VEUILLEZ COMMUNIQUER AVEC VOTRE SERVICE DES INCENDIES LOCAL. Pour certaines applications, d'autres normes régissent l'utilisation de gaz combustibles et d'appareils de chauffage. Demandez à votre commission locale pour obtenir de plus amples informations à ce sujet.

Le présent appareil de chauffage est principalement destiné à chauffer les structures en construction ou en réparation.

MISE EN GARDE

La combustion de sous-produits générée durant l'utilisation du présent produit dégage du monoxyde de carbone, un produit chimique qui, selon l'état de Californie, peut être cause de cancer et de malformations congénitales (ou autres anomalies liées au système reproducteur).

MISE EN GARDE SPÉCIALE POUR L'ÉTAT DE CALIFORNIE



MISE EN GARDE

N'EXCÉDEZ PAS ½ PSI (14 POUCES D'EAU) DE PRESSION À LA VALVE D'ADMISSION DU GAZ.



SPÉCIFICATIONS

N° DE MODÈLE HS125LP HS125NG

TYPE DE GAZ Gaz propane liquéfié Gaz naturel

PRESSION D'ADM. MAX 14 PO D'EAU 14 PO D'EAU

PRESSION D'ADM. MIN 11 PO D'EAU 7 PO D'EAU

PRESSION D'ADMISSION 9.5 PO D'EAU 6 PO D'EAU

MANUEL DE L'UTILISATEUR ET INSTRUCTIONS D'UTILISATION

HEATSTAR

N° de modèles

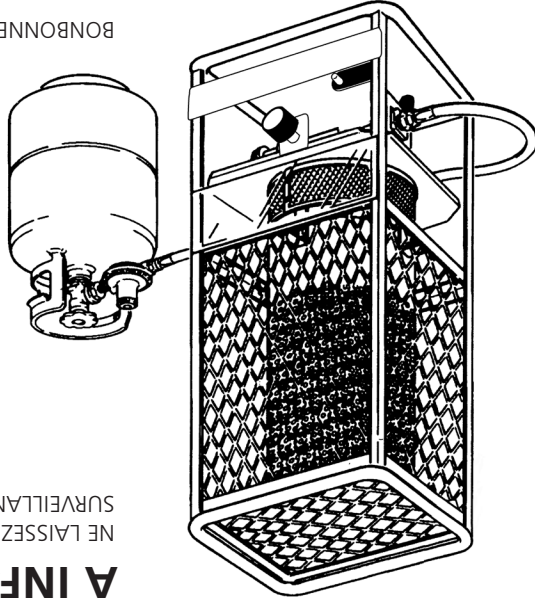
HS125NG, HS125LP

REMARQUE : lisez et suivez les instructions d'utilisation. Rangez le manuel de l'utilisateur dans un endroit sûr aux fins de référence ultérieure. NE LAISSEZ PERSONNE qui n'a pas lu le manuel de l'utilisateur tenter de monter, de mettre en marche, de régler ou de faire fonctionner l'appareil de chauffage.

APPAREIL DE CHAUFFAGE PORTATIF À INFRAROUGE ET AU GAZ

NE LAISSEZ PAS L'APPAREIL DE CHAUFFAGE FONCTIONNER SANS SURVEILLANCE

BONBONNE NON COMPRISE



MISE EN GARDE GÉNÉRALE CONTRE LES RISQUES



LE NON-RESPECT DES PRÉCAUTIONS ET DES INSTRUCTIONS FOURNIES AVEC LE PRÉSENT APPAREIL DE CHAUFFAGE RISQUE D'ENTRAÎNER DES BLESSURES CORPORELLES GRAVES, DES PERTES OU DOMMAGES DE BIENS CAUSÉS PAR LE FEU, DES EXPLOSIONS, DES BRÛLURES, DES ÉLECTROCUTIONS, L'ASPHYXIE, L'EMPOISONNEMENT AU MONOXYDE DE CARBONE OU LA MORT. SEULES LES PERSONNES COMPRENNANT ET POUVANT SUIVRE LES INSTRUCTIONS DEVAIENT UTILISER LE PRÉSENT APPAREIL DE CHAUFFAGE.

SI VOUS DÉSIREZ OBTENIR DE L'AIDE OU DES INFORMATIONS SUR LE PRÉSENT APPAREIL, COMME DES MODES D'EMPLOI, DES ÉTIQUETTES, ETC., VEUILLEZ COMMUNIQUER AVEC LE FABRICANT.

MISE EN GARDE



RISQUE D'INCENDIE, DE BRÛLURE, D'INHALATION DE SUBSTANCES TOXIQUES ET D'EXPLOSION. TEL QUE MENTIONNÉ DANS LE MANUEL DE L'UTILISATEUR, VEUILLEZ GARDER LES COMBUSTIBLES SOLIDES TELS QUE LES MATÉRIAUX DE CONSTRUCTION, LE PAPIER OU LE CARTON À DISTANCE DE L'APPAREIL DE CHAUFFAGE. N'UTILISEZ JAMAIS L'APPAREIL DE CHAUFFAGE DANS DES ENDROITS OÙ IL Y A OU IL PEUT Y AVOIR DES COMBUSTIBLES VOLATILES OU DES PRODUITS TELS QUE DE L'ESSENCE, DES SOLVANTS, DES DILUENTS, DES PARTICULES DE POUSSIÈRE OU DES PRODUITS CHIMIQUES INCONNUS.

MISE EN GARDE : LE PRÉSENT APPAREIL N'EST PAS DESTINÉ À ÊTRE UTILISÉ DANS UN DOMICILE OU UN VÉHICULE RECRÉATIF.

