

**UKINOX SPECIFICATIONS**

**MODEL D376.50.50**

UNDERMOUNT TYPE

**GENERAL**

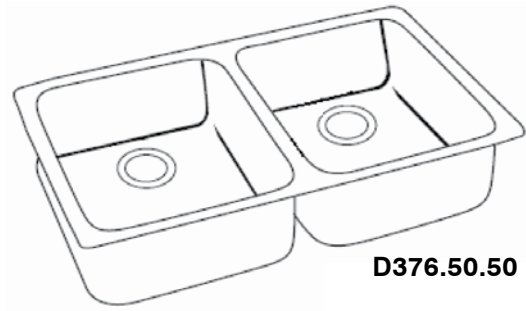
Fine quality sink bowl formed of 18 gauge  
Type 304 18/10 nickel bearing stainless steel

**DESIGN FEATURES**

- Bowl Depth: 10"
- Large bowl with a 10" deep Small bowl
- Finish: European Finish
- Underside: Sound absorbing pads and special paint applied to dampen sound
- Drain Openings: 3-1/2"

Sinks include all basket strainers, mounting hardware and template.

**PROTECT YOUR SINK!** Grids prolong the life of your sink's finish.



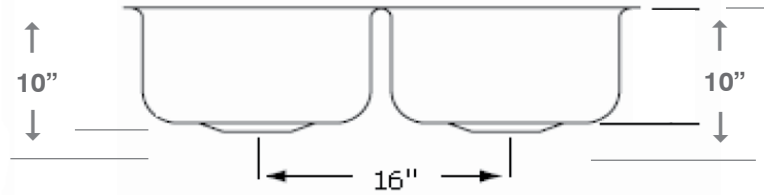
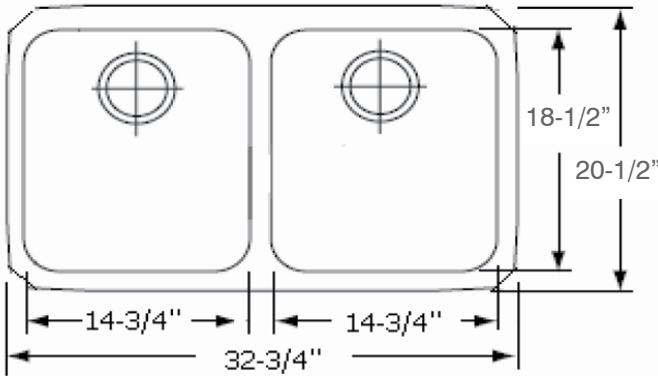
**D376.50.50.10** (both bowls 10" deep)

**OPTIONAL ACCESSORIES**

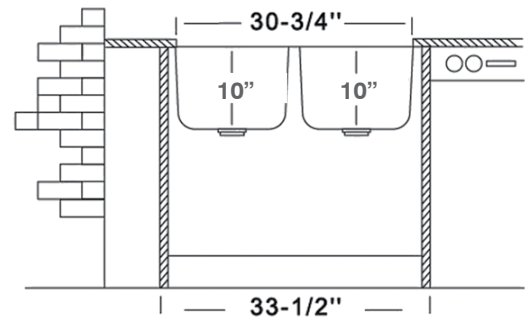
(for both bowls)

- GR376SS** Stainless Steel Bottom Grid
- RB376SS** Stainless Steel Rinsing Basket
- CB376HW** Wood Cutting Board

**SINK DIMENSIONS (INCHES)**



**Minimum Cabinet Size 33"**  
**Ship Weight 20 Lbs**



**Installer Notes:** Ukinox always recommends that you give the sink to the granite fabricator. If you are going to use a cutting board, provide that to the fabricator as well. Please note that we do include a template with each sink, but there can always be a slight variation. In addition, many of our templates are perforated so you can tear off the perforation for cutting board applications.



\*Template and countertop mounting clips are packed with every sink

Ukinox reserves the right to change product specifications without notice.