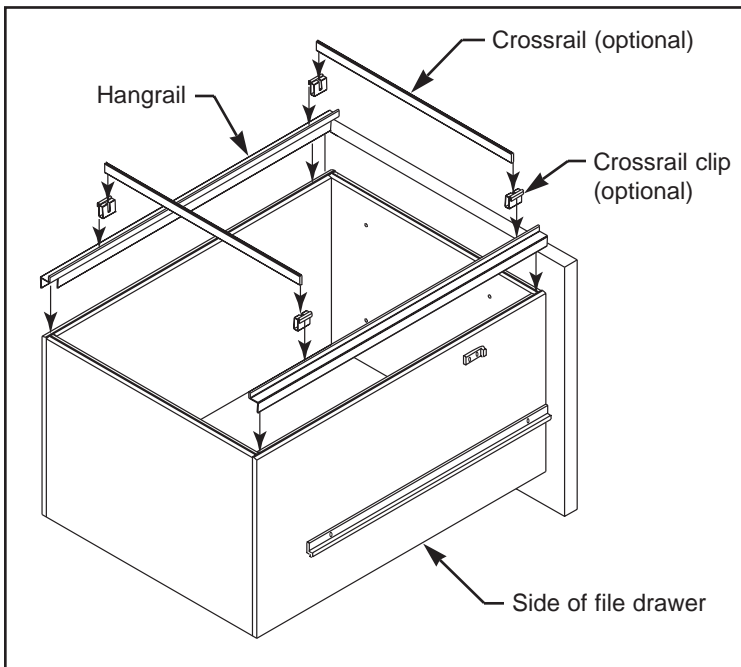


# HANGRAILS

Illustration 1



Read all instructions and review illustrations before installing.

Tools required for assembly:  
None

This assembly includes:  
Hangrail (2 per drawer)  
Crossrail Clip (optional - 4 per drawer)  
Crossrail (optional - 2 per drawer)

## NOTE

The illustration shows the drawer removed, but installation of hangrails can be done with the drawer(s) installed. It is not required to remove drawer(s).

**Hangrail and optional crossrail installation (refer to Illustration 1):**

1. Open file drawer completely.
2. Install hangrails onto top edge of each drawer side.
3. Position hangrail clips onto hangrails as shown and insert crossrails into notches in hangrail clips.
4. Firmly press down on hangrail clips to lock clips in place.
5. Slide crossrails, forward or rearward, to adjust placement of crossrails. Adjust placement of crossrails to the width of the file folders used.

**INSTALLATION INSTRUCTIONS**