

STACK-ON UNIT

INSTALLATION INSTRUCTIONS

Illustration 1

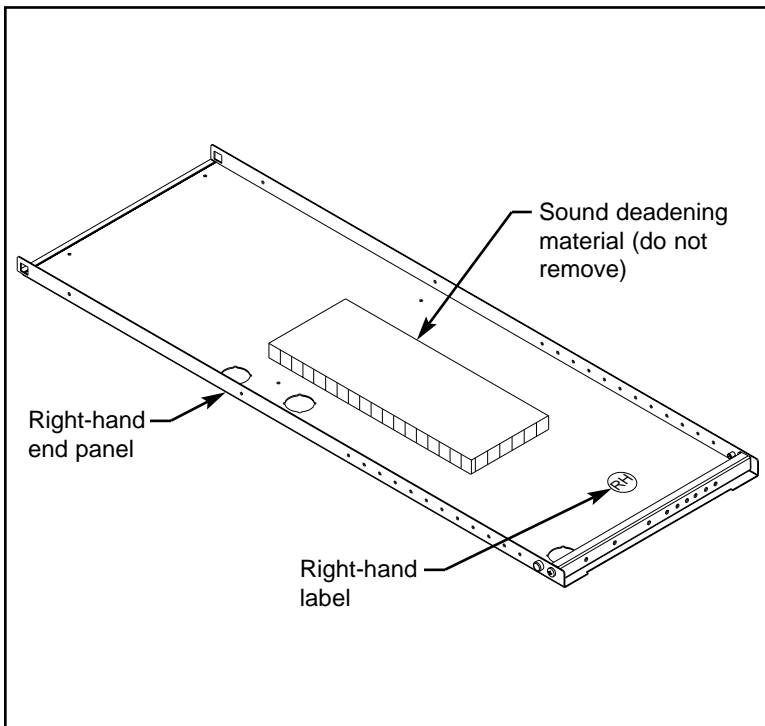
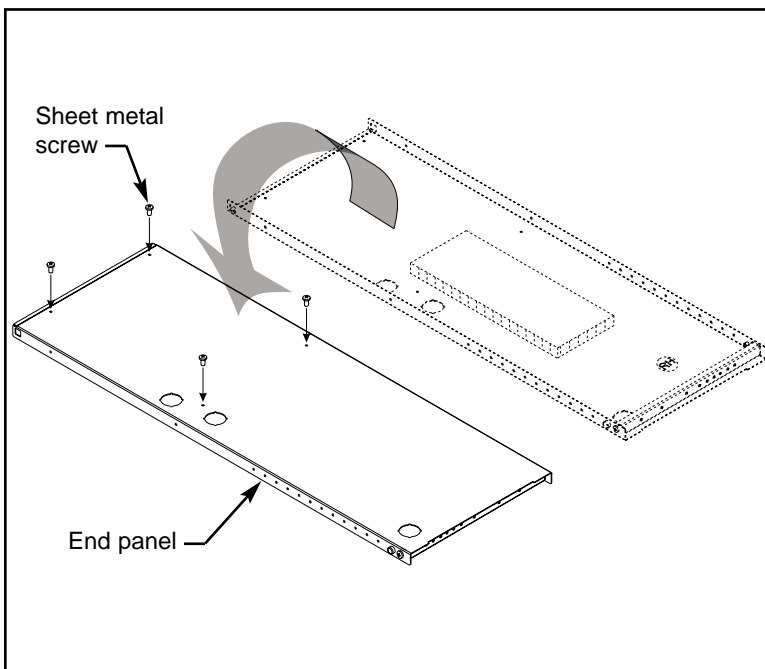


Illustration 2



Read all instructions and review illustrations before installing.

Tools required for assembly:	
Phillips screwdriver	Mallet
$\frac{9}{64}$ " Allen wrench (provided)	

This assembly includes:	
(1) RH end panel	(1) LH end panel
(2) End panel cover	(1) Back
(1) Bottom shelf	(1) Top shelf
(2) Mounting bracket	(4) Machine screw
(12) Sheet metal screw	(2) Washer plate
(12) Grommet half	(4) Hex nut
(1) $\frac{9}{64}$ " Allen wrench	

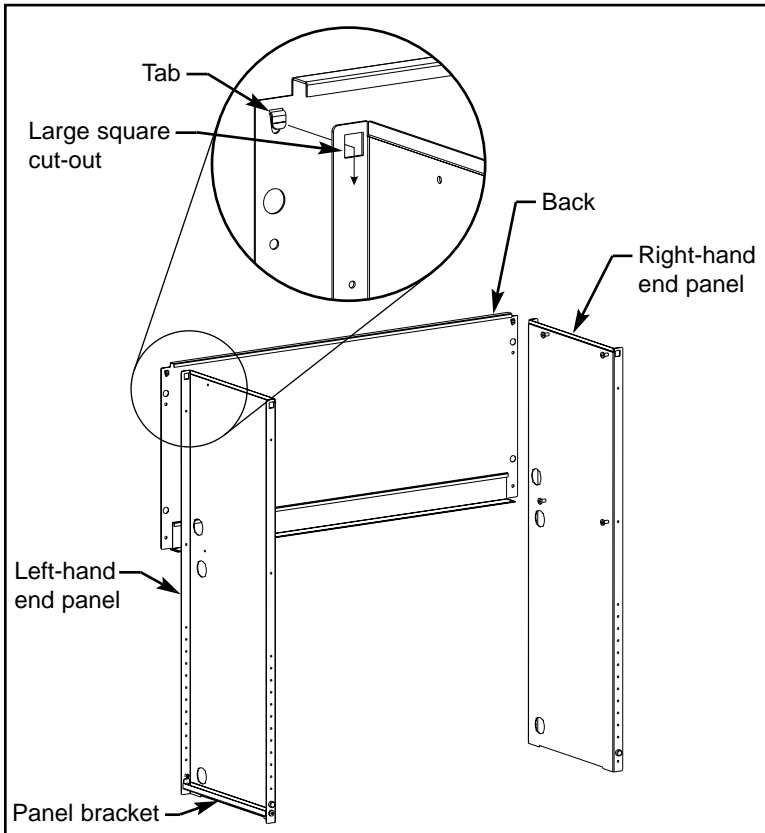
⚠ WARNING
Sharp edges may cause injury. Take care when handling metal parts.

IMPORTANT
Assembly hardware is located in a padded pack. Be sure to locate hardware pack before discarding any packaging materials. Pieces of honeycomb cardboard glued to interior walls of end panels (refer to Illustration 1) is designed to reduce unwanted sound caused by ordinary use of stack-on unit. Do not remove this sound deadening material.

- Installation:**
1. Refer to Illustration 1. Identify the right-hand end panel by locating the RH label affixed to the interior wall of the end panel.
 2. Refer to Illustration 2. Lay right-hand end panel, flat surface up, onto a piece of cardboard or a carpeted surface. Use the Phillips screwdriver to install four sheet metal screws (from hardware pack) into holes in flat surface of end-panel. Do not fully tighten screws. Leave approximately an $\frac{1}{8}$ " gap between wall of end panel and head of screw.
 3. Repeat Steps 1 and 2 for left-hand end panel.

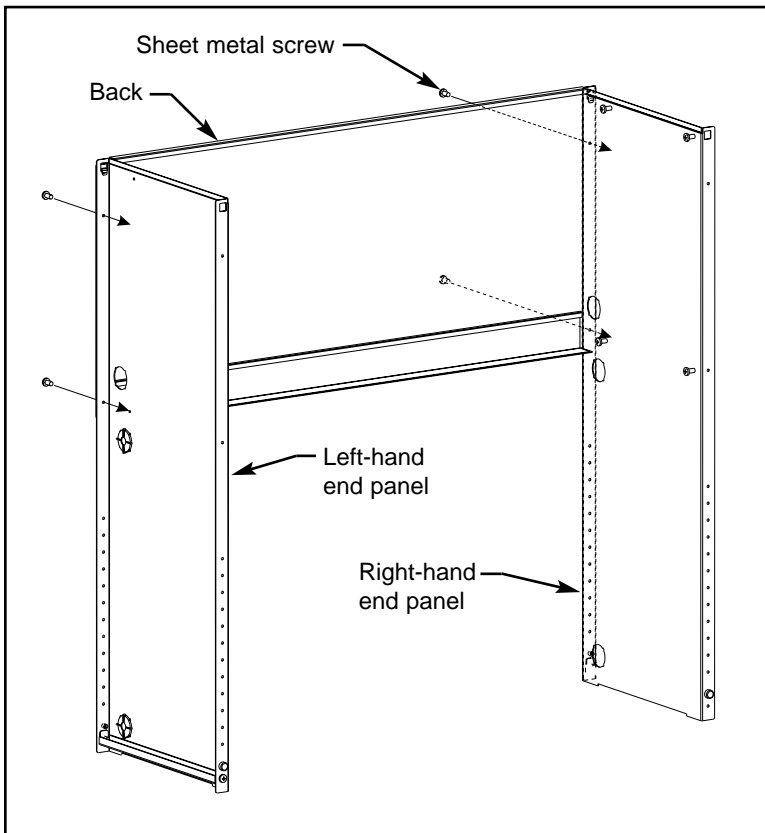
STACK-ON UNIT

Illustration 3



4. Refer to Illustration 3. Use an assistant to position end panels. With panel brackets down and large square cut-outs facing toward back, position end panels with flat surface facing each other and approximately the width of the back apart. Locate tabs in upper corners of back. Hook tabs into large square cut-outs at top rear edge of each end panel.

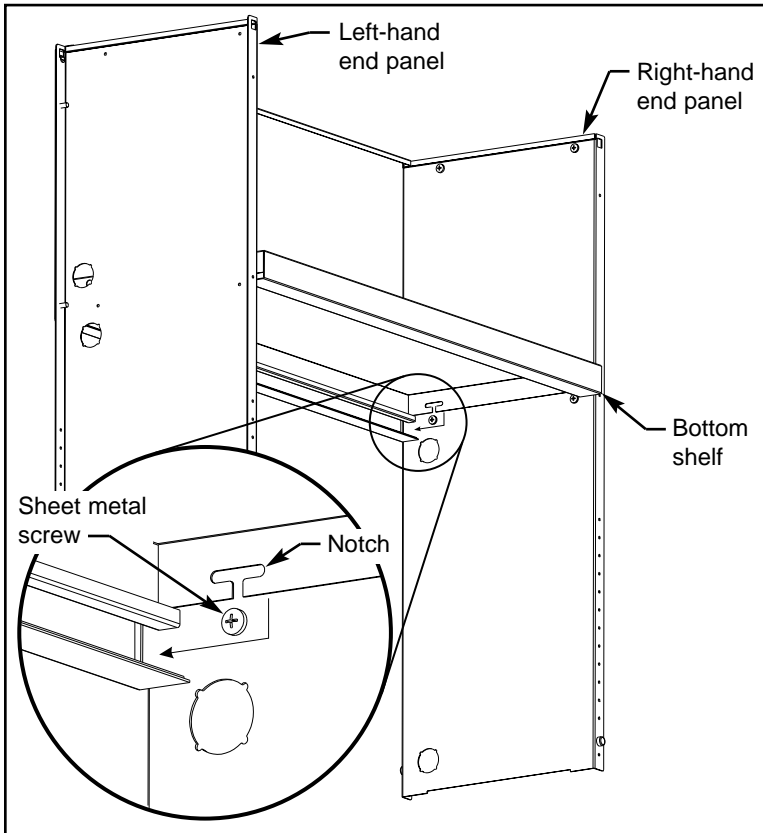
Illustration 4



5. Refer to Illustration 4. Use the Phillips screwdriver to install four sheet metal screws (from hardware pack) through holes in back and into holes in rear edge of end panels. Fully tighten screws.

STACK-ON UNIT

Illustration 5



NOTE

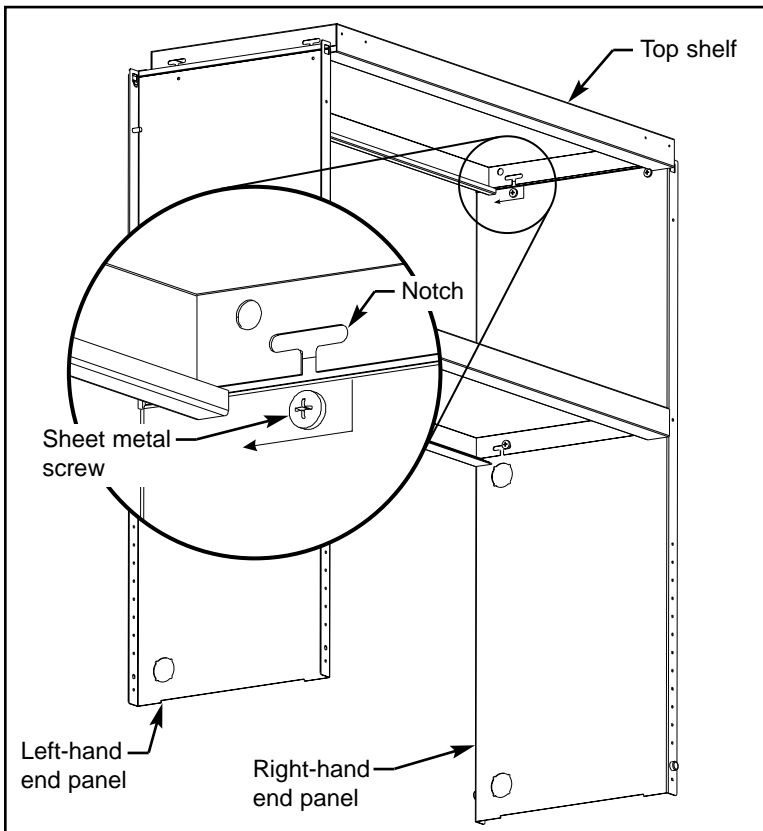
The bottom shelf is designed for either a flipper door or non-flipper door application. If installing flipper door(s), install bottom shelf with notch(s) (along front edge of bottom shelf) facing out. Notch(s) accommodate the flipper door lock mechanism. If flipper door(s) are not being installed, install bottom shelf with notch(s) facing toward rear of stack-on unit.

6. Refer to Illustration 5. With flat surface facing up, insert bottom shelf between end panels just above bottom set of sheet metal screws (installed into flat surface of each end panel).

Locate two notches cut into each side wall of bottom shelf. Insert end panel sheet metal screws into bottom shelf notches and push shelf rearward. Ensure sides of bottom shelf are between the heads of the sheet metal screws and the end panels.

Do not tighten sheet metal screws at this time.

Illustration 6



NOTE

The top shelf is designed for either a flipper door or non-flipper door application. If installing flipper door(s), install top shelf with door mounting holes (along front edge of top shelf) facing out. If flipper door(s) are not being installed, install top shelf with door mounting holes facing towards rear of stack-on unit.

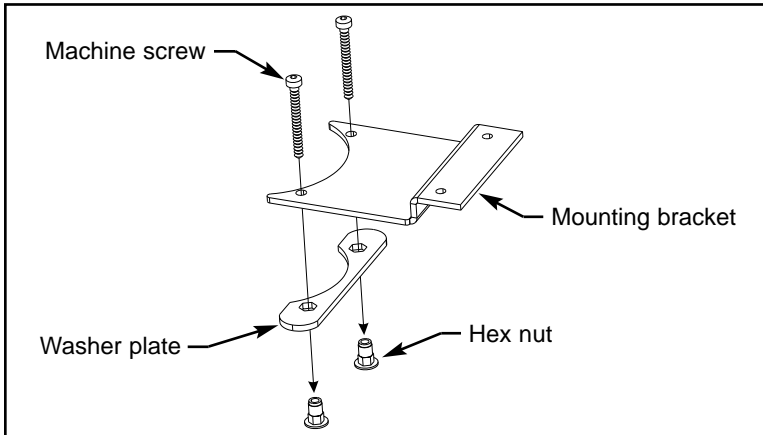
7. Refer to Illustration 6. With flat surface facing up, insert top shelf between end panels just above top set of sheet metal screws (installed into flat surface of each end panel).

Locate two notches cut into each side wall of top shelf. Insert end panel sheet metal screws into top shelf notches and push shelf rearward. Ensure sides of top shelf are between the heads of the sheet metal screws and the end panels.

8. Use the Phillips screwdriver to fully tighten all sheet metal screws securing top and bottom shelves to end panels.

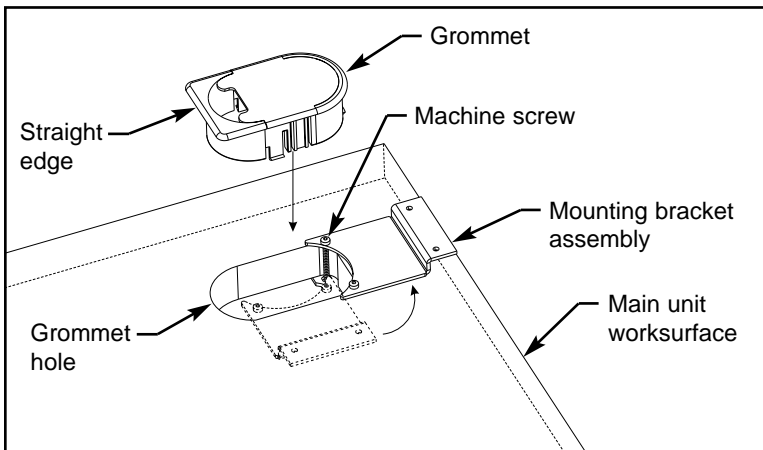
STACK-ON UNIT

Illustration 7



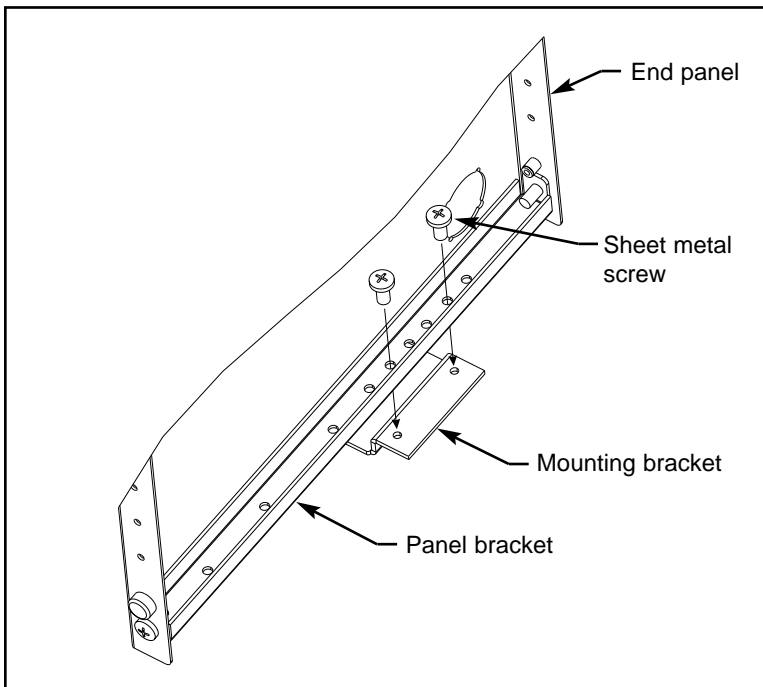
9. Refer to Illustration 7. Loosely assemble a mounting bracket, two machine screws, a washer plate, and two hex nuts (all from hardware pack). Repeat this procedure to assemble a second mounting bracket assembly.

Illustration 8



10. Refer to Illustration 8. If necessary, remove grommet from main unit worksurface grommet hole. Install mounting bracket assembly into the worksurface grommet hole as shown. Pivot mounting bracket against side edge of grommet hole. Ensure washer plate is below the main unit worksurface. With straight edge facing away from mounting bracket (toward center of worksurface), (re)install grommet into grommet hole. Use the $\frac{9}{64}$ " Allen wrench (from hardware pack) to fully tighten machine screws. Repeat this procedure to install remaining mounting bracket assembly onto opposite end of main unit worksurface.

Illustration 9



11. Refer to Illustration 9. Use two or more people to set assembled portion of stack-on unit upright onto main unit. Position rear edge of end panels along rear edge of worksurface and align holes in panel bracket with holes in mounting bracket. Use the Phillips screwdriver to install two sheet metal screws (from hardware pack) through each of the panel brackets and into mounting brackets. Fully tighten screws.

⚠ WARNING

To prevent stack-on unit from tipping over, it is extremely important that screws securing end panels to mounting brackets be tight. Failure to follow this warning or improper installation of stack-on unit can result in severe personal injury or property damage.

STACK-ON UNIT

Illustration 10

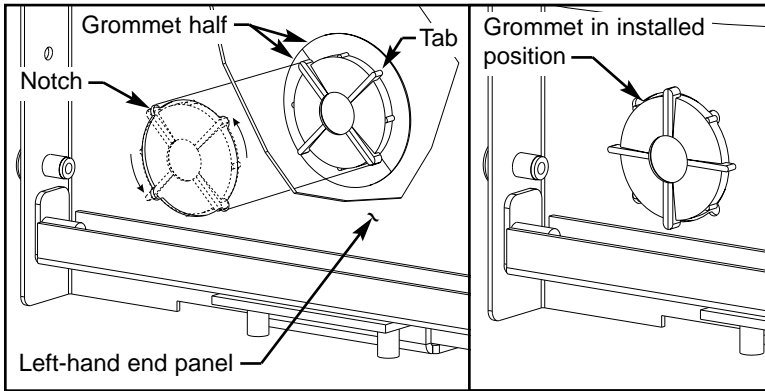
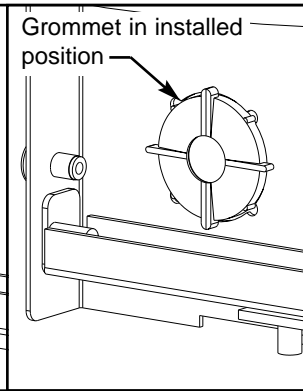
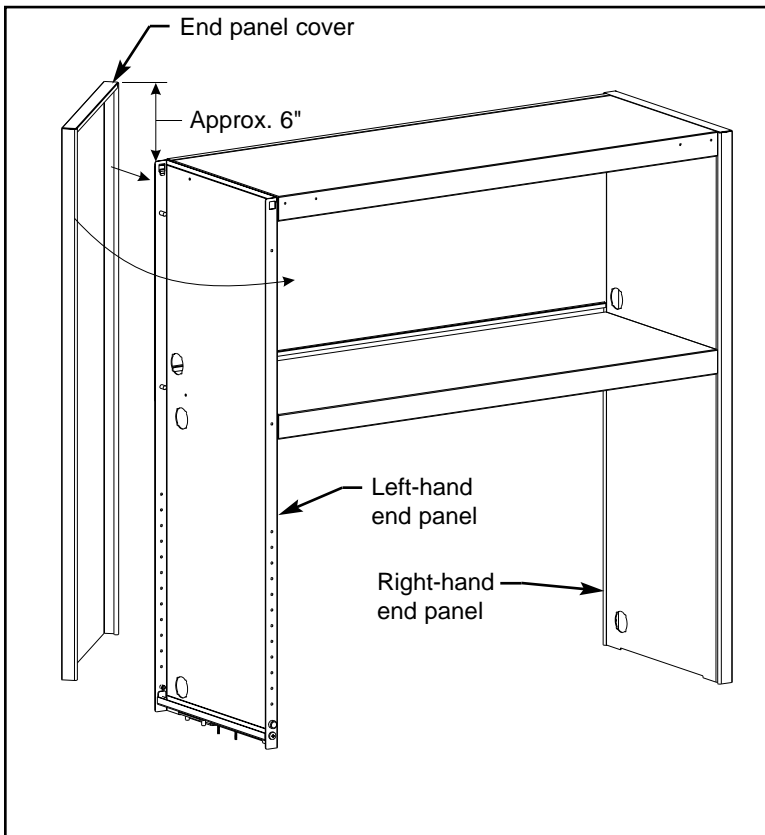


Illustration 11



12. Refer to Illustration 10. Install wire management grommets (from hardware pack), in three locations, on each end panel. Place tab of each grommet half into grommet hole notch. Twist whole grommet $\frac{1}{8}$ " turn (or 45°) to lock grommet in place. Refer to Illustration 11 for installed position.

Illustration 12

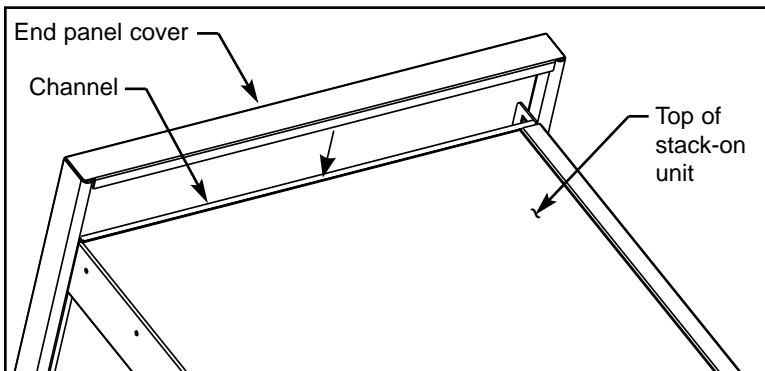


NOTE

End panel covers are interchangeable. Each end panel cover will fit either end panel.

13. Refer to Illustration 12. With top of end panel cover approximately 6" above top of end panel, position rear edge of end panel cover over rear edge of end panel. Pivot front edge of end panel cover toward front edge of end panel. Carefully press front edge of end panel cover over the front edge of end panel until end panel cover snaps into place.

Illustration 13



14. Refer to Illustration 13. Slide end panel cover down until bottom edge of end panel cover rests against main unit worksurface. Ensure top edge of end panel cover inserts into channel along top edge of stack-on unit.
15. Repeat Steps 13 and 14 to install second end panel cover over remaining end panel.
16. If installing flipper doors, refer to the Flipper Door Installation Instructions to install doors now.

STACK-ON UNIT

Illustration 14. Typical Wire Management:

