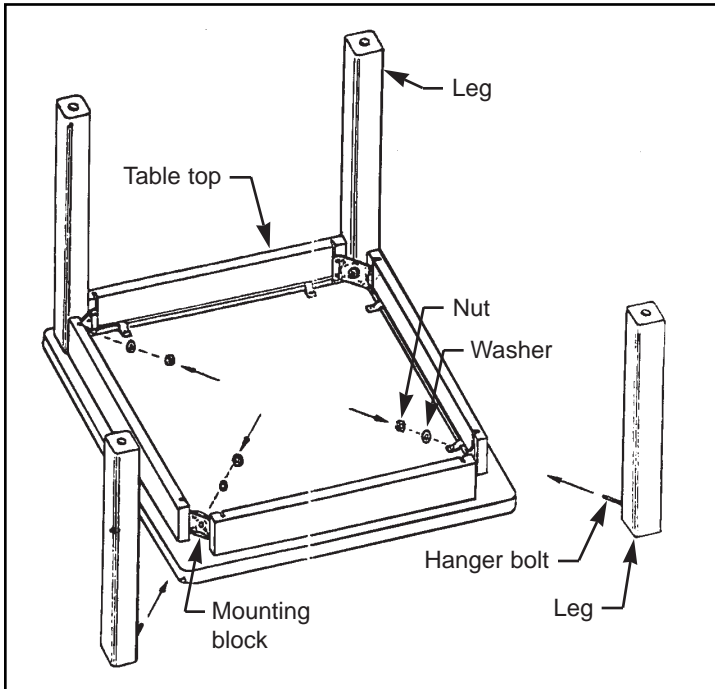


OCCASIONAL TABLE

Illustration 1



Read all instructions and review illustrations before installing.

Tools required for assembly:

$\frac{7}{16}$ " wrench

$\frac{1}{4}$ " hex head screwdriver

This assembly includes:

(1) Table top

(4) Leg

(4) Washer

(4) Nut

Installation (refer to Illustration 1):

1. Lay table top, bottom side up, on cardboard or a carpeted surface. This is to prevent damage to the top finish.
2. Use the $\frac{1}{4}$ " hex head screwdriver to remove screws and washers securing leg pack to bottom of table top. Remove legs and hardware pack from leg pack.
3. Locate mounting block attached to each corner of table top.
4. Remove protective cover from a leg hanger bolt and position leg against a mounting block as shown. Insert leg hanger bolt through hole in mounting block.
5. Install a washer and nut (from hardware pack) onto end of leg hanger bolt. Use the $\frac{7}{16}$ " wrench to tighten nut. **DO NOT** over-tighten nut or product damage may occur.
6. Repeat Steps 4 and 5 for remaining legs.
7. Set table upright and position table where it will be used.

INSTALLATION INSTRUCTIONS