

# FLUSH RETURN

# INSTALLATION INSTRUCTIONS

Illustration 1

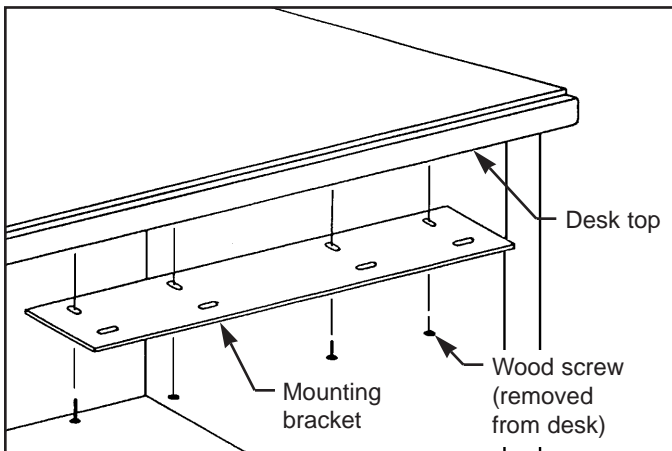
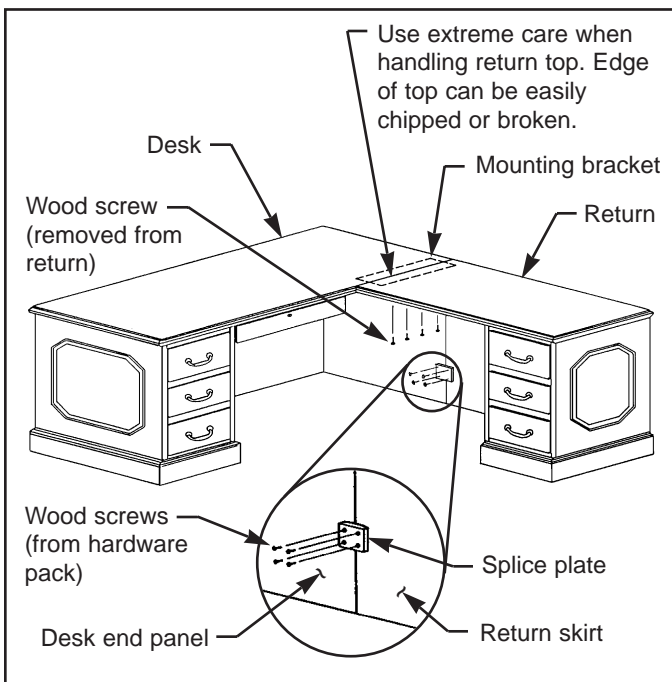


Illustration 2



Read all instructions and review illustrations before installing.

Tools required for assembly:  
1/4" hex head screwdriver

This assembly includes:  
(4) Wood screws (1) Splice plate

## ⚠ WARNING

Wood products are heavier than they appear and may be hard to control when moving. Use two or more people when moving wood products or severe personal injury may result.

These returns are designed to be used with single pedestal desks 66" and larger, and corner units. Do not use this return alone. Failure to observe this warning or improper installation can cause unit to tip resulting in severe personal injury.

## IMPORTANT

Use extreme care when handling return. Edge of work surface can be easily chipped or broken.

### Installation:

1. Use two or more people to position desk where it will be used and adjust leveling glides (if applicable) to level desk (side-to-side and front-to-rear).
2. Refer to Illustration 1. Use the 1/4" hex head screwdriver to remove four wood screws from bottom front edge of desk top.
3. Use the 1/4" hex head screwdriver to remove four wood screws and mounting bracket from bottom of return top. Save wood screws and mounting bracket for later use.
4. Refer to Illustration 1. Use the 1/4" hex head screwdriver to attach mounting bracket to desk with four wood screws (removed from desk). Fully tighten screws.
5. Refer to Illustration 2. Use two or more people to place return onto mounting bracket. Use the 1/4" hex head screwdriver to attach return to mounting bracket with four wood screws (removed from return). **Do not** fully tighten screws.
6. Refer to Illustration 2. Align holes in splice plate (from hardware pack) with pre-drilled holes in return skirt and desk end panel. Use the 1/4" hex head screwdriver to install wood screws (from hardware pack) through splice plate and into pre-drilled holes. **Do not** fully tighten screws.
7. Check alignment of return and adjust leveling glides (if applicable) to level return (side-to-side and front-to-rear).
8. Fully tighten all screws.