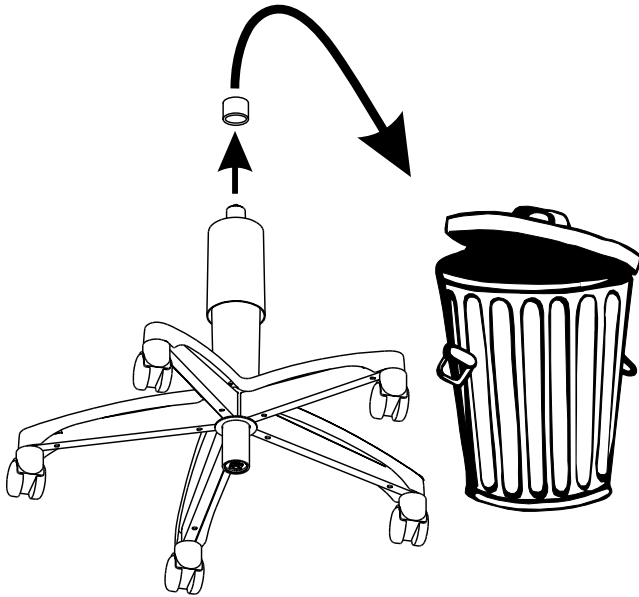
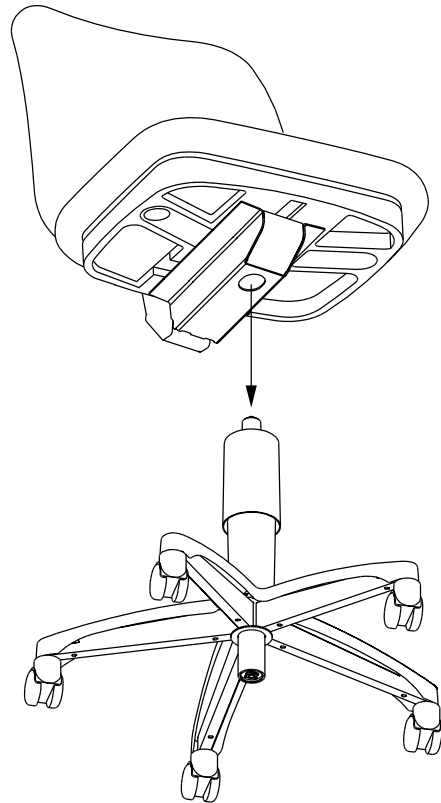


ASSEMBLY INSTRUCTIONS
INSTRUCTIONS D'ASSEMBLAGE
INSTRUCCIONES DE ENSAMBLADO

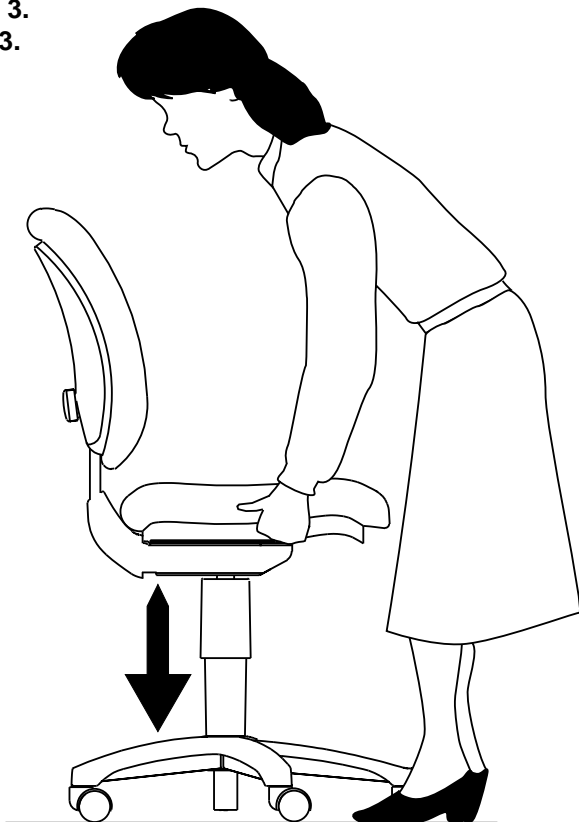
Step 1.
Étape 1.
Paso 1.



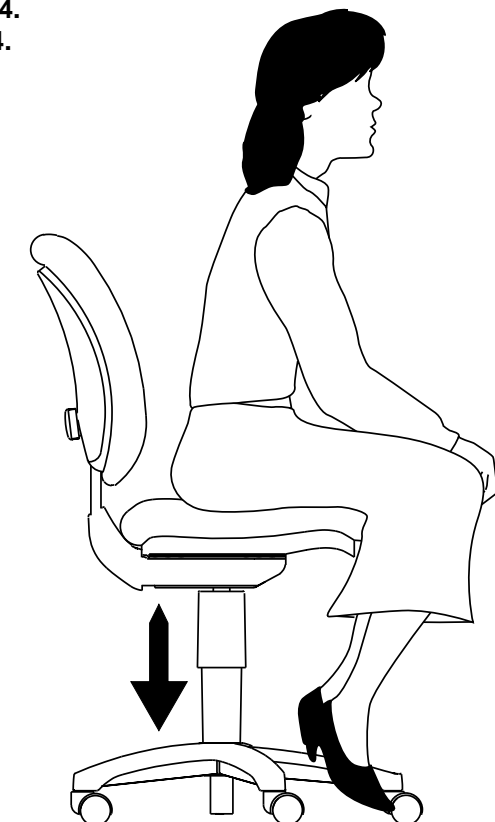
Step 2.
Étape 2.
Paso 2.



Step 3.
Étape 3.
Paso 3.




Step 4.
Étape 4.
Paso 4.



THIS DRAWING IS THE CONFIDENTIAL AND PROPRIETARY INFORMATION (AND IS THE PROPERTY OF) THE ENTITY IDENTIFIED HEREON AND/OR HNI TECHNOLOGIES INC. IT IS SUBMITTED SUBJECT TO RETURN UPON REQUEST AND UPON THE EXPRESS CONDITION THAT THE INFORMATION CONTAINED HEREIN WILL BE IN CONFIDENCE AND WILL BE USED SOLELY FOR THE BENEFIT OF THE OWNERS.

HON THE HON COMPANY		MODEL:		PART NO	DWG REV
TITLE		5901,5903		42-5585	D
INSTRUCTION SHEET		Dwn	KMK 11-12-94	Ckd	12-5-94 LS
		App	2-24-95 LS	Sheet 1 of 1	

① ADDED PICTORIAL OF GAS CYLINDER CAP REMOVAL. (E.C.R. 123631 & REL. NO. 12-4183 MAS) 11/13/00 LMS 

REVISION NOTES

CADD

42-5585