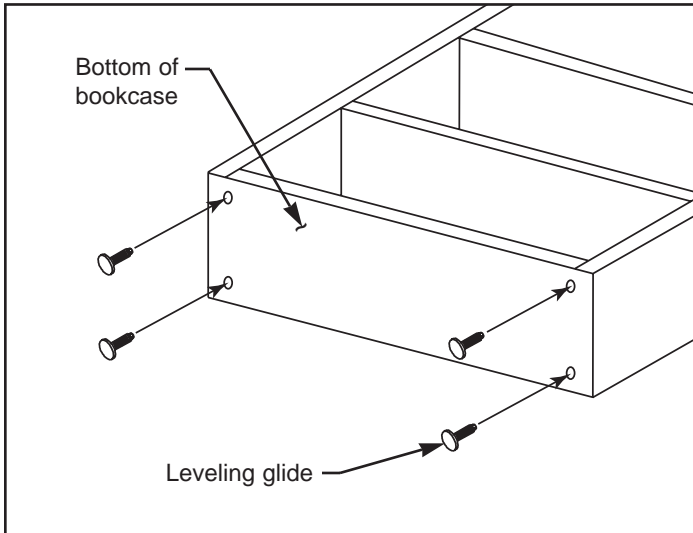


BOOKCASE

INSTALLATION INSTRUCTIONS

Illustration 1



Read all instructions and review illustrations before installing.

Tools required for assembly:
24" long level
Tape measure

Assembly hardware pack contains:
(4) Leveling glide

! WARNING

Wood products are heavier than they appear and may be hard to control when moving. Use two or more people when moving wood products or severe personal injury may result.

Leveling Glide Installation (refer to Illustration 1):

1. Use two or more people to lay bookcase flat on cardboard or a carpeted surface (this is to prevent the finish from being scratched).
2. Insert threaded ends of leveling glides (from hardware pack) into holes in bottom of bookcase.
3. Turn leveling glides clockwise until glides are flat against bottom of bookcase.

Positioning and Leveling Bookcase (refer to Illustration 2):

1. After leveling glides are fully installed, use two or more people to set bookcase upright and position bookcase into the location where it will be used.
2. Adjust the leveling glides, on the bottom of the bookcase, until bookcase is level from side-to-side. Use the 24" long level to verify bookcase is level.
3. Adjust front leveling glides so the front of the bookcase is $\frac{1}{8}$ " higher than the rear. Use the tape measure to verify front of bookcase is $\frac{1}{8}$ " higher.

Illustration 2

