

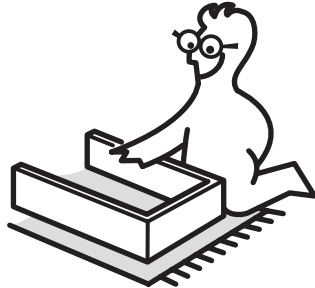
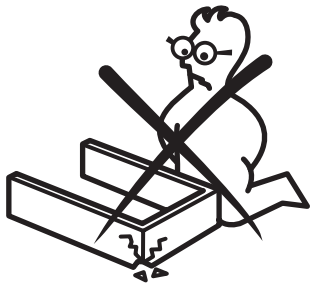
MANHATTAN  
COMFORT



# Eldridge Wardrobe

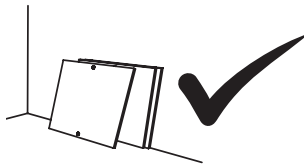
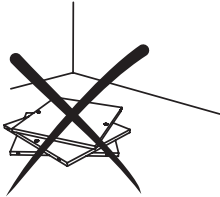
Model # 34150, 34163, 34184



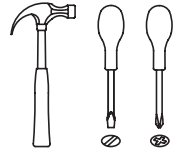


### For Best Results

- Do not throw away packaging materials until assembly is complete
- Assemble item on a soft surface, such as cardboard or carpet, to protect finish
- Proper assembly requires two people



### Tools Required

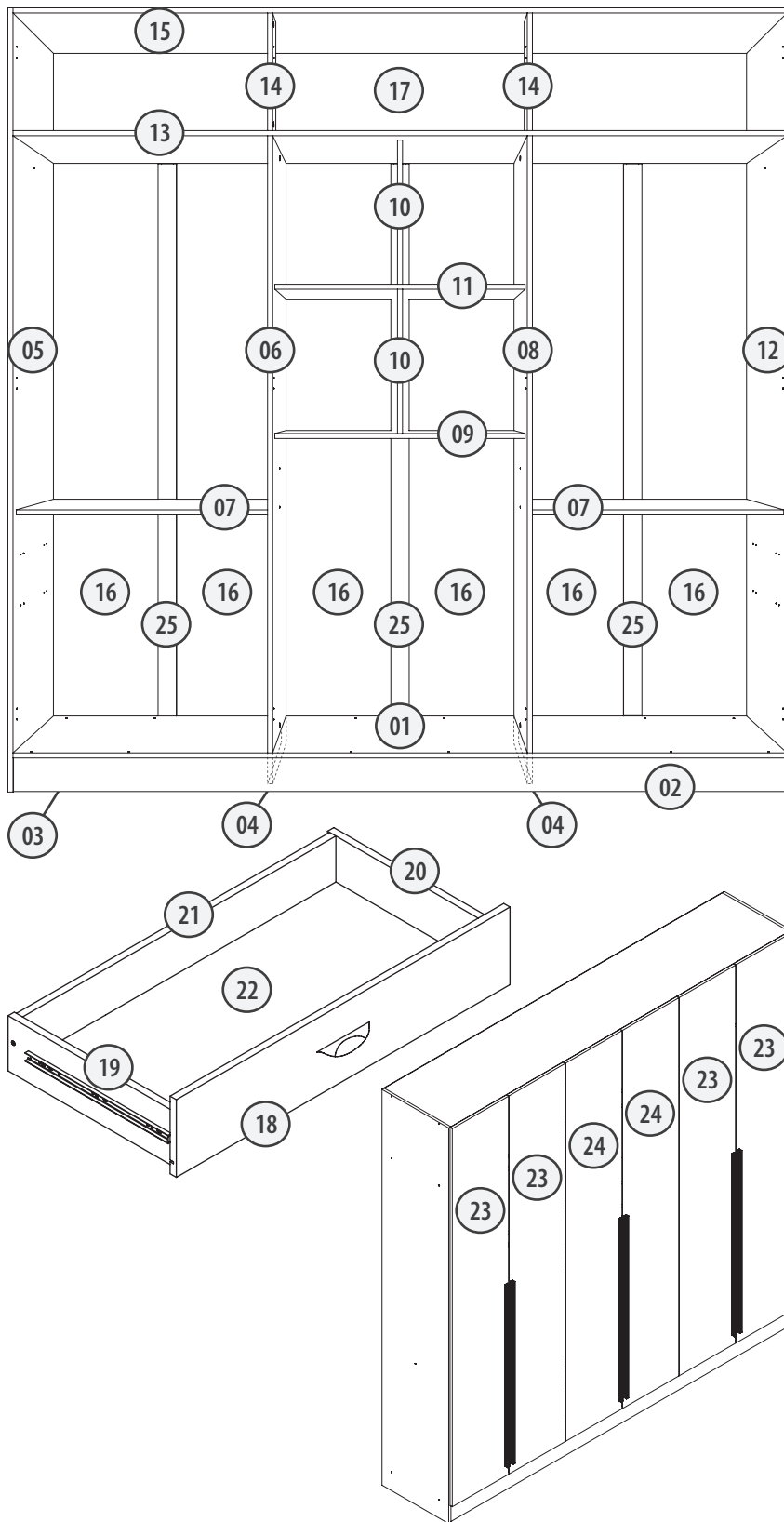


View our assembly video online  
[www.manhattancomfort.com](http://www.manhattancomfort.com)



Stuck? Questions? We are here to help.  
1888-230-2225  
[help@manhattancomfort.com](mailto:help@manhattancomfort.com)

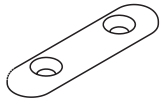
# Included In This Package



- |                             |    |
|-----------------------------|----|
| 01. Baseboard               | x1 |
| 02. Front of Baseboard      | x1 |
| 03. Back of Baseboard       | x1 |
| 04. Baseboard Support Beams | x2 |
| 05. Left Outer Side         | x1 |
| 06. Left Inner Side         | x1 |
| 07. Left and Right Shelves  | x2 |
| 08. Right Inner Side        | x1 |
| 09. Bottom Center Shelf     | x1 |
| 10. Center Divider          | x2 |
| 11. Top Center Shelf        | x1 |
| 12. Right Outer Side        | x1 |
| 13. Top Shelf               | x1 |
| 14. Top Dividers            | x2 |
| 15. Wardrobe Top            | x1 |
| 16. Vertical Backplates     | x6 |
| 17. Horizontal Backplate    | x1 |
| 18. Front of Drawer         | x4 |
| 19. Side of Drawer - Left   | x4 |
| 20. Side of Drawer - Right  | x4 |
| 21. Back of Drawer          | x4 |
| 22. Bottom of Drawer        | x4 |
| 23. Outer Doors             | x4 |
| 24. Inner Doors             | x2 |
| 25. Support Beam            | x3 |

# Included In This Package

---



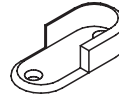
0136



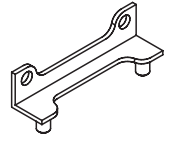
0138



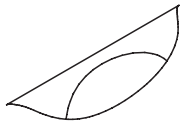
0342



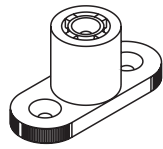
0394



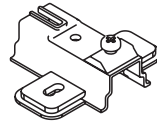
3518



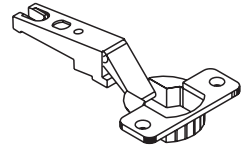
0429



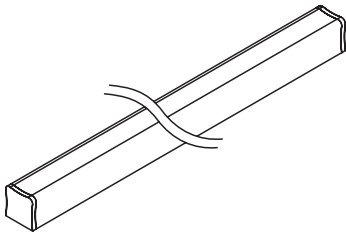
4157



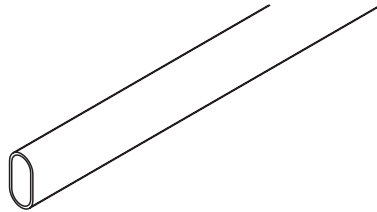
4462



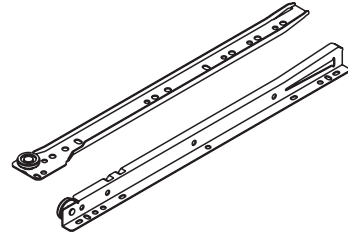
2510



4219



4158



0440



3527



0162



0160



0329



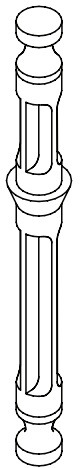
0357



0599

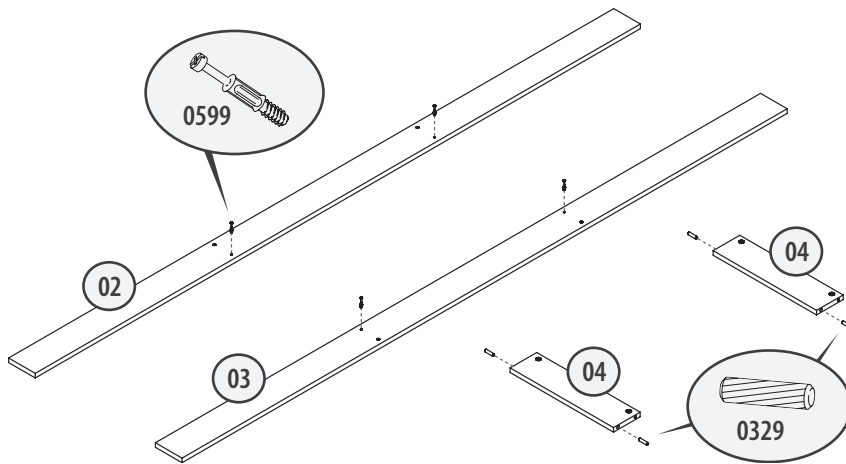


0494



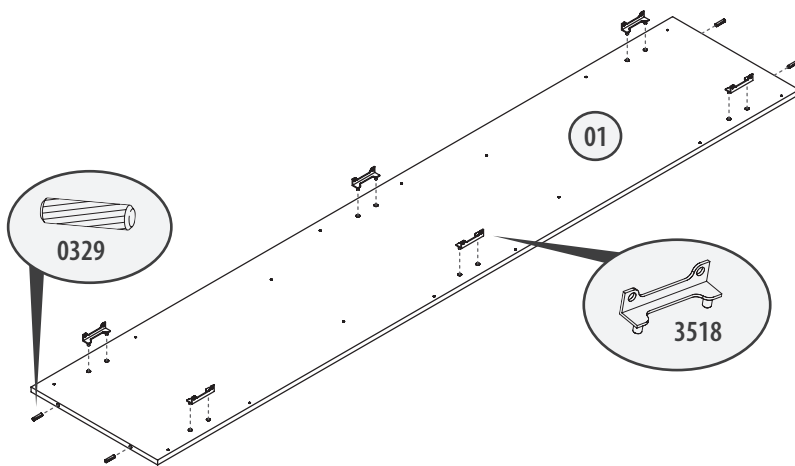
3529

# Baseboard



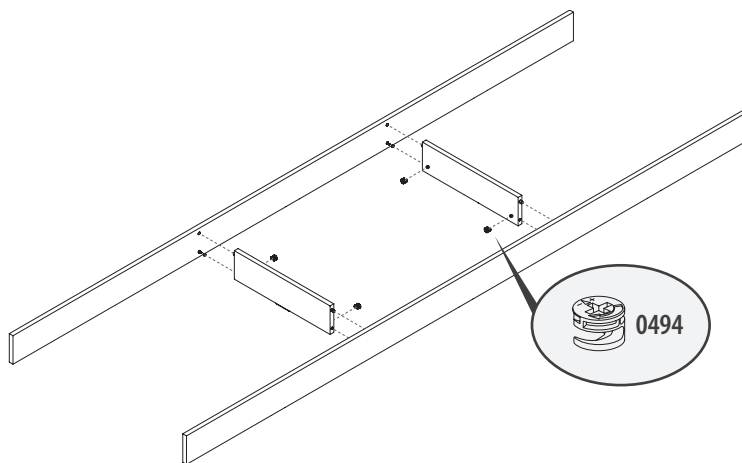
## STEP 1

- Take **02** and **03** and screw 2x**0599** into the bottom of each piece as shown.
- Take 2x**04** and hammer 2x**0329** into each of them.



## STEP 2

- Take **01** and hammer 4x**0329** into the ends.
- Take 6x**3518** and push them into the holes under **01**.

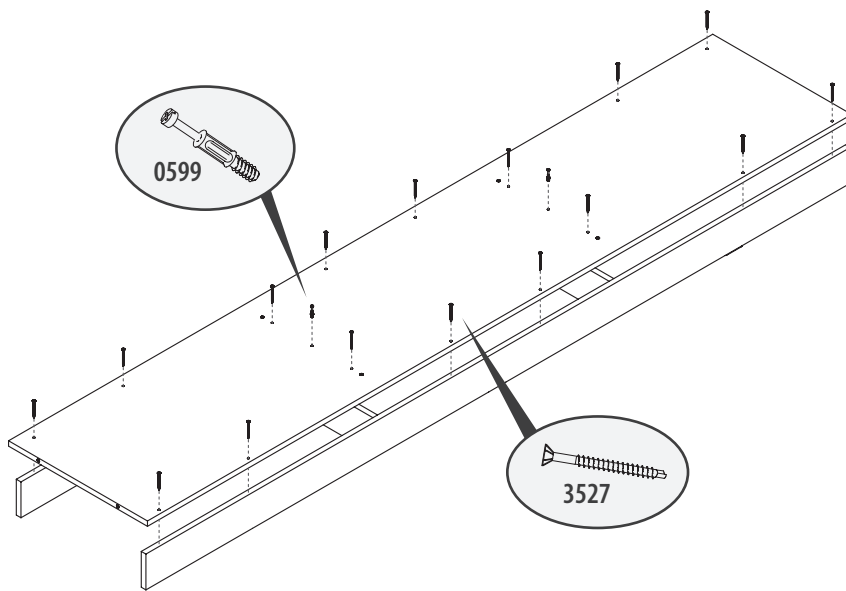


## STEP 3

- Take 2x**04** and place them between **02** and **03** and push them all together.
- Place 2x**0494** in each **04** and screw it in.
- Note: When placing **0494** be sure that the arrow is pointing to the hole in the edge of the wood.

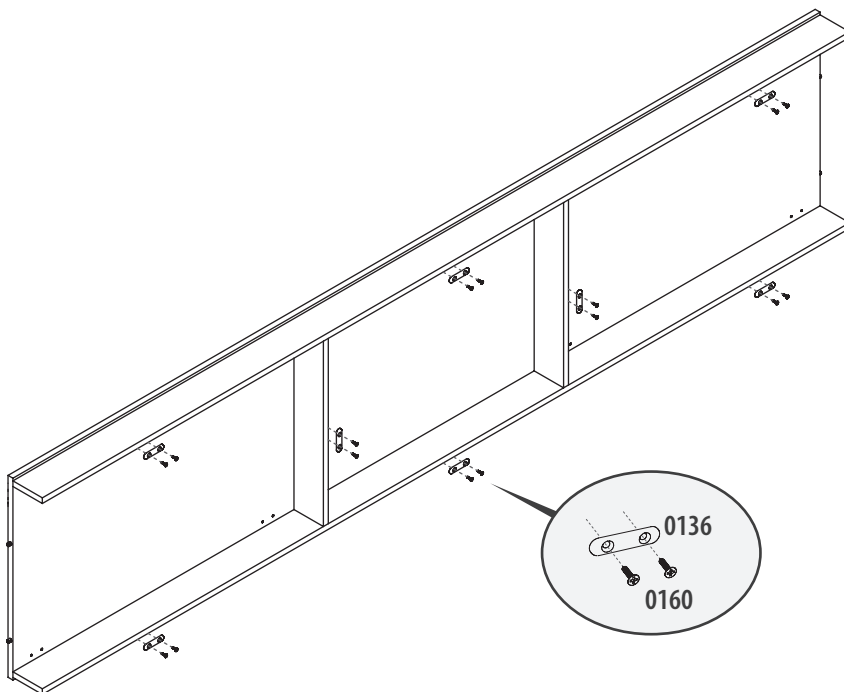
# Baseboard

---



## STEP 4

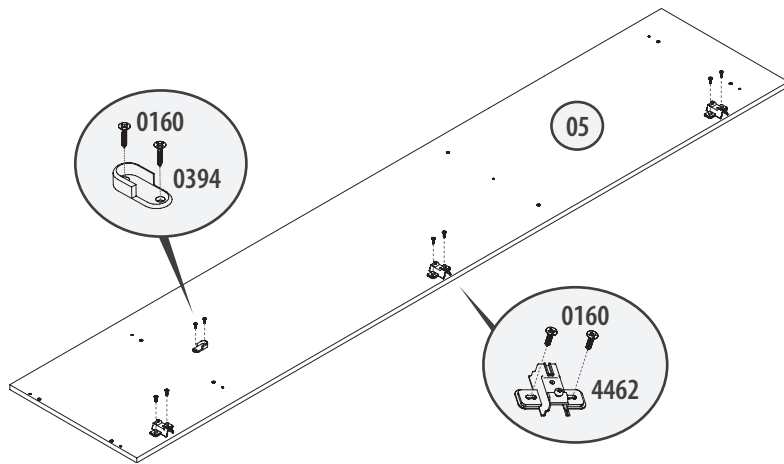
- Place **01** (with the 6x**3518** facing down) on top and screw 16x**3527** as shown.
- Screw 2x**0599** into the middle of **01**.



## STEP 5

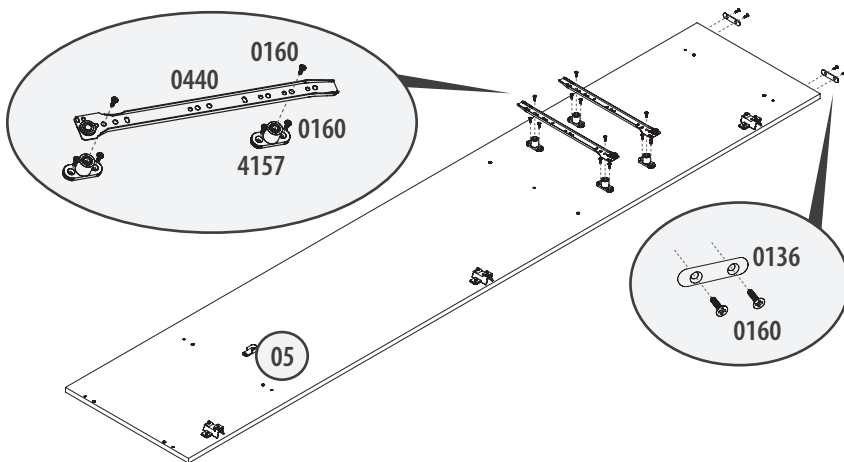
- Flip the baseboard upside down.
- Place 8x**0136** on the bottom of the baseboard and screw 2x**0160** into each.

# Prepare Vertical Pieces



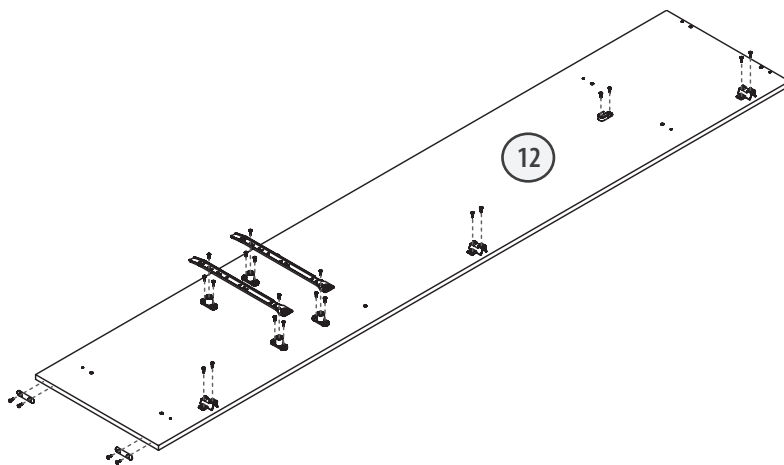
## STEP 6

- Take **05** and place **0394** and screw **2x0160** as shown.
- Take **3x4462** and screw **2x0160** into each of them.



## STEP 7

- Place **4x4157** and screw **2x0160** through each.
- Place **0440** on each of the pairs of **4157** as shown and screw **2x0160** through each as shown.
- Place **2x0136** on the bottom edge and screw **2x0160** through each.



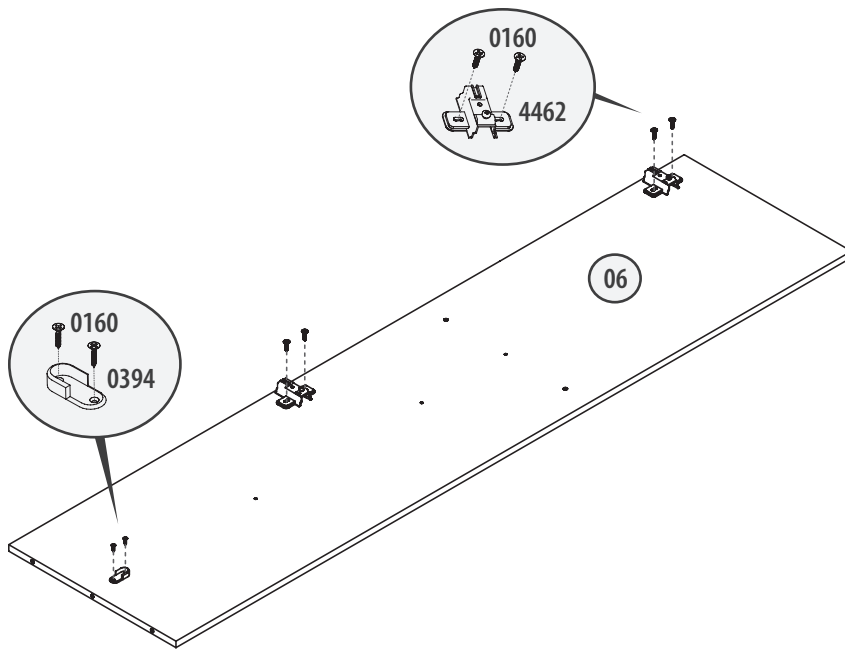
## STEP 8

- Repeat Step 6 and Step 7 on **12**.



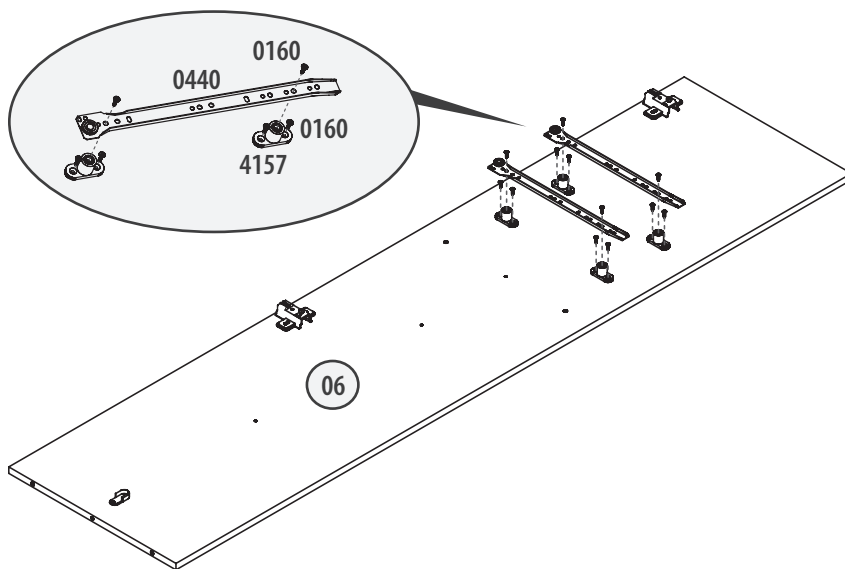
# Prepare Vertical Pieces

---



## STEP 9

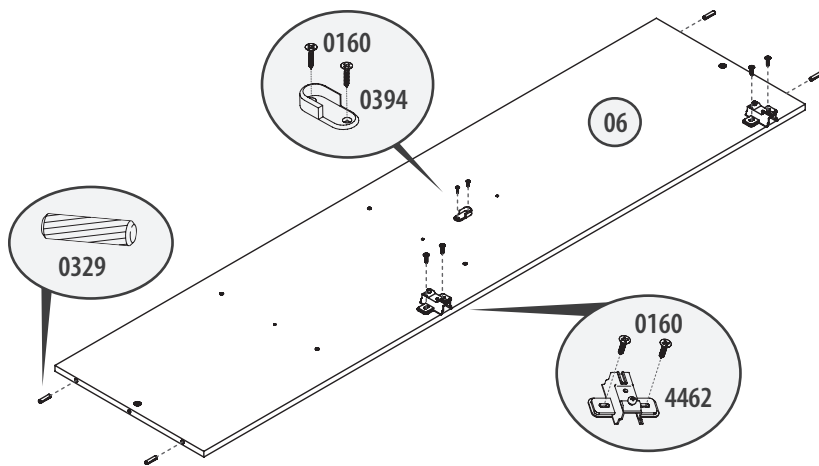
- Take **06** and place **0394** and screw 2x**0160** as shown.
- Place 2x**4462** and screw 2x**0160** through each.



## STEP 10

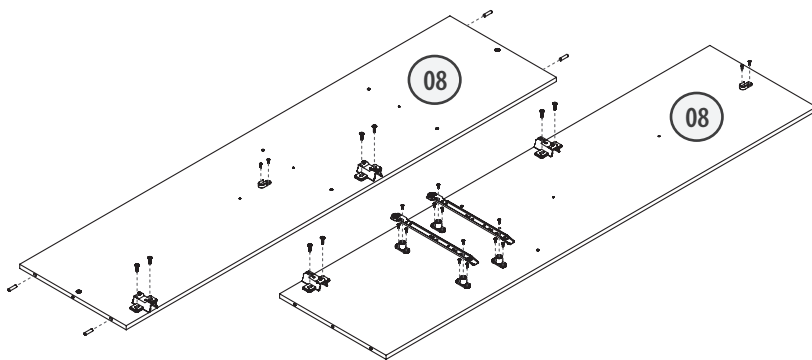
- Place 4x**4157** and screw 2x**0160** through each.
- Place **0440** on each of the pairs of **4157** as shown and screw 2x**0160** through each as shown.

# Prepare Vertical Pieces



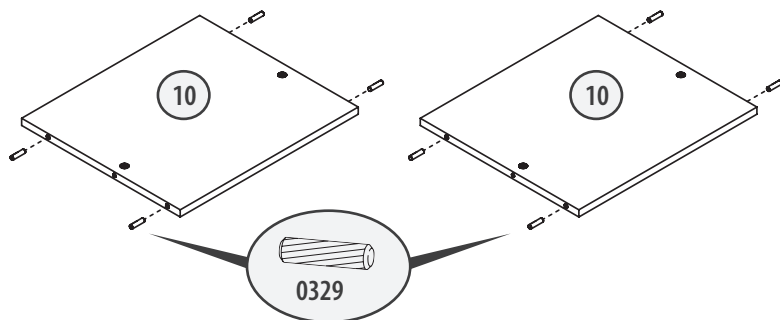
## STEP 11

- Flip over **06** and place **0394** and screw 2x**0160** as shown.
- Place 2x**4462** and screw 2x**0160** through each.
- Hammer in 2x**0329** on the top edge of **06** and 2x**0329** on the bottom edge.



## STEP 12

- Repeat Step 9 on **08**.
- Flip **08** over and repeat step 10 on it.

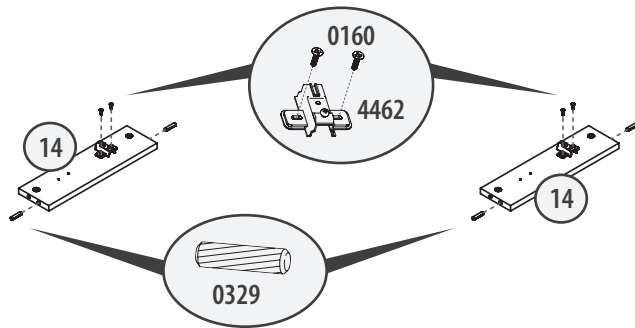


## STEP 13

- Take 2x**10** and hammer 4x**0329** in each as shown.

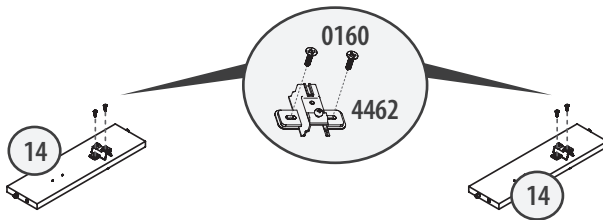
# Prepare Vertical Pieces

---



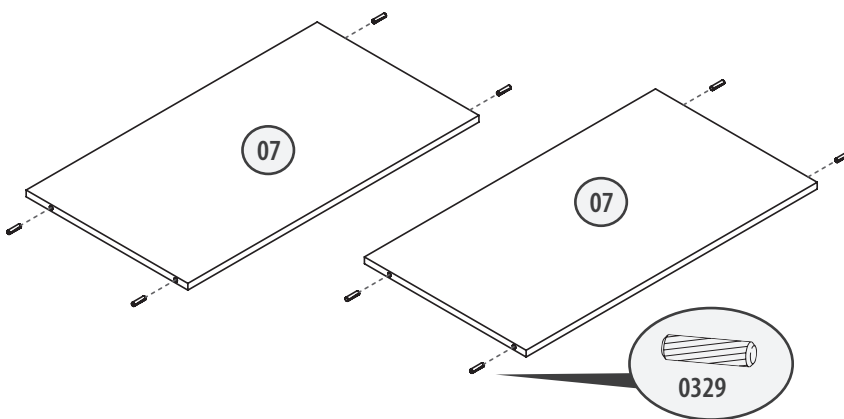
## STEP 14

- Take 2x**14** and place on each **4462** and screw 2x**0160** through each.
- Hammer 2x**0329** into each as shown.



## STEP 15

- Flip over 2x**14** and place on each **4462** and screw 2x**0160** through each.

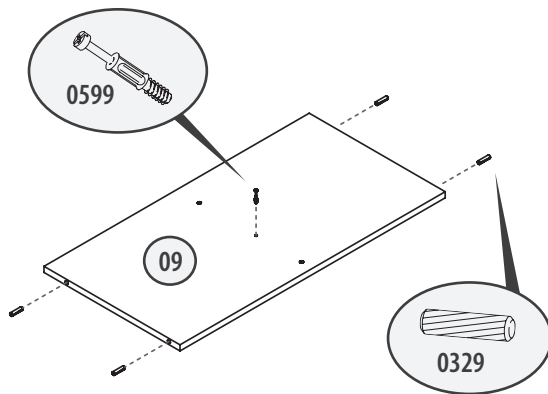


## STEP 16

- Take 2x**07** and hammer 4x**0329** into each as shown.

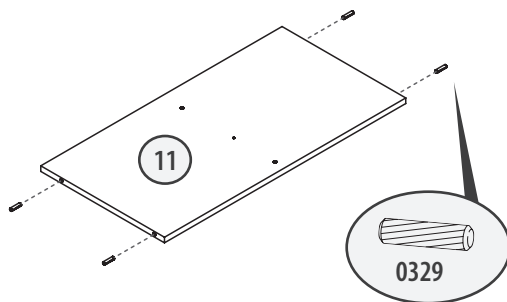
# Prepare Horizontal Pieces

---



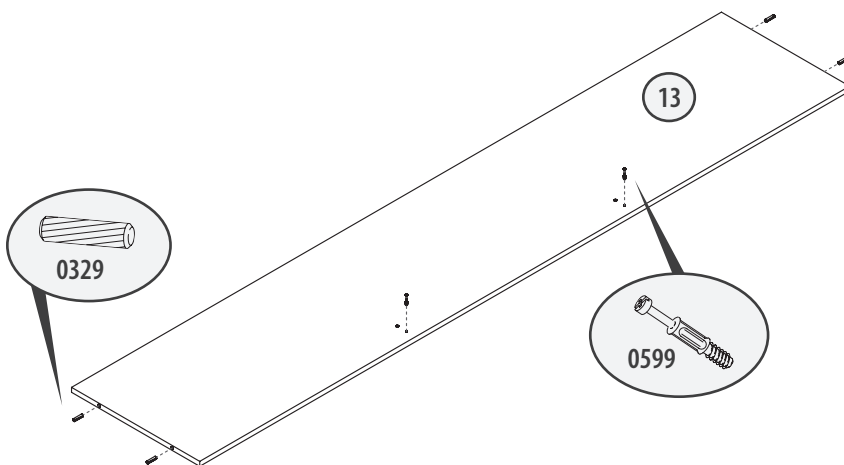
## STEP 17

- Take **09** and hammer 4x**0329** as shown.
- Screw **0599** into the middle of **09**.



## STEP 18

- Take **11** and hammer 4x**0329** as shown.

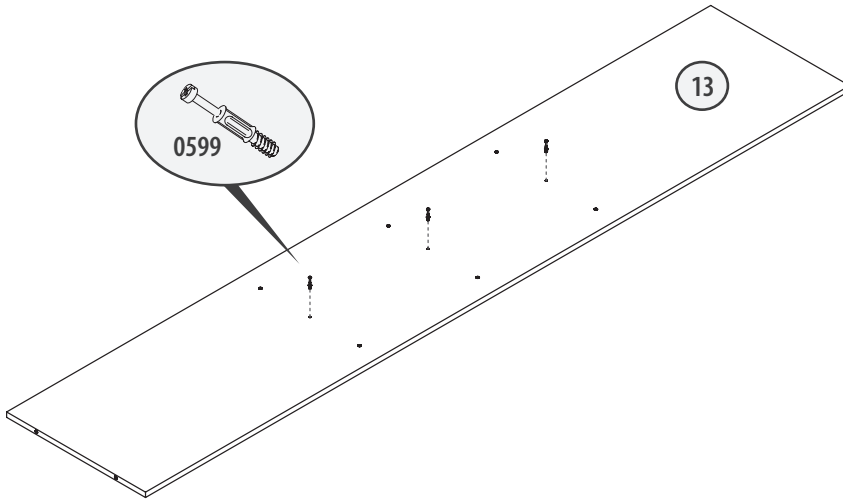


## STEP 19

- Hammer in 2x**0329** on the side edge of **13** and 2x**0329** on the opposite side edge.
- Screw in 2x**0599** as shown.

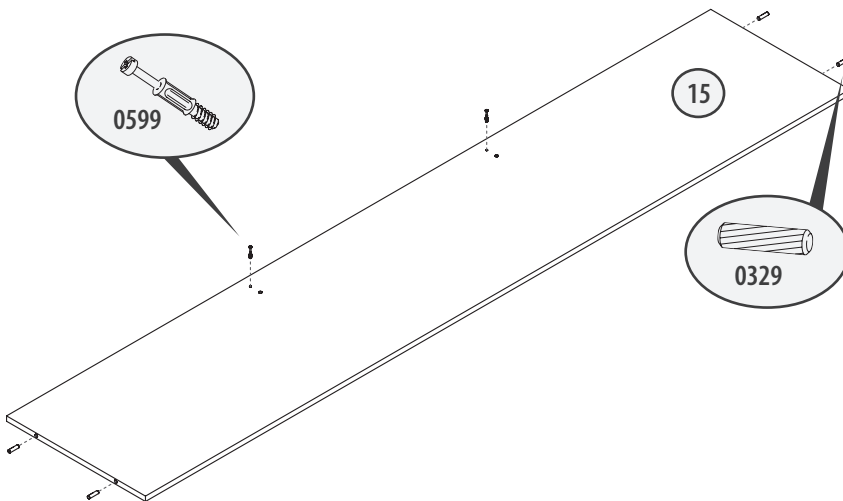
# Prepare Horizontal Pieces

---



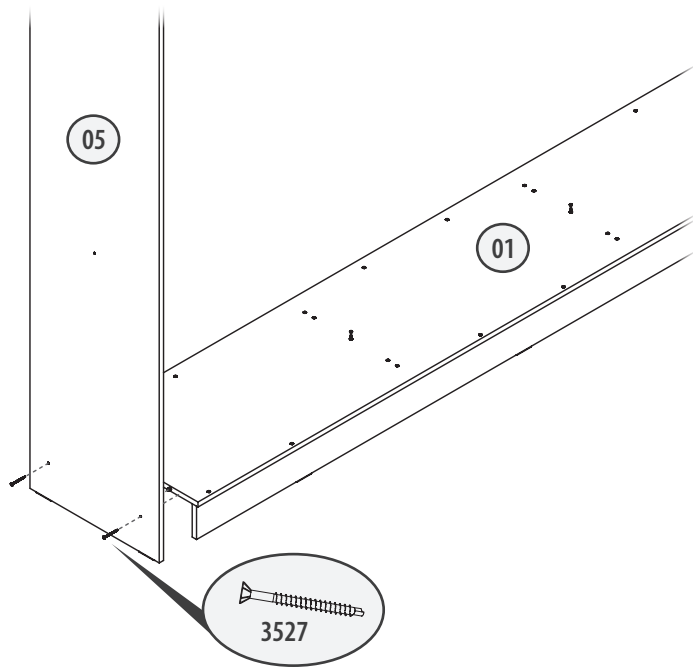
## STEP 20

- Flip over **13** and screw in 3x**0599** as shown.



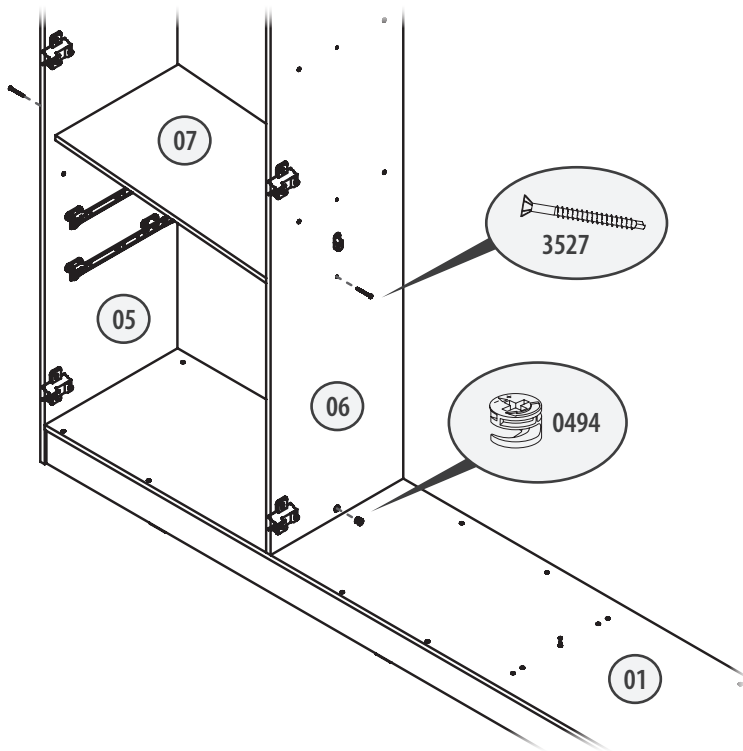
## STEP 21

- Hammer in 2x**0329** on the side edge of **15** and 2x**0329** on the opposite side edge.
- Screw in 2x**0599** as shown.



## STEP 22

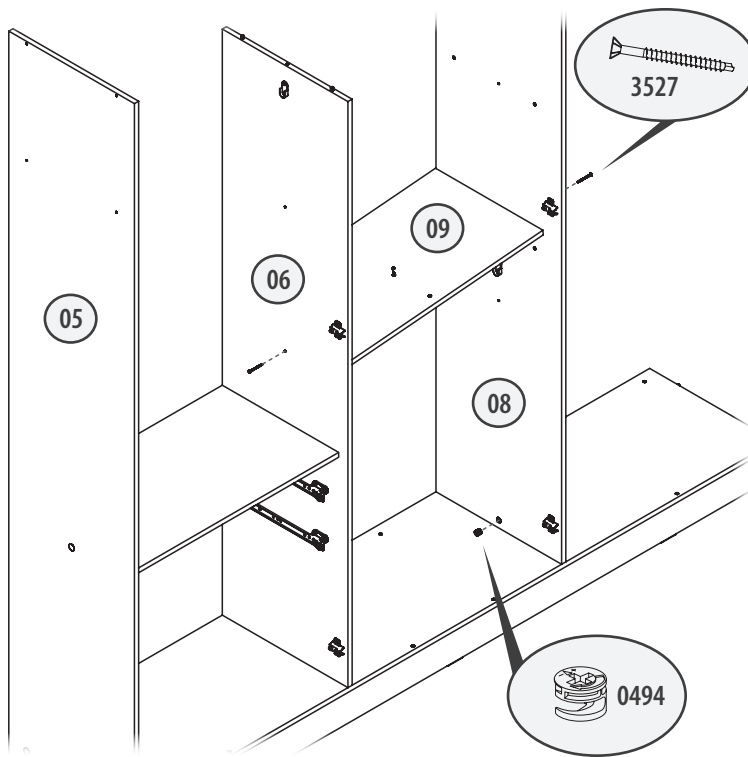
- Place **05** at the edge of the baseboard.
- Screw 2x**3527** into **05**, going through and into the side edge of **01**.



## STEP 23

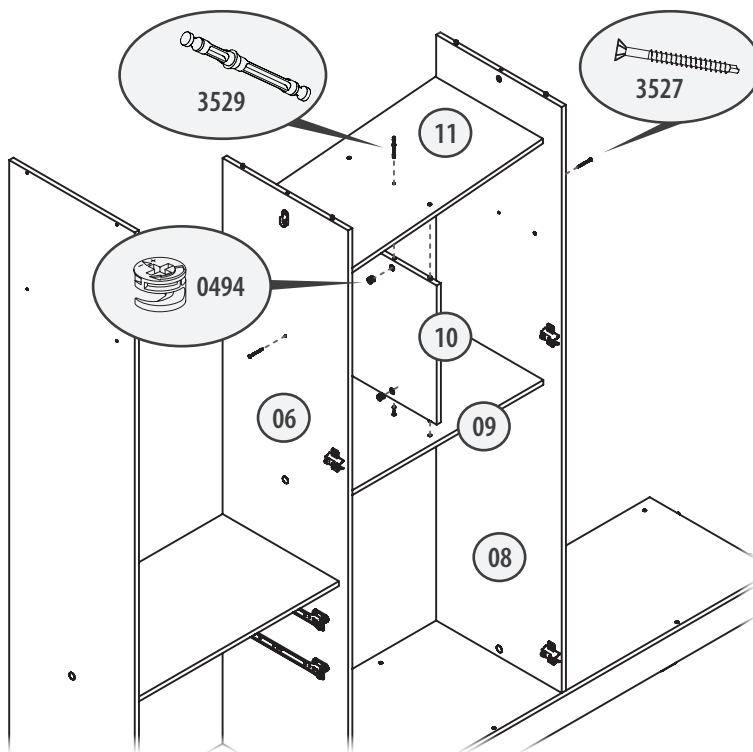
- Place the **06** on the baseboard as shown.
- Place **0494** with the arrow pointing down and screw it in.
- Screw **3527** into **05** and **06**, going through and into the two side edges of **07**.

# Build



## STEP 24

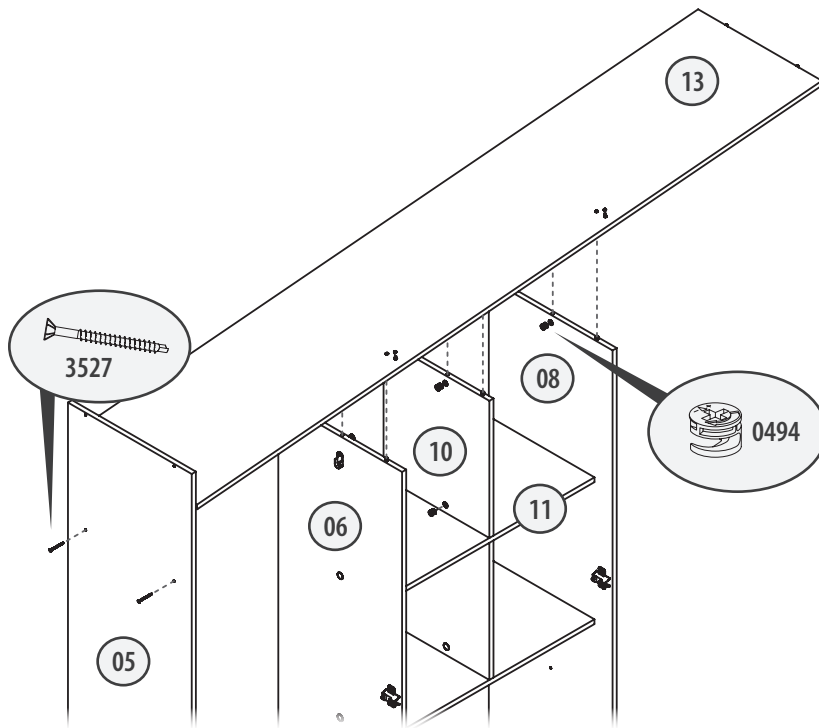
- Place the **08** on the baseboard as shown.
- Place **0494** with the arrow pointing down and screw it in.
- Screw **3527** into **06** and **08**, going through and into the two side edges of **09**.



## STEP 25

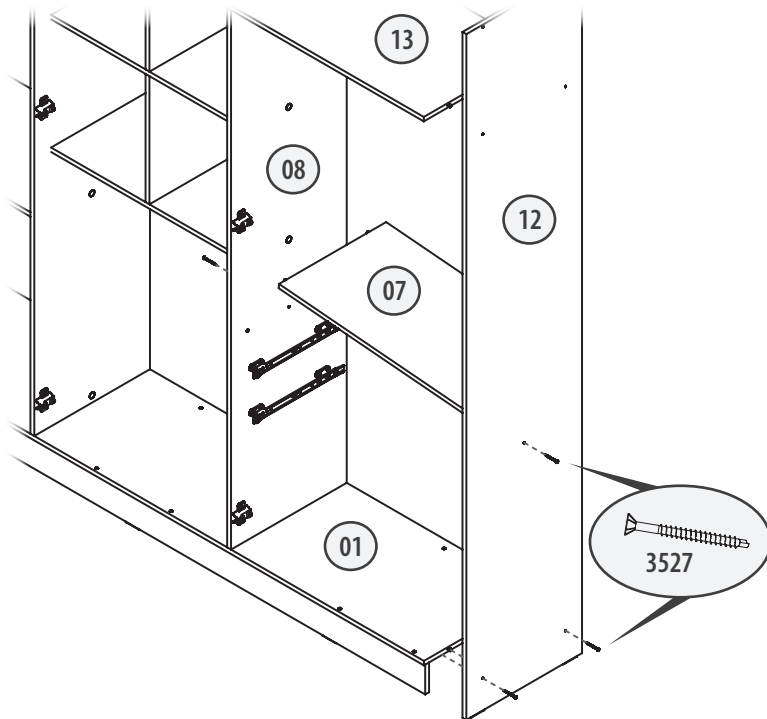
- Place the **10** onto the **09** as shown.
- Place the **11** on the **10** as shown.
- Place the long end of **3529** through the hole in the middle of **11** into the top edge of **10**.
- Place **0494** with the arrow pointing to the hole by the top and bottom of **10** and screw it in.
- Screw **3527** into **06** and **08**, going through and into the two side edges of **11**.

# Build



## STEP 26

- Place the other **10** on the **11** as shown.
- Place **0494** with the arrow pointing down on the bottom of **10** and screw it in.
- Place **13** with the three **0599** facing down.
- Screw 2x**3527** through **05** into the side edge of **13**.
- Place 3x**0494** (on the top of **06**, **08**, and **10**) with the arrow pointing up and screw them in.

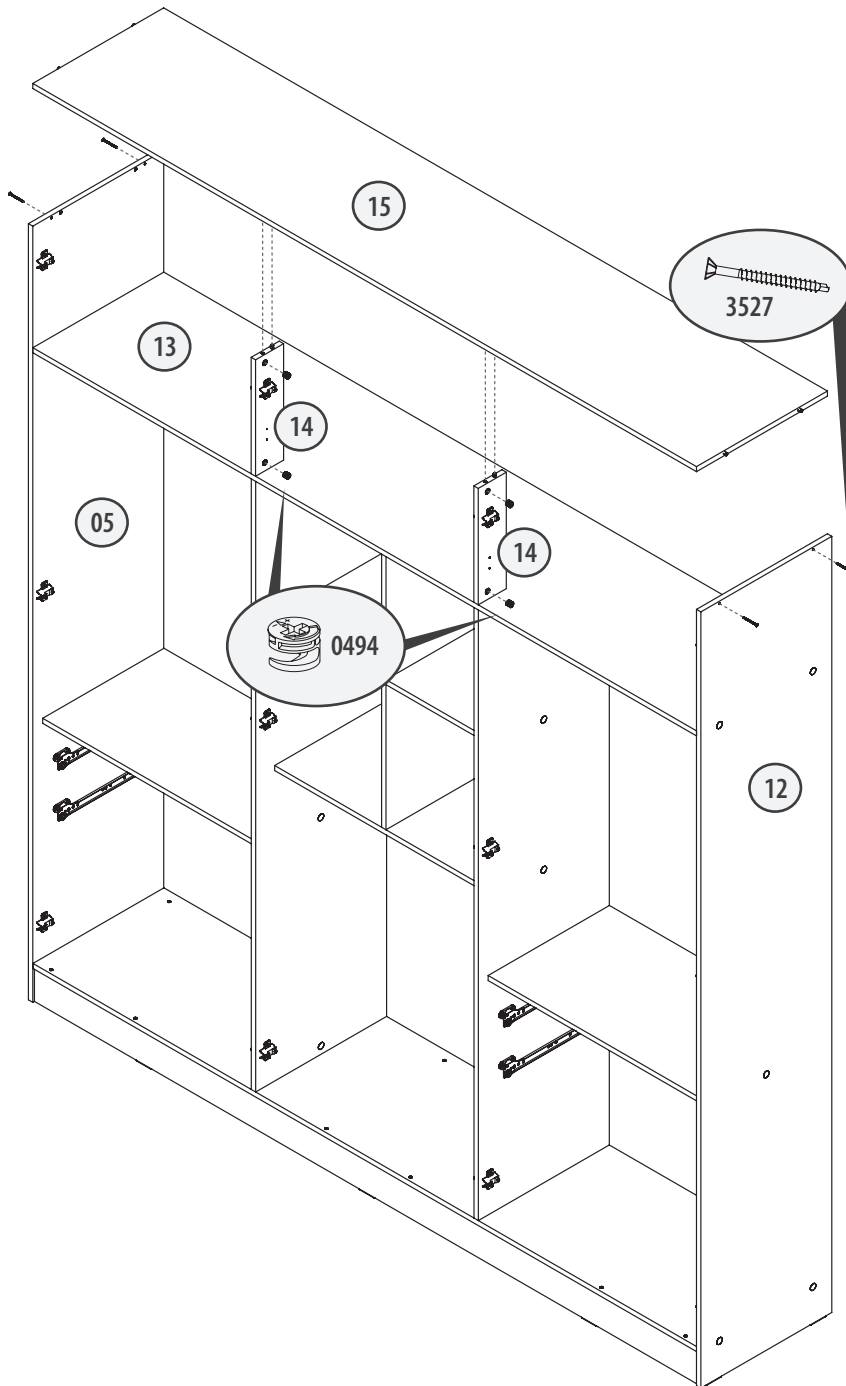


## STEP 27

- Place **12** at the edge of the baeboard.
- Screw 2x**3527** into **12**, going through and into the side edge of **01**.
- Screw **3527** into **08** and **12**, going through and into the two side edges of **07**.

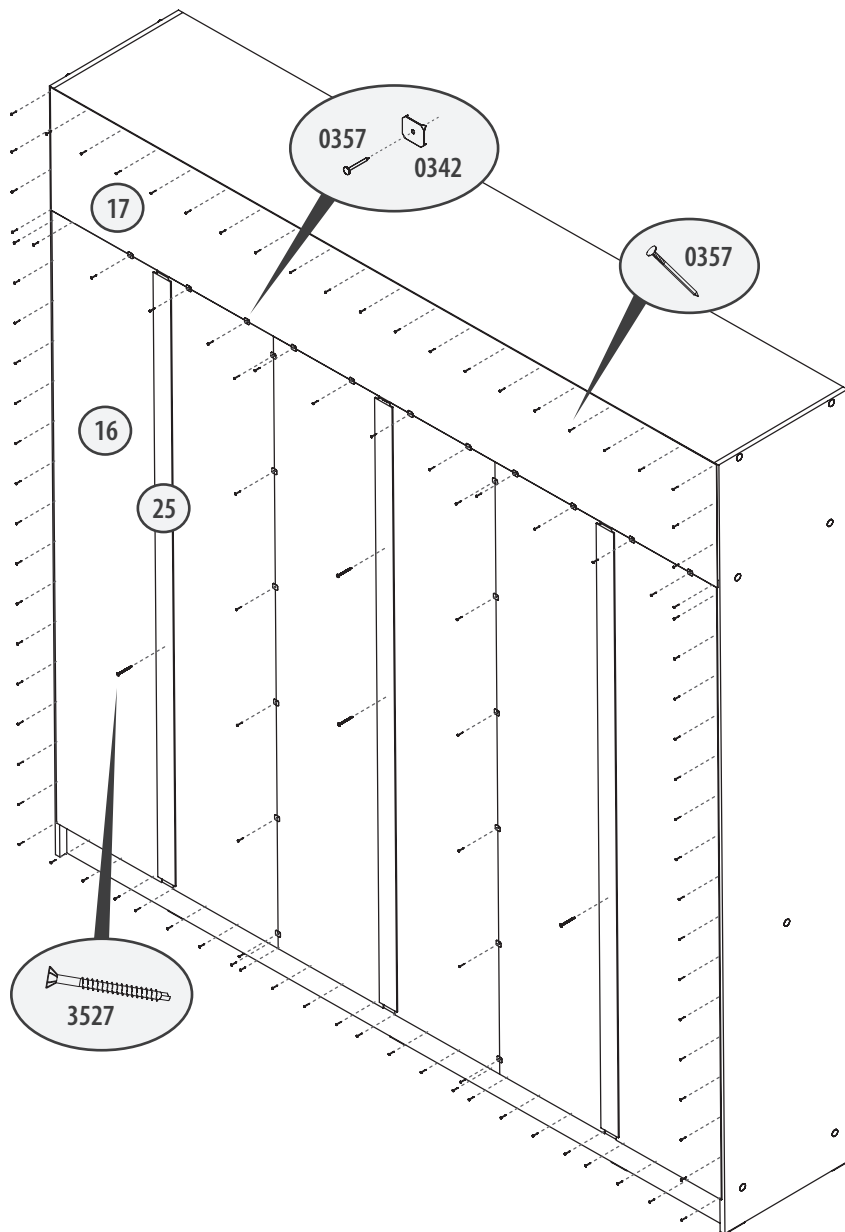


# Build



## STEP 28

- Place 2x**14** on **13** as shown.
- Place **15** on the two **14**.
- Screw 2x**3527** into **05** and 2x**3527** into **06**, going through and into the two side edges of **15**.
- Place **0494** with the arrow pointing towards the holes on the top and bottom of both **14** and screw it in.

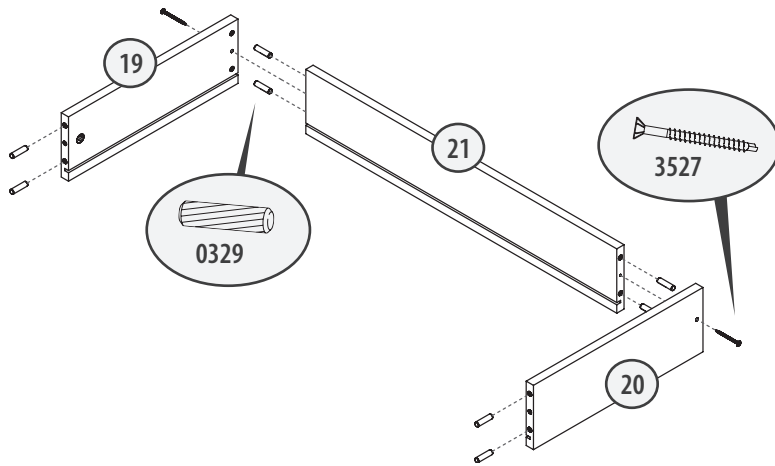


## STEP 29

- Place **17** and hammer **0357** on the top and side edges.
- Place a **16** on the left of the closet and hammer **0357** on the left and bottom edges.
- Slide a **25** to the right of the **16** and screw **3527**.
- Add 2x**16** to the right of the **25**.
- Place **0342** over the two **16** and hammer **0357** through it.
- Slide another **25** to the right of the 2x**16** and screw 2x**3527**.
- Add 2x**16** to the right of the **25**.
- Place **0342** over the two **16** and hammer **0357** through it.
- Slide another **25** to the right of the 2x**16** and screw 2x**3527**.
- Place **0342** on **17** and all the **16** and hammer **0357** through it.
- Hammer the rest of **0357** on all edges of the backboards.

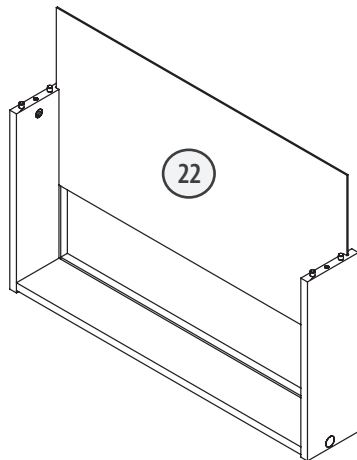
# Drawers

---



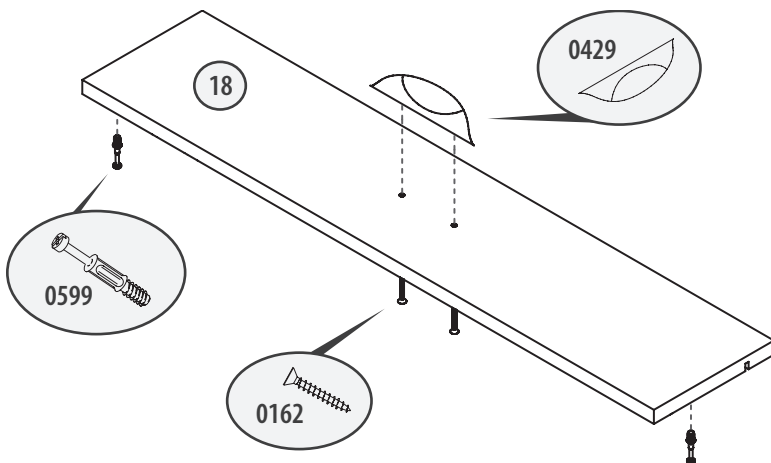
## STEP 30

- Hammer 2x**0329** into **19**, **20**, and each side of **21**.
- Push them all together.
- Screw **3527** through **19** into **21** and screw **3527** through **20** into **21**.



## STEP 31

- Slide **22** into the slot.

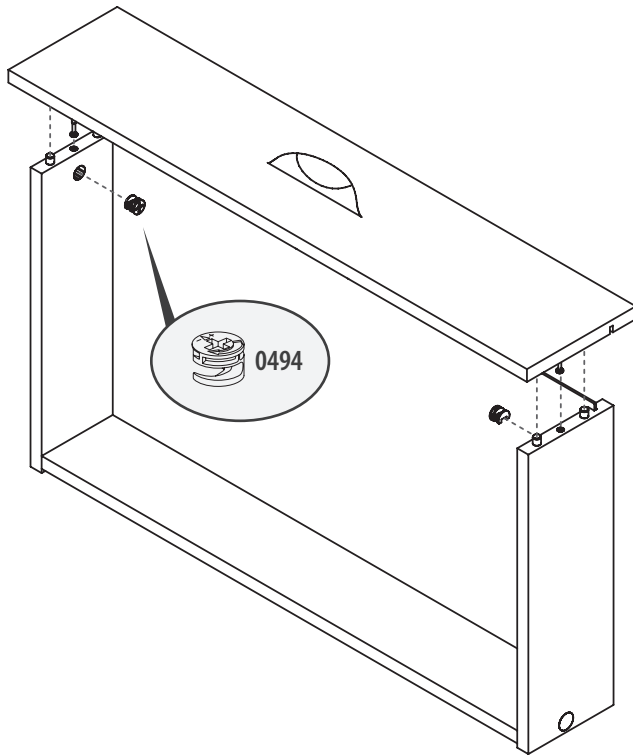


## STEP 32

- Screw 2x**0599** into **18** as shown.
- Screw 2x**0162** through **18** into **0429**.

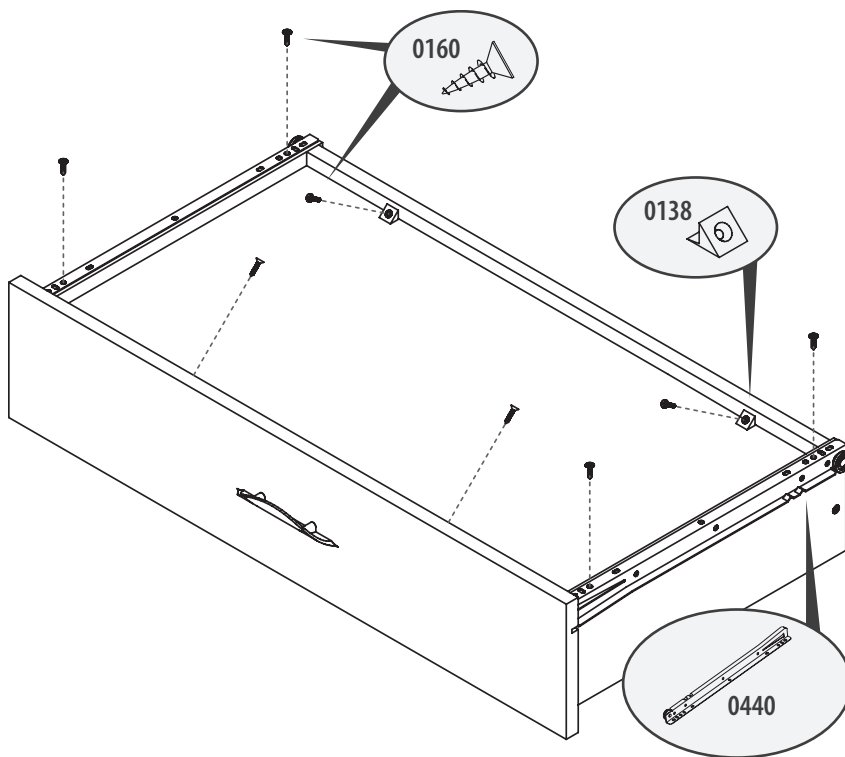
# Drawers

---



## STEP 33

- Push the drawer front onto the drawer.
- Place **0494** in each hole with the arrow pointing to the drawer front screw it in.

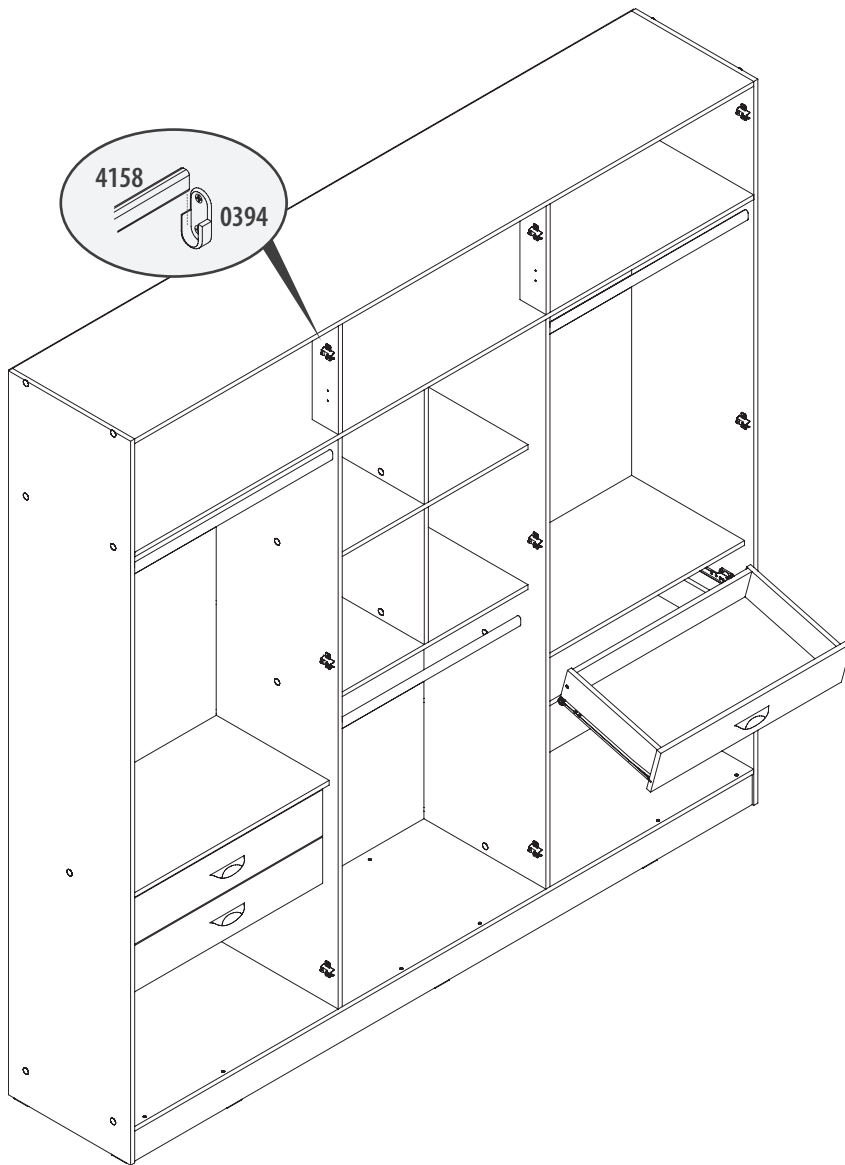


## STEP 34

- Squeeze 4x**0138** on the bottom of the drawer as shown.
- Screw **0160** through each **0138**.
- Place **0440** on each side of the bottom of the drawer and screw 2x**0160** into each.

# Drawers

---

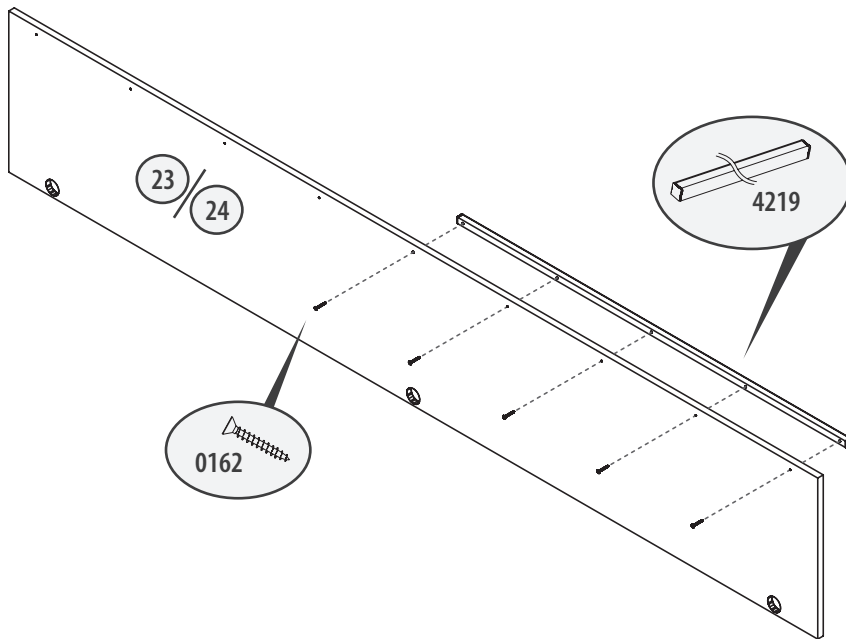


## STEP 35

- Repeat the drawer process 3 more times and slide them into the closet as shown.
- Take 3x**4158** and place them onto the **0394**.

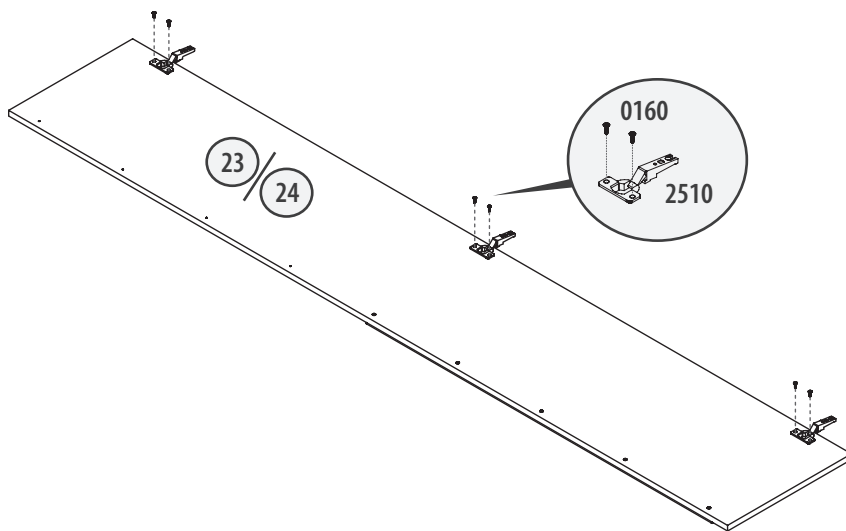
# Doors

---



## STEP 36

- Take the door pieces **23** or **24**.
- Place **4219** on the outside of the door and screw **5x0162** through the holes.

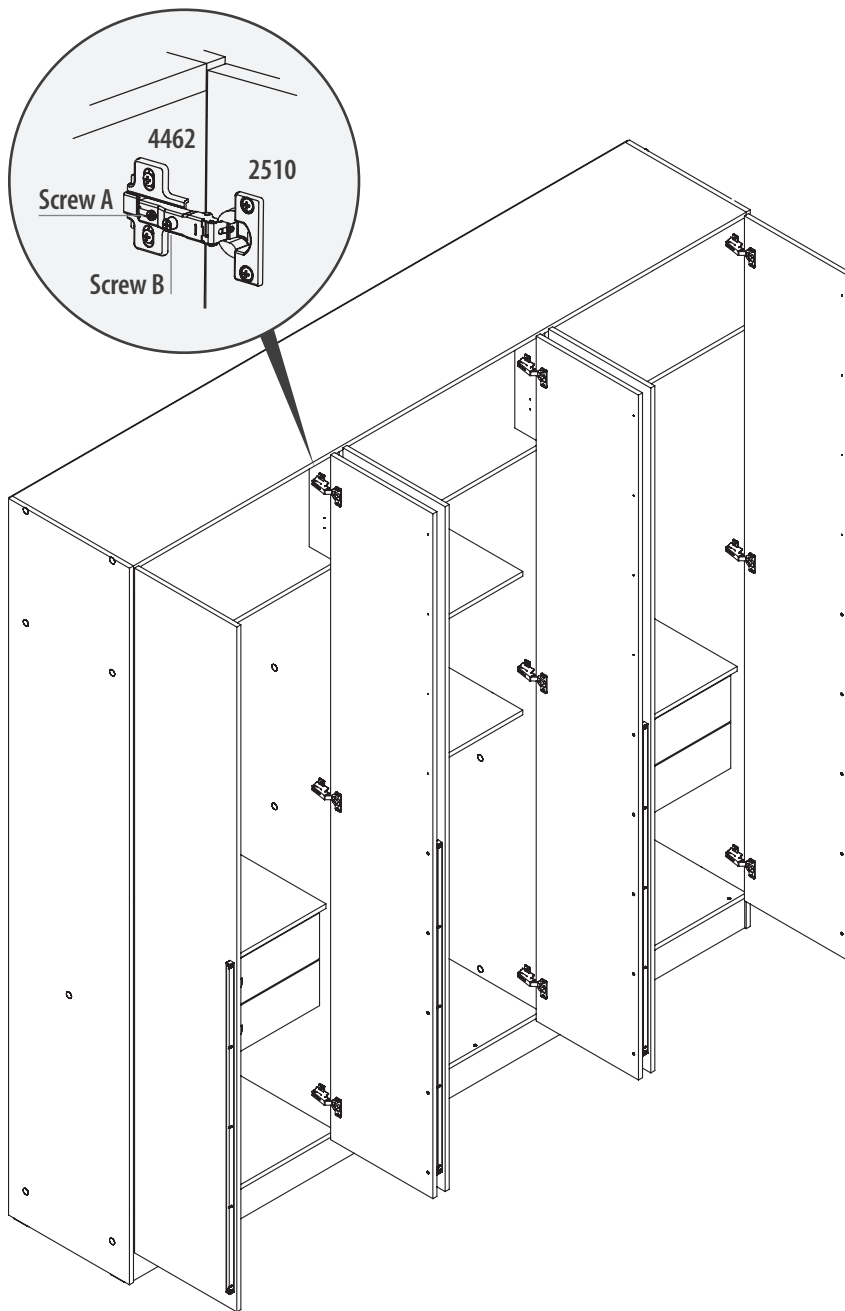


## STEP 37

- Flip over the door and place **3x2510** and screw **2x0160** through each.

# Doors

---



## STEP 38

- Align the **2510** in the doors with the **4462** in the closets and slide them in.
- Turn **Screw A** clockwise and **Screw B** counterclockwise to adjust the hinges.



View our assembly video online

[www.manhattancomfort.com](http://www.manhattancomfort.com)

[help@manhattancomfort.com](mailto:help@manhattancomfort.com)

1888-230-2225