

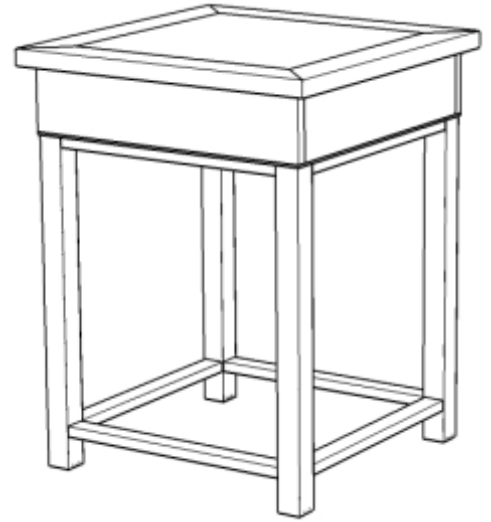
# 88 5411 17 Cabin Creek Desk Corner Table

## IMPORTANT NOTE

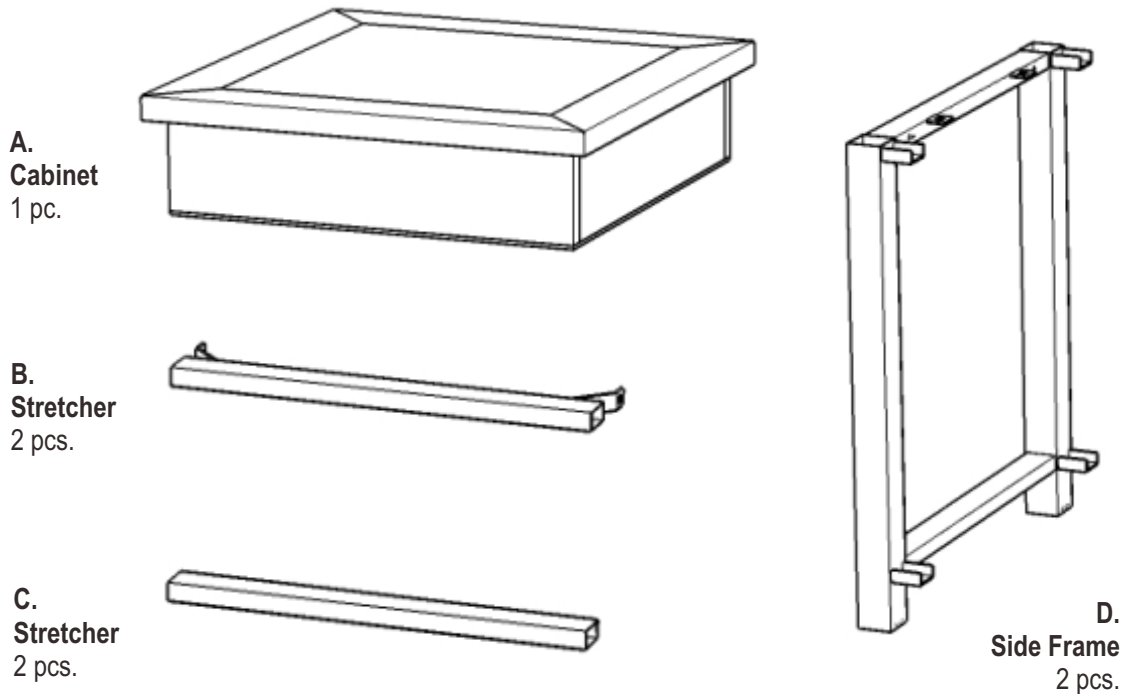
Carefully remove all the parts from the carton and put them individually on a soft cloth to prevent scratches or other damages occurring to the parts.

We have taken great care in the design of this product and request that you carefully and strictly follow our assembly instructions to ensure a completed product as it was designed.

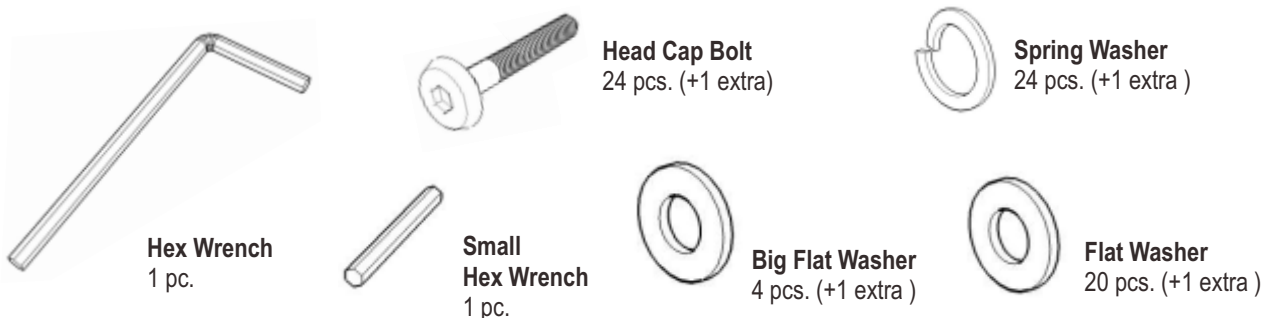
*Home  
Styles*



## Part List



## Hardware List



**Tools recommended for assembly :** Level

**Home Styles Consumer Assistance:** [www.homestyles-furniture.com](http://www.homestyles-furniture.com),  
[servicedesk@homestyles-furniture.com](mailto:servicedesk@homestyles-furniture.com), 888-680-7460, 877-831-0319

# Assembly Instructions 2/2

## IMPORTANT

- \* Do not tighten up all the Head Cap Bolts until each part is properly assembled.
- \* You should keep Hex Wrench in a safe place as you may need to tighten up the Head Cap Bolts in the future.
- \* Use a soft cloth between these parts and the floor.
- \* After assembly, item must be level to work properly. Use the included adjustable levelers to level.

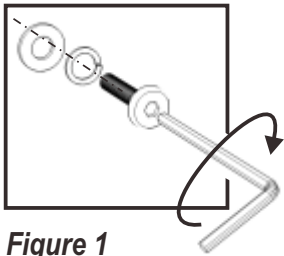
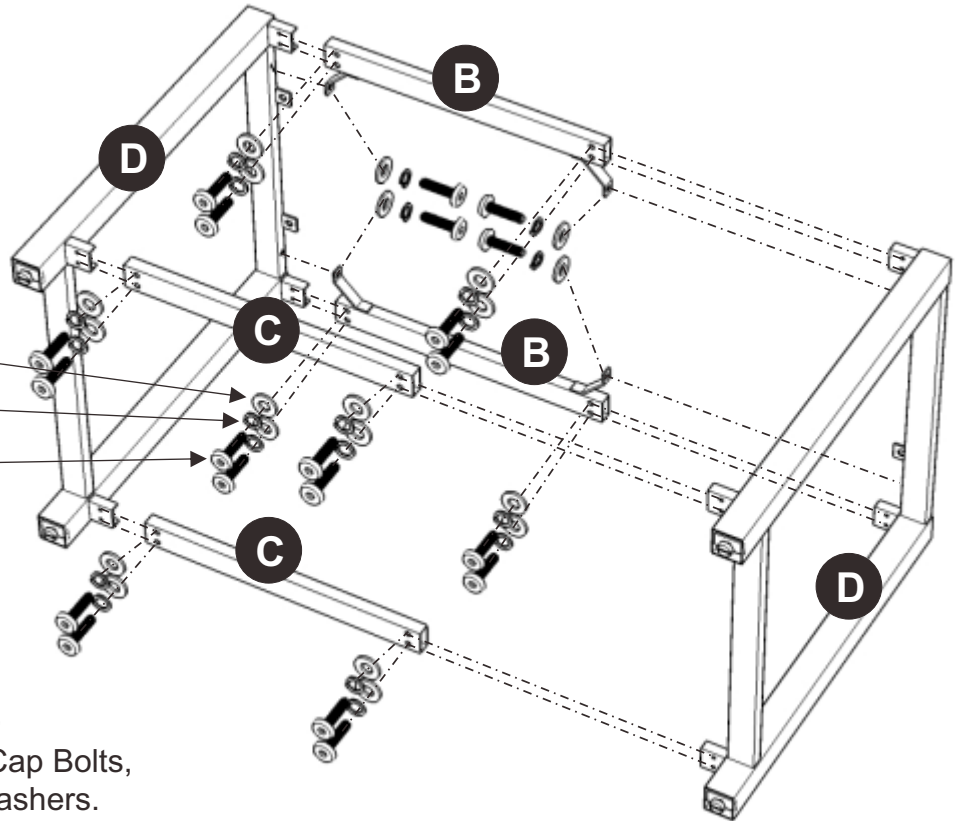


Figure 1

Flat Washer  
Spring Washer  
Head Cap Bolt



## STEP 1

Attach Stretchers (B), (C) to Side Frame (D) with Head Cap Bolts, Spring Washers and Flat Washers.

Tighten Head Cap Bolts only halfway. (see Figure 1)

Attach Side Frame (D) to unit with Head Cap Bolts, Spring Washers and Flat Washers.

Tighten all Head Cap Bolts.

## STEP 2

Place Top (A) upside down on a soft cloth.

Attach unit onto Cabinet (A) with Head Cap Bolts, Spring Washers and Big Flat Washers.

To level the unit, adjust the adjustable levelers on the bottom of unit. (see Figure 2)

Head Cap Bolt  
Spring Washer  
Big Flat Washer

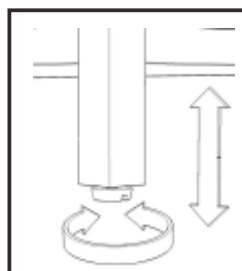


Figure 2

