

88 5411 15 Cabin Creek Executive Desk

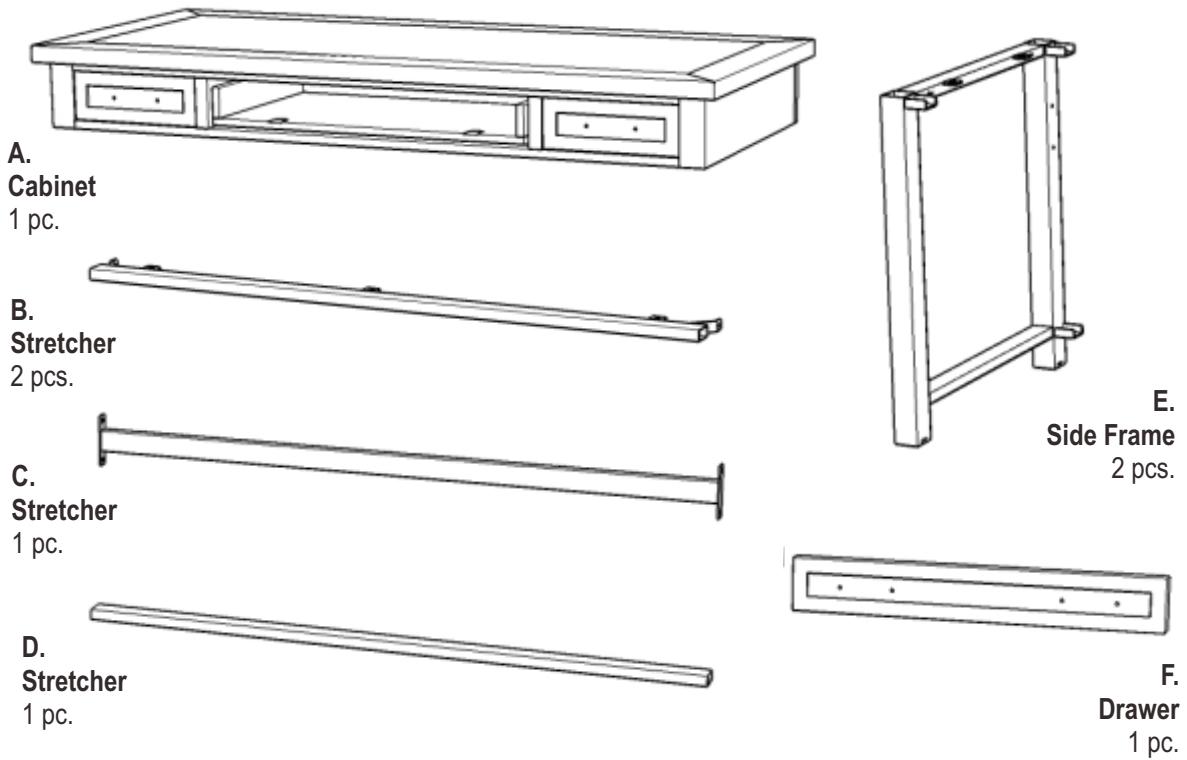


IMPORTANT NOTE

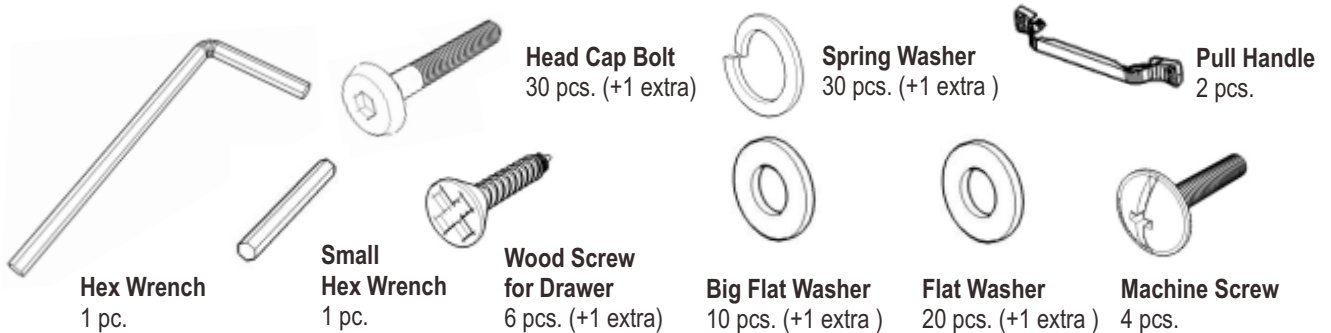
Carefully remove all the parts from the carton and put them individually on a soft cloth to prevent scratches or other damages occurring to the parts.

We have taken great care in the design of this product and request that you carefully and strictly follow our assembly instructions to ensure a completed product as it was designed.

Part List



Hardware List



Tools required for assembly : **Phillips** screwdriver

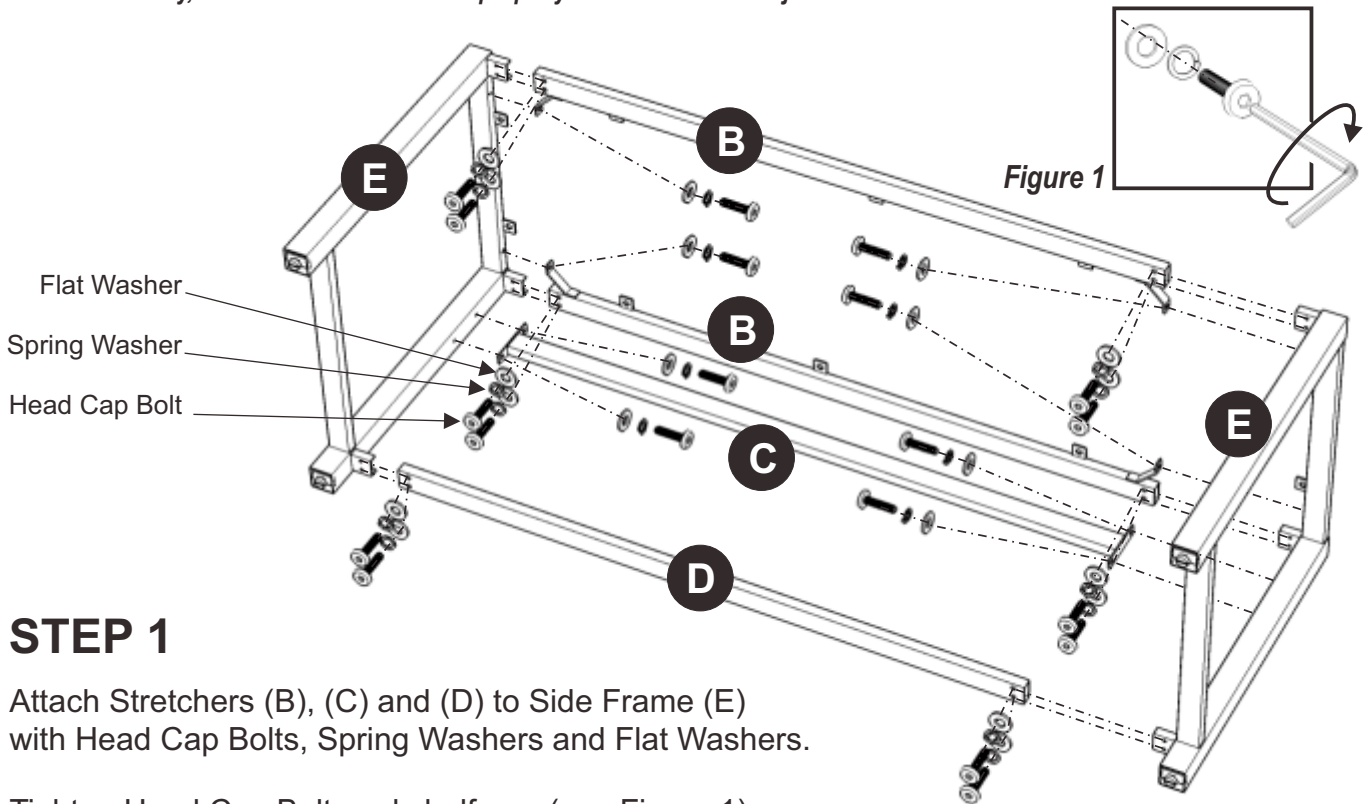
Tools recommended for assembly : Level

Home Styles Consumer Assistance: www.homestyles-furniture.com,
servicedesk@homestyles-furniture.com, 888-680-7460, 877-831-0319

Assembly Instructions 2/3

IMPORTANT

- * Do not tighten up all the screws until each part is properly assembled.
- * You should keep Hex Wrench in a safe place as you may need to tighten up the Head Cap Bolts in the future.
- * Use a soft cloth between these parts and the floor.
- * After assembly, item must be level to work properly. Use the included adjustable levelers to level.



Attach Stretchers (B), (C) and (D) to Side Frame (E) with Head Cap Bolts, Spring Washers and Flat Washers.

Tighten Head Cap Bolts only halfway. (see Figure 1)

Attach Side Frame (E) to unit with Head Cap Bolts, Spring Washers and Flat Washers.

Tighten all Head Cap Bolts.

STEP 2

Remove the outside drawers.

Remove the Pull Handles that are installed on the inside of the drawers and re-install them on the outside of the drawer. (see Figure 2)

Remove the center drawer by pushing the plastic lever on its' left side up, pushing the plastic lever on its' right side down and pulling the drawer open slowly. (see Figure 3)

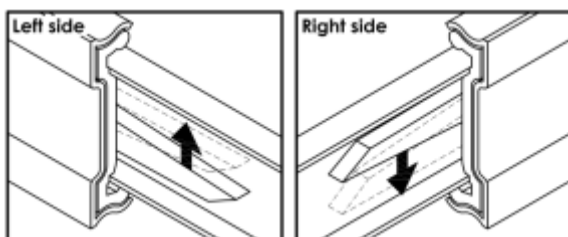


Figure 3

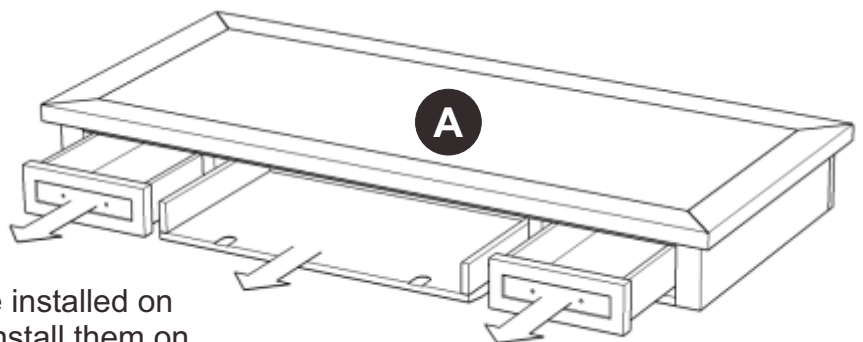
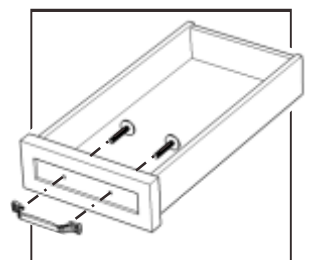
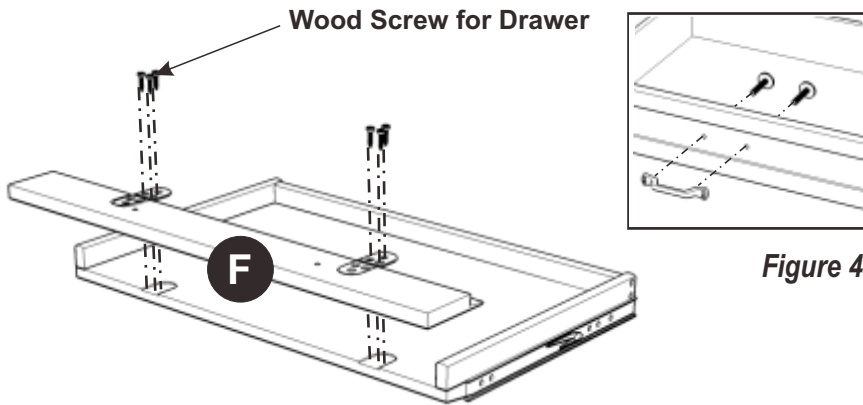


Figure 2





STEP 3

Attach Drawer (F) to Cabinet with Wood Screws for Drawer.

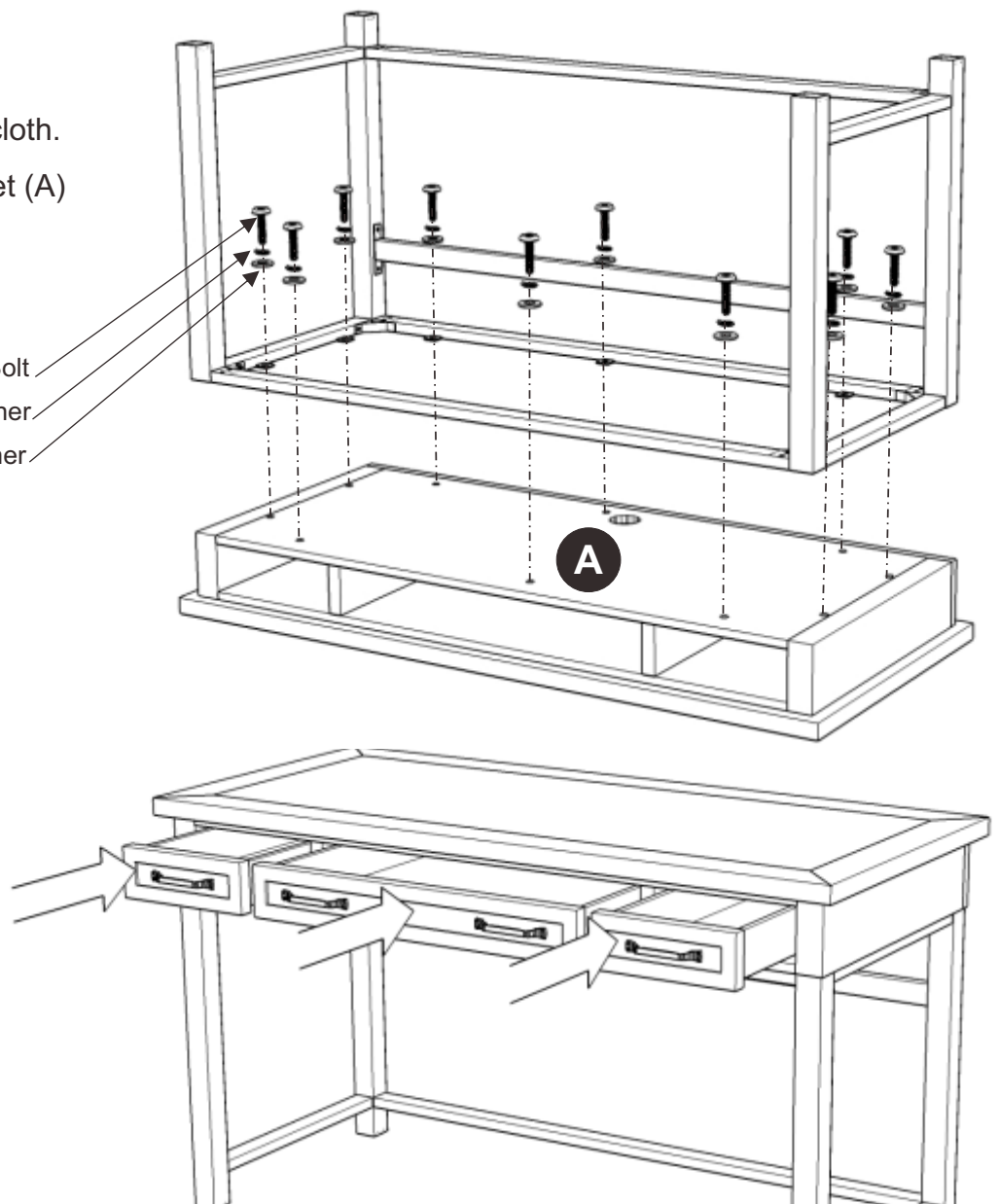
Attach Pull Handles to Drawer with Machine Screws. (see Figure 4)

STEP 4

Place Cabinet (A) upside down on a soft cloth.

Attach unit onto Cabinet (A) with Head Cap Bolts, Spring Washers and Big Flat Washers.

Head Cap Bolt
Spring Washer
Big Flat Washer



STEP 5

Turn the unit over to its' upright position.

Slide the drawers into position.

To level the unit, adjust the adjustable levelers on the bottom of unit. (see Figure 5)