

88598235 Pub Table (Black Finish)

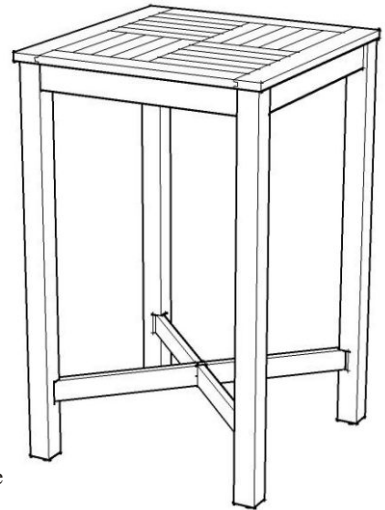
IMPORTANT NOTE

Carefully remove all the parts from the carton and put them individually on a soft cloth to prevent scratches or other damages occurring to the wood parts.

We have taken great care in the design of this product and request that you carefully and strictly follow our assembly instructions to ensure a completed product as it was designed.

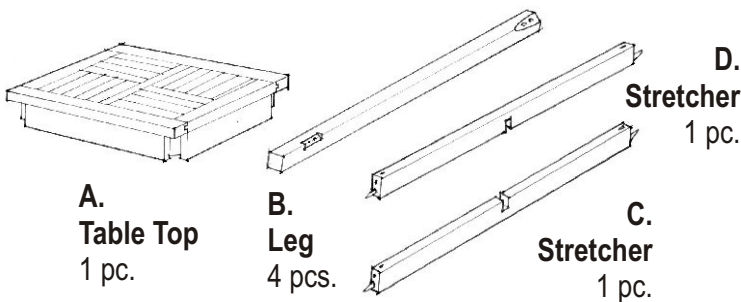


Casual Attire For Today's Home

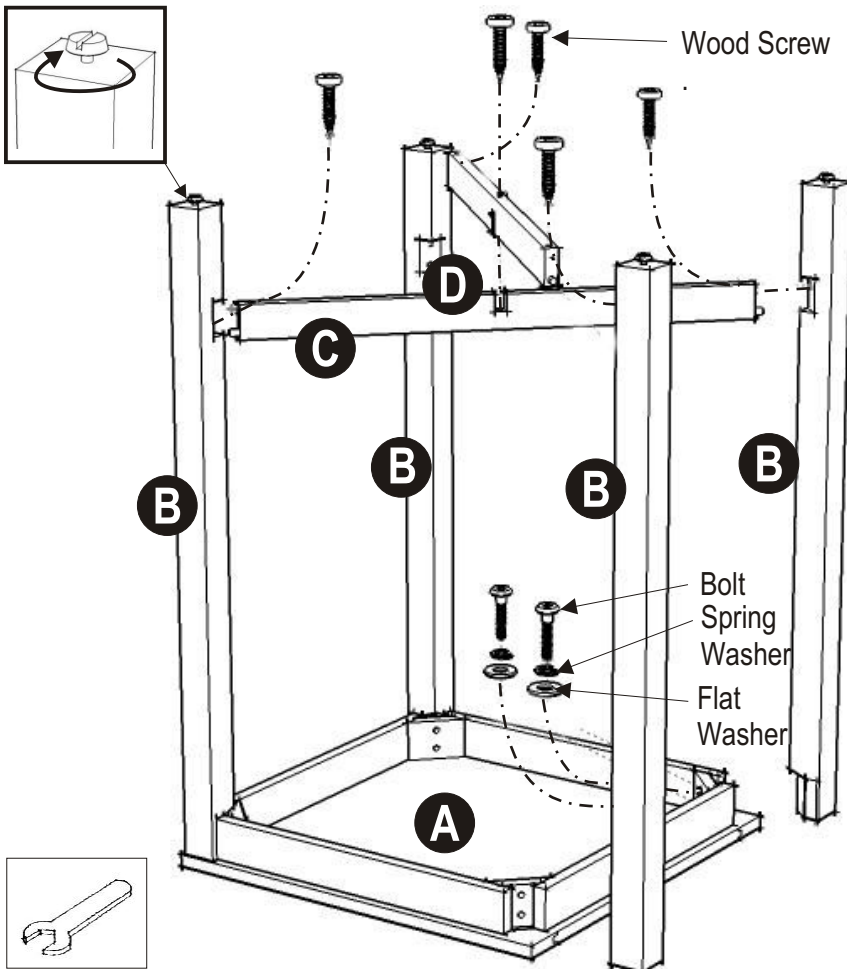
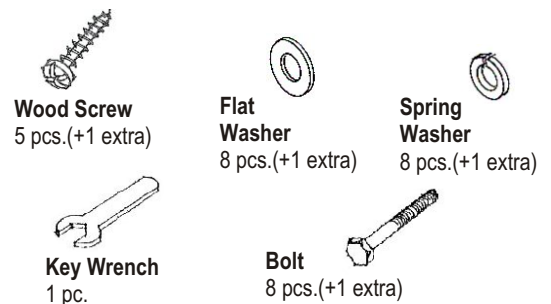


Thai Patent Pending Numbers 100108

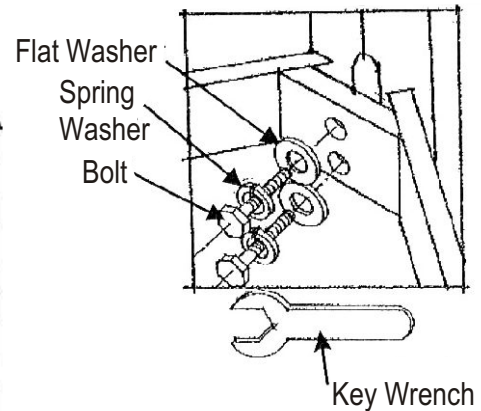
PART LIST



HARDWARE LIST



Leg Assembly Details



Leg Assembly

Turn over the Table Top (A) and place on the soft material.

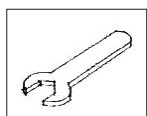
Assemble the legs (B) with Bolts, Spring Washers and Flat Washers.

Attach the Stretcher (C) and (D) to the four legs, using Wood Screws.

Turn back the table to its normal position.

Please keep the Key Wrench as you may need to retighten the Bolts in the future.

Tools required for assembly: Philips screwdriver



88598335 Pub Table (Black / Cottage Oak Top)

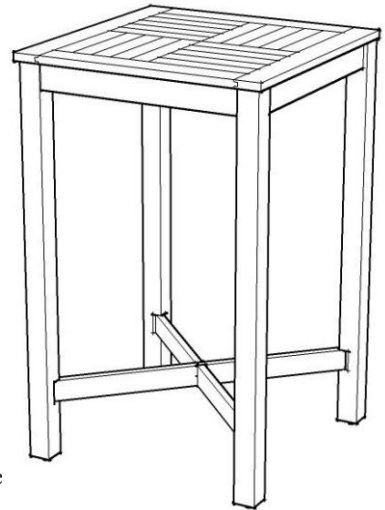
IMPORTANT NOTE

Carefully remove all the parts from the carton and put them individually on a soft cloth to prevent scratches or other damages occurring to the wood parts.

We have taken great care in the design of this product and request that you carefully and strictly follow our assembly instructions to ensure a completed product as it was designed.

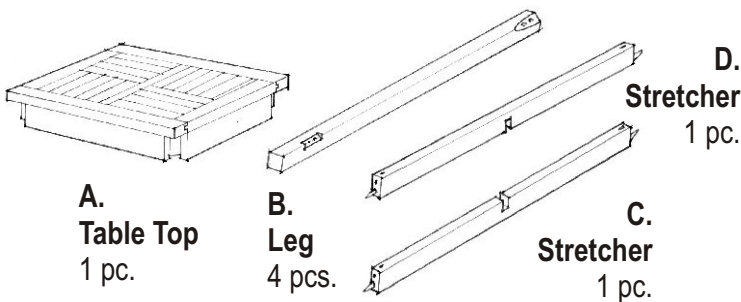


Casual Attire For Today's Home

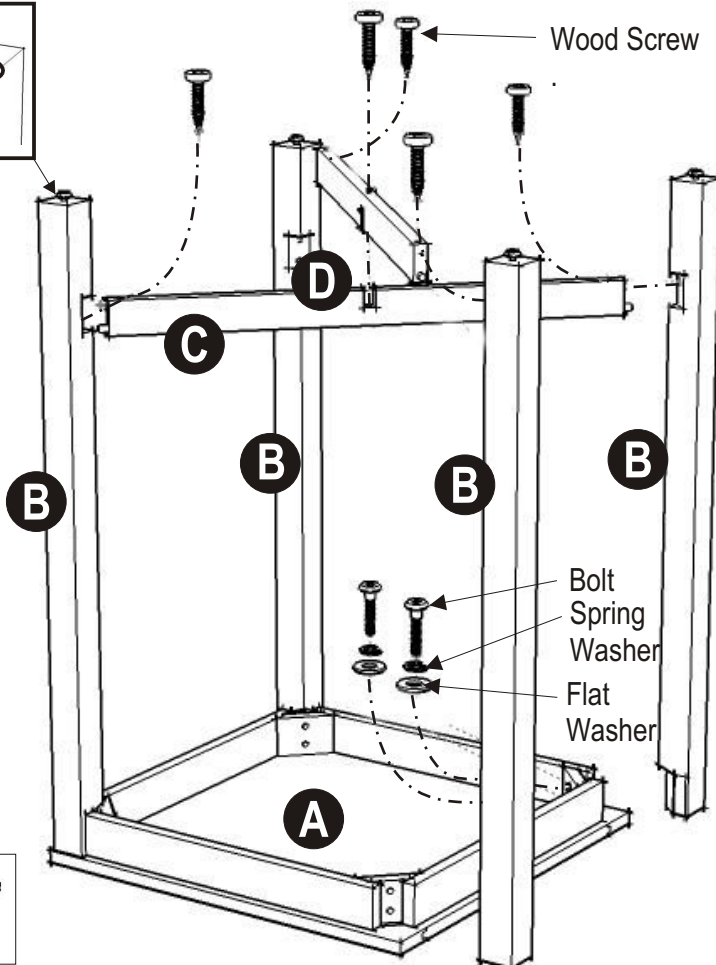
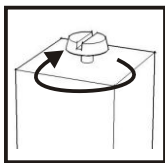
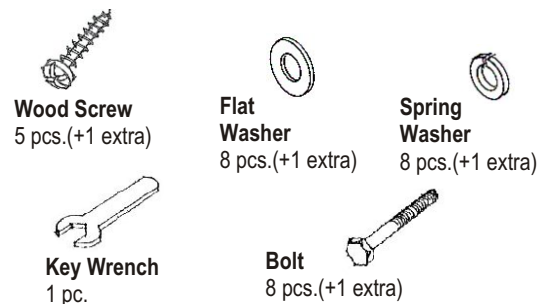


Thai Patent Pending Numbers 100108

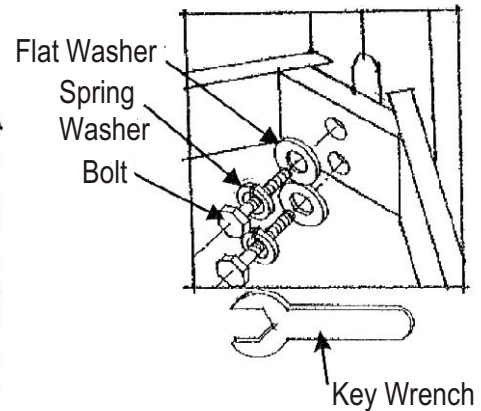
PART LIST



HARDWARE LIST



Leg Assembly Details



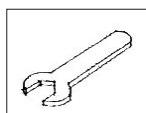
Leg Assembly

Turn over the Table Top (A) and place on the soft material.

Assemble the legs (B) with Bolts, Spring Washers and Flat Washers.

Attach the Stretcher (C) and (D) to the four legs, using Wood Screws.

Turn back the table to its normal position.



Please keep the Key Wrench as you may need to retighten the Bolts in the future.

Tools required for assembly: *Philips* screwdriver

88598635 Pub Table (Cottage Oak Finish)

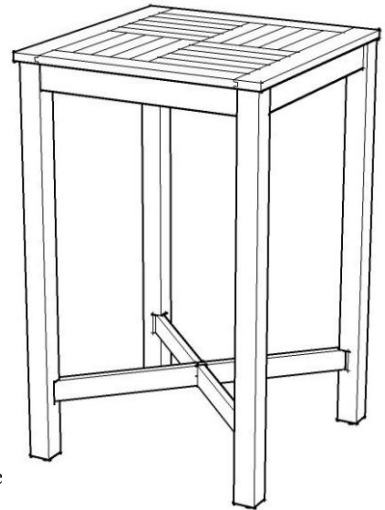
IMPORTANT NOTE

Carefully remove all the parts from the carton and put them individually on a soft cloth to prevent scratches or other damages occurring to the wood parts.

We have taken great care in the design of this product and request that you carefully and strictly follow our assembly instructions to ensure a completed product as it was designed.

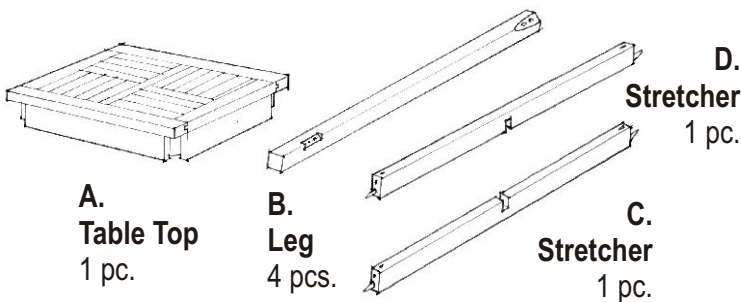


Casual Attire For Today's Home

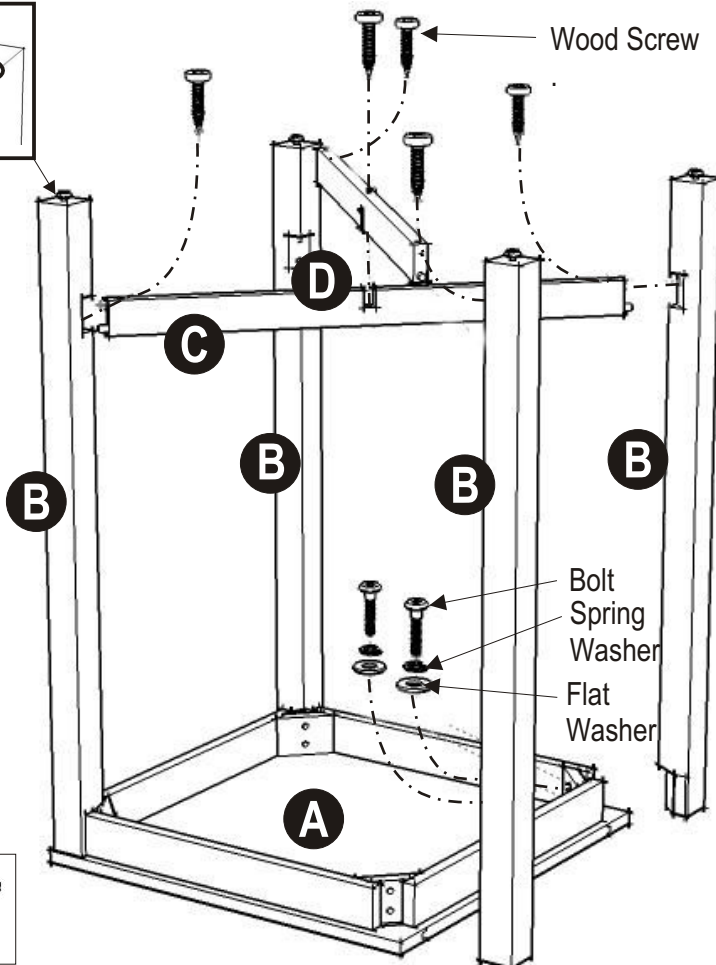
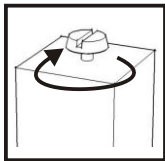
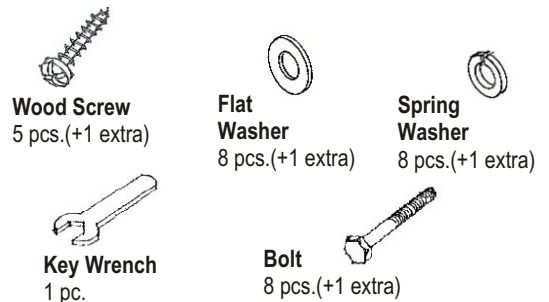


Thai Patent Pending Numbers 100108

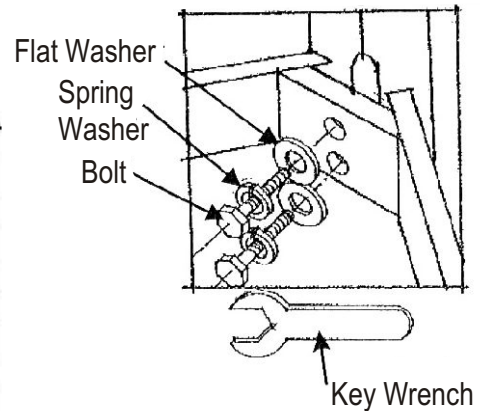
PART LIST



HARDWARE LIST



Leg Assembly Details



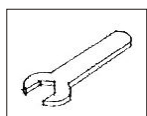
Leg Assembly

Turn over the Table Top (A) and place on the soft material.

Assemble the legs (B) with Bolts, Spring Washers and Flat Washers.

Attach the Stretcher (C) and (D) to the four legs, using Wood Screws.

Turn back the table to its normal position.



Please keep the Key Wrench as you may need to retighten the Bolts in the future.

Tools required for assembly: *Philips* screwdriver