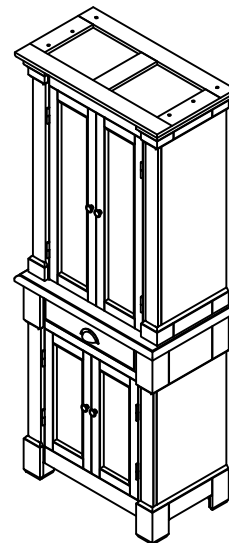


88 5520 69

The Aspen Pantry



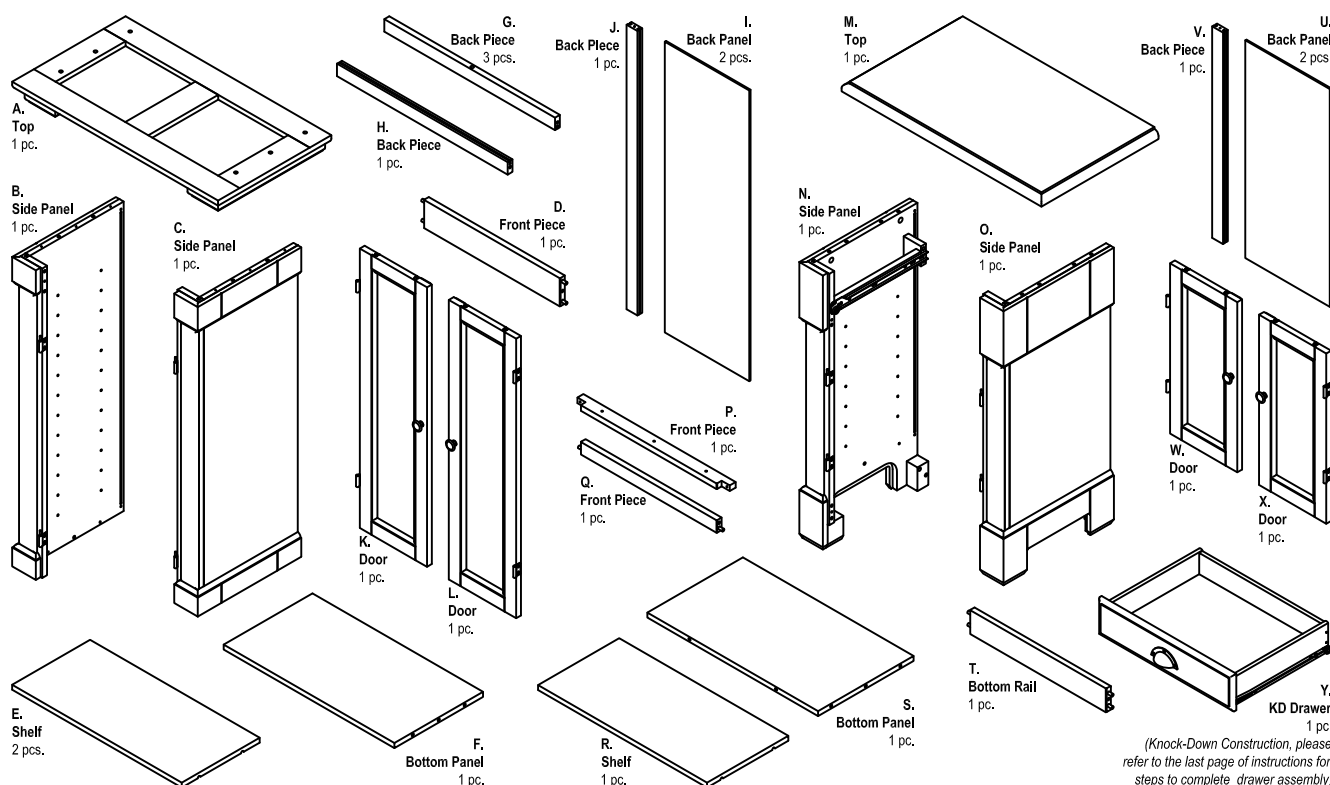
IMPORTANT NOTE

Carefully remove all the parts from the carton and put them individually on a soft cloth to prevent scratches or other damages occurring to the parts.

We have taken great care in the design of this product and request that you carefully and strictly follow our assembly instructions to ensure a completed product as it was designed.

Home Styles

Part List



(Knock-Down Construction, please refer to the last page of instructions for steps to complete drawer assembly)

Hardware List



Cam Lock Screw
28 pcs. (+1 extra)



Cam Lock
28 pcs. (+1 extra)



1 1/2" Round Head Screw
5 pcs. (+1 extra)



1 1/4" Round Head Screw
6 pcs. (+1 extra)



1" Round Head Screw
5 pcs. (+1 extra)



1/2" Round Head Screw
9 pcs. (+1 extra)



1 1/4" Flat Head Screw
8 pcs. (+1 extra)



3/4" Flat Head Screw
3 pcs. (+1 extra)



5/8" Flat Head Screw
8 pcs. (+1 extra)



1/2" Flat Head Screw
24 pcs. (+1 extra)



Handle
1 pc.



Knob
4 pcs.



Machine Screw
6 pcs.



Magnet
4 pcs.



Adjustable Pin
12 pcs. (+1 extra)



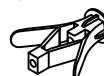
Wedge
24 pcs. (+1 extra)



Large Flat Washer
4 pcs. (+1 extra)



Small Flat Washer
2 pcs. (+1 extra)



Anchor
1 pc. (+1 extra)



Tipping Restraint
1 pc.



Wooden Dowel
12 pcs. (+1 extra)



Connector
2 pcs.

Tools Required For Assembly : Phillips screwdriver

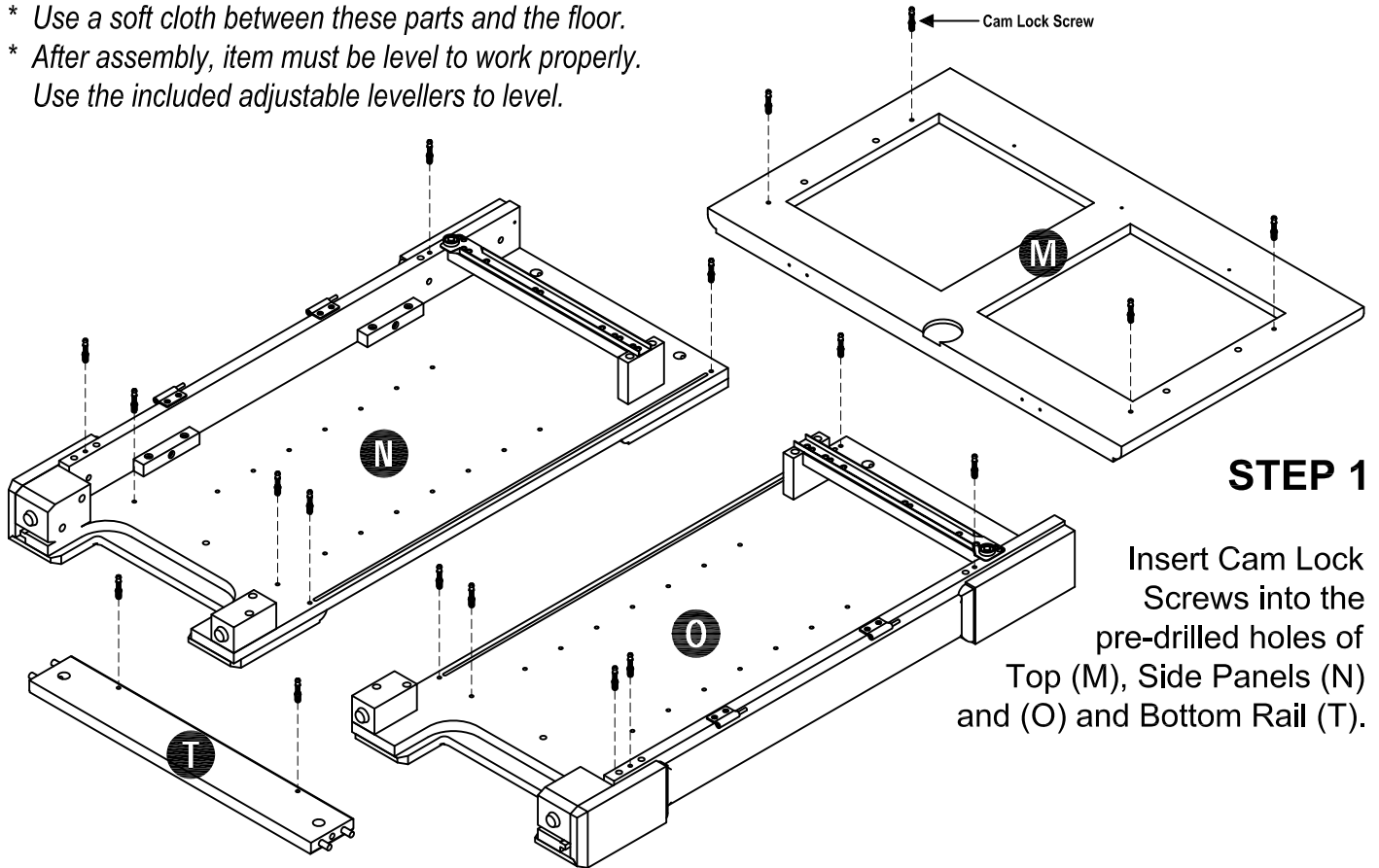
Tools Recommended For Assembly : Level

Home Styles Consumer Assistance: www.homestyles-furniture.com,
servicedesk@homestyles-furniture.com, 888-680-7460, 877-831-0319

Assembly Instructions 2/14

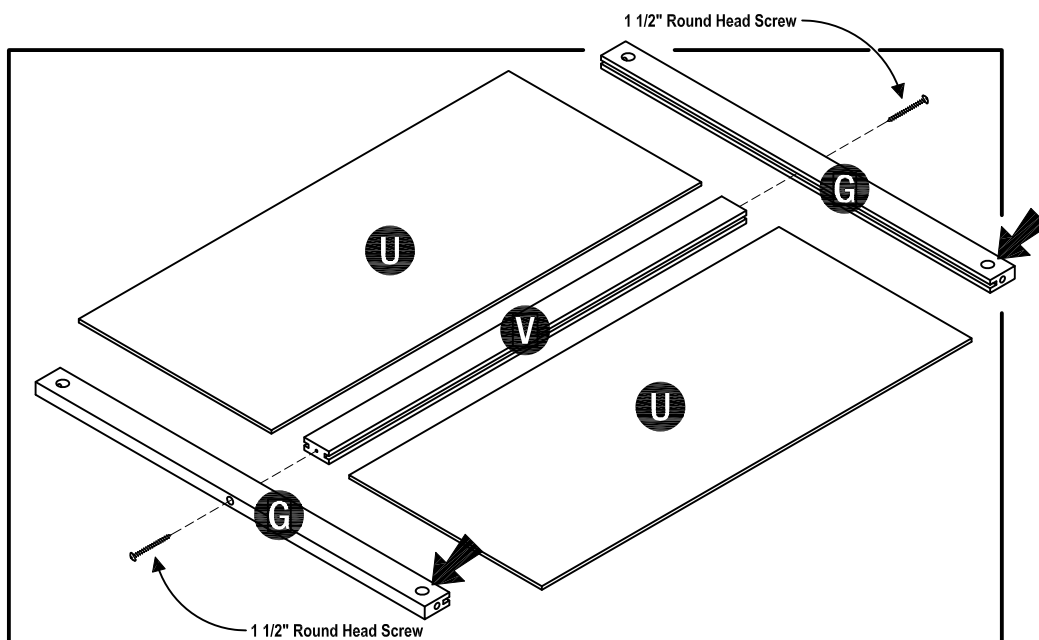
IMPORTANT

- * Do not tighten up all the screws until each part is properly assembled.
- * Use a soft cloth between these parts and the floor.
- * After assembly, item must be level to work properly.
Use the included adjustable levellers to level.



STEP 1

Insert Cam Lock Screws into the pre-drilled holes of Top (M), Side Panels (N) and (O) and Bottom Rail (T).



STEP 2

Attach Back Pieces (G) to Back Piece (V) using 1 1/2" Round Head Screws.

Slide Back Panels (U) into the grooves.

Assembly Instructions 3/14

STEP 3

Attach Magnets to Front Piece (Q) using 1/2" Round Head Screws.

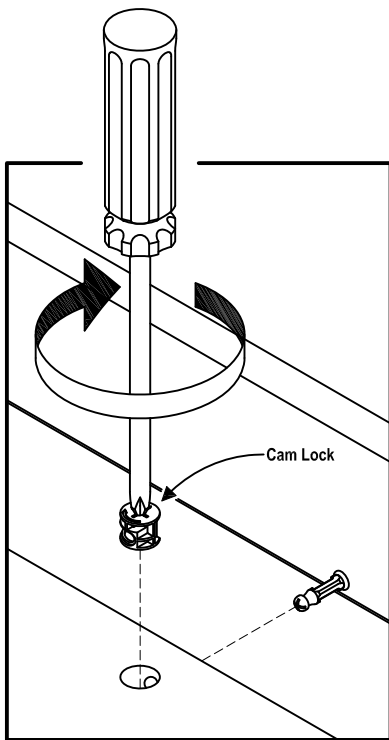
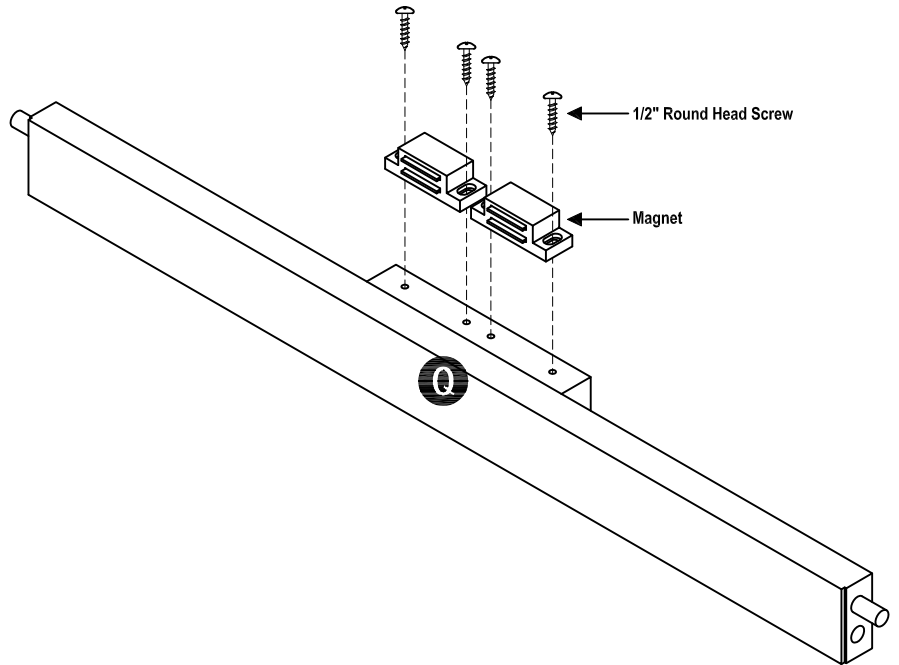
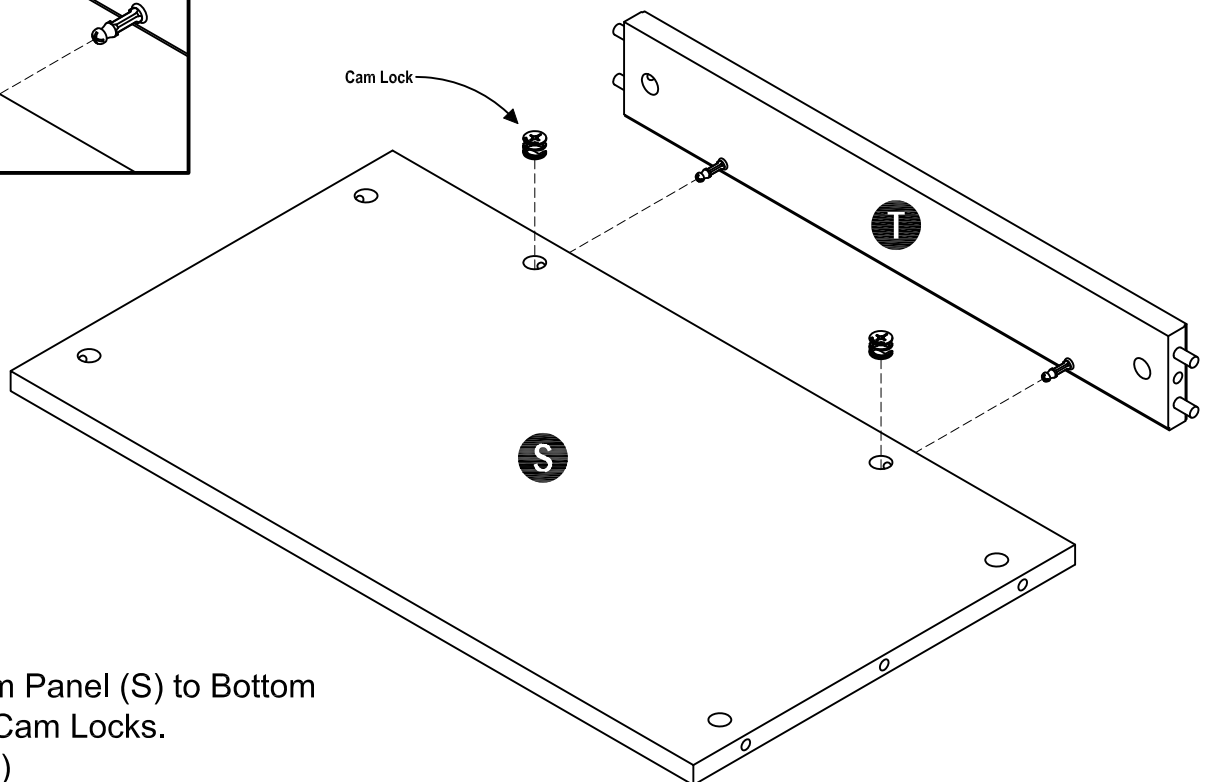


Figure 1



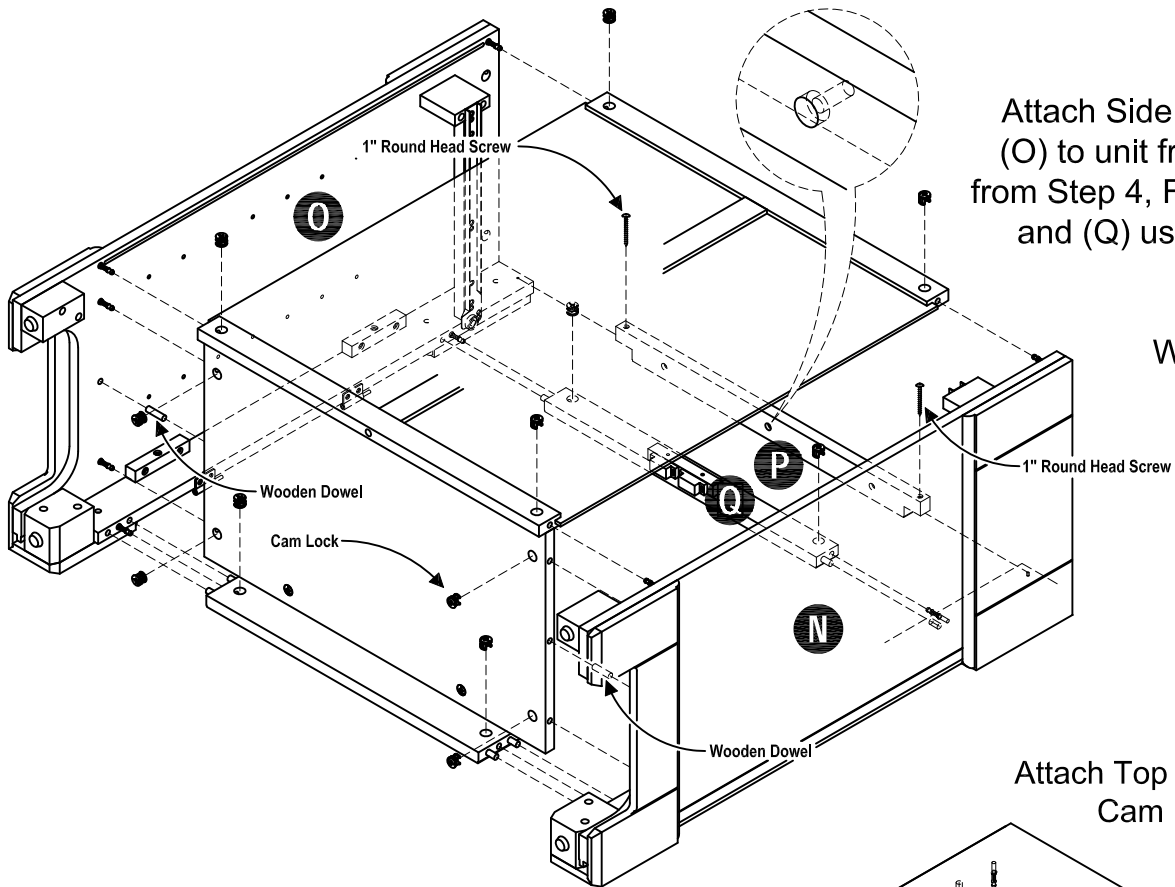
STEP 4

Attach Bottom Panel (S) to Bottom Rail (T) with Cam Locks.
(see Figure 1)

Assembly Instructions 4/14

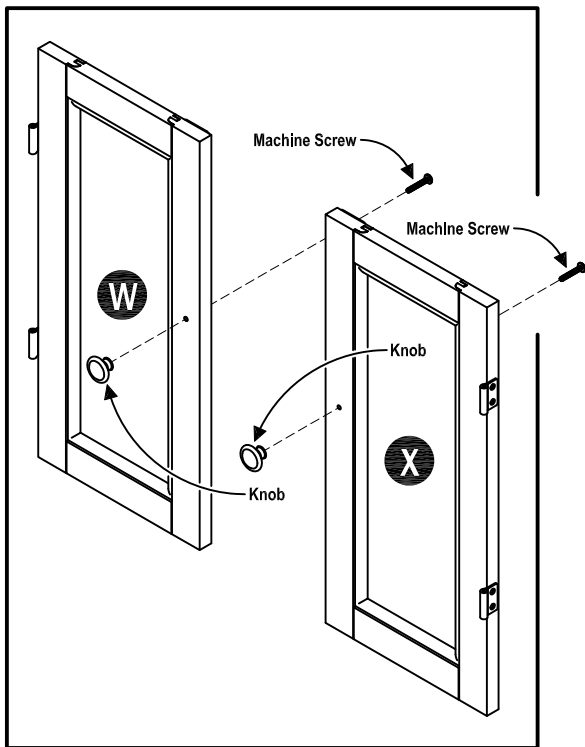
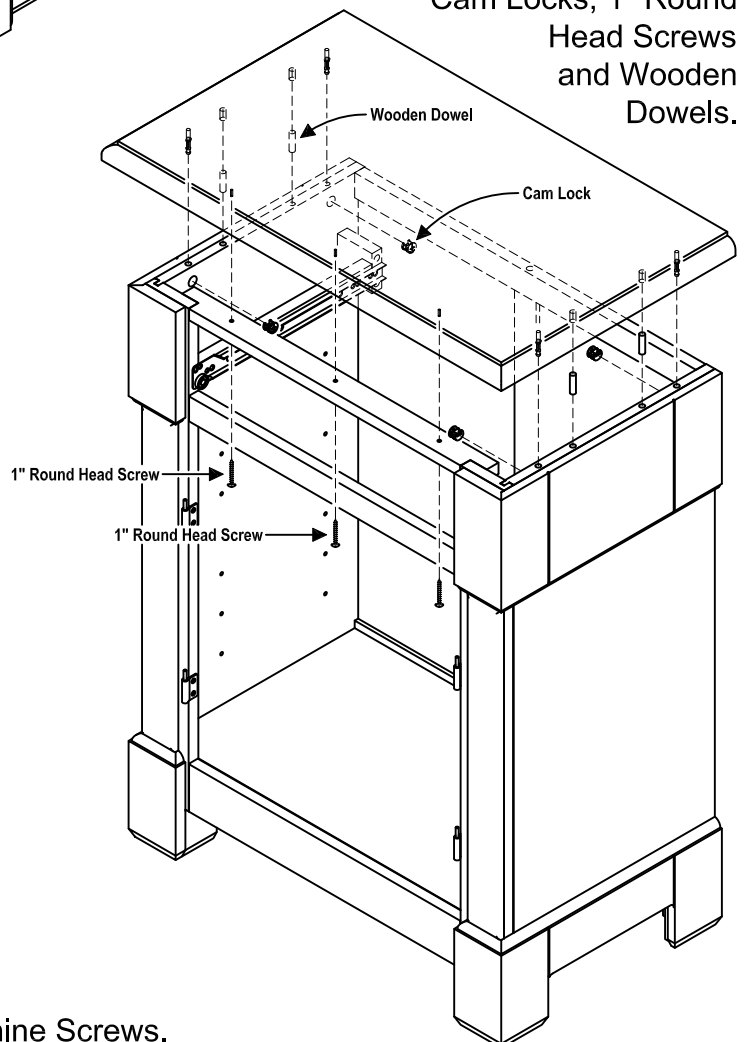
STEP 5

Attach Side Panels (N) and (O) to unit from Step 2, unit from Step 4, Front Pieces (P) and (Q) using Cam Locks, 1" Round Head Screws and Wooden Dowels.



STEP 6

Attach Top (M) to unit using Cam Locks, 1" Round Head Screws and Wooden Dowels.



STEP 7

Attach Knobs to Doors (W) and (X) using Machine Screws.

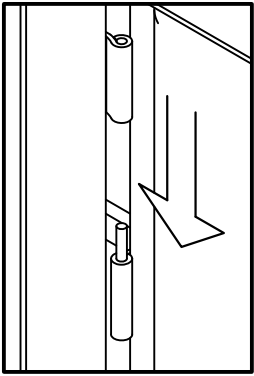


Figure 2

STEP 8

Attach Doors (W) and (X) by sliding the Doors lift hinges into the Side Panels lift hinges. (See figure 2)

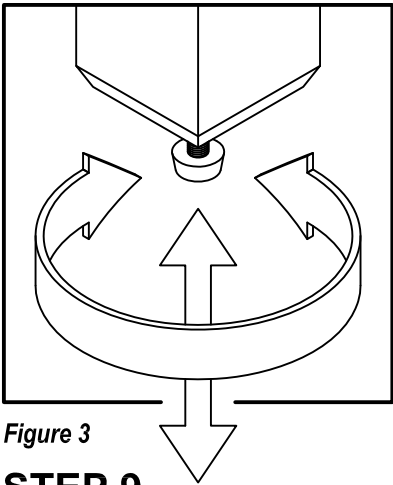
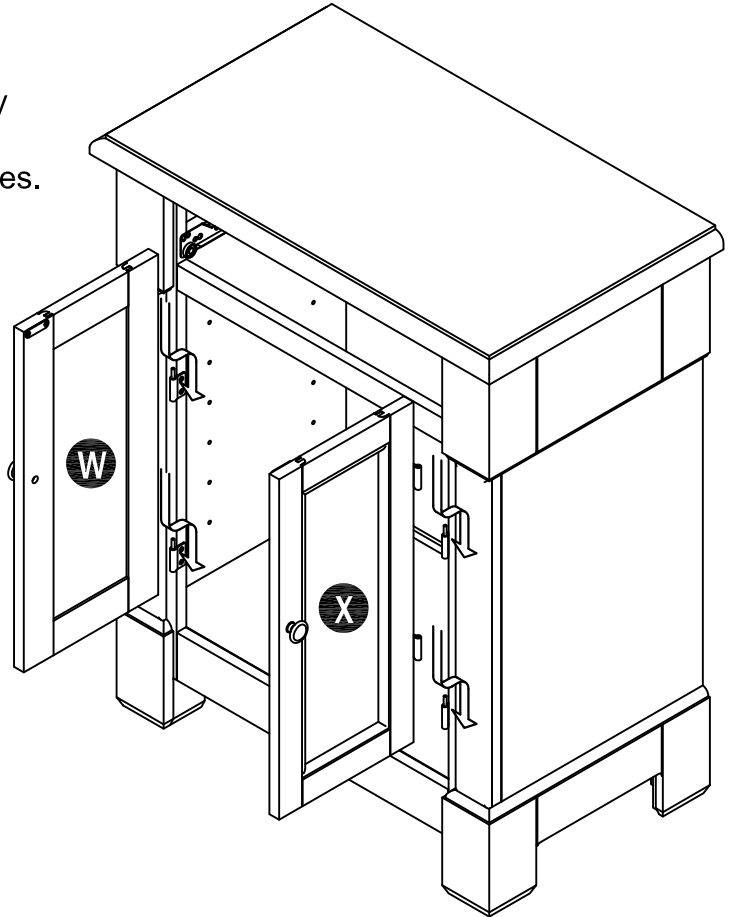


Figure 3

STEP 9

To level the unit, adjust the adjustable levelers on the bottom.

Note: Unit must be level to work properly.
(see Figure 3)

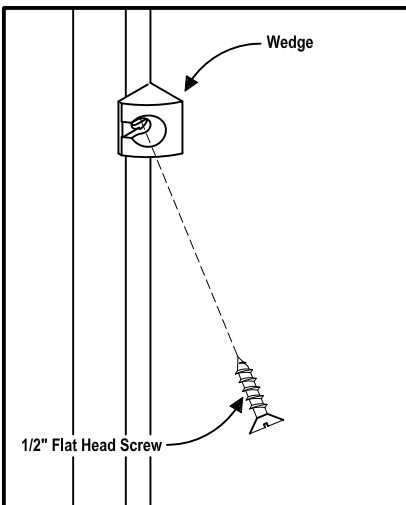
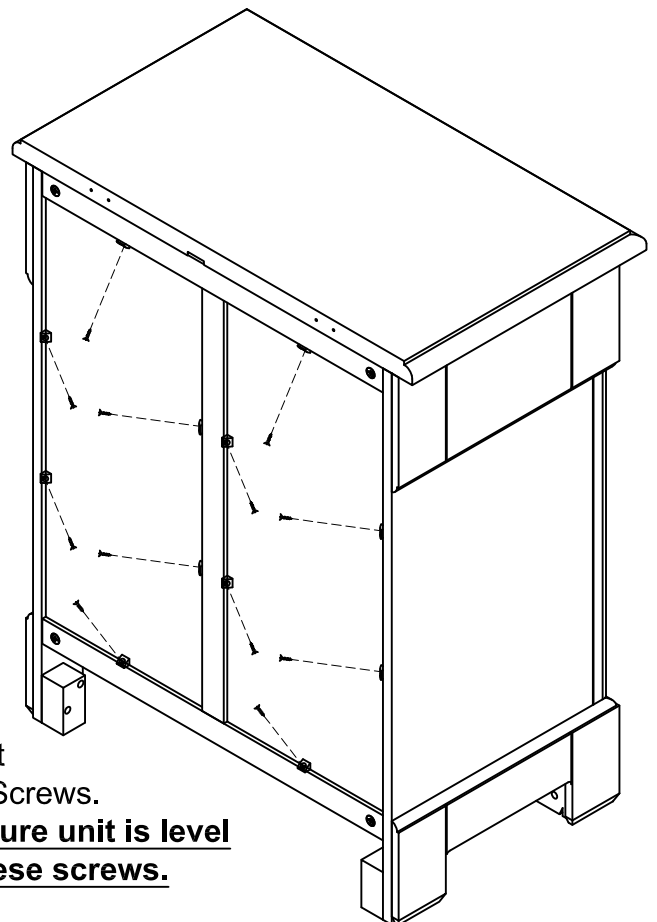


Figure 4

STEP 10

Attach Wedges to unit using 1/2" Flat Head Screws.

Note: Please make sure unit is level before tightening these screws.

(see Figure 4)

STEP 11

Insert Adjustable Pins into Side Panels at the desired level.
(see Figure 5)

Place Shelf (R) into position.

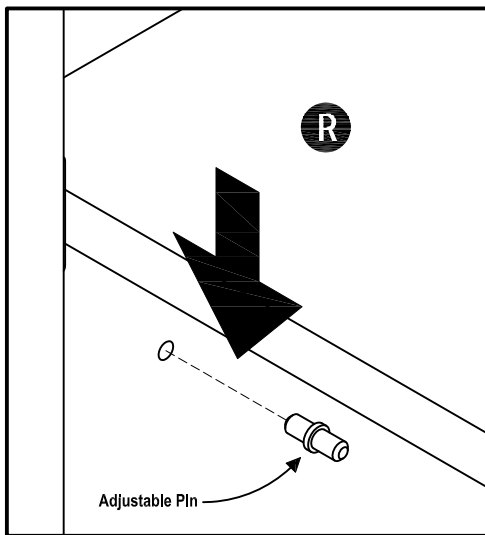
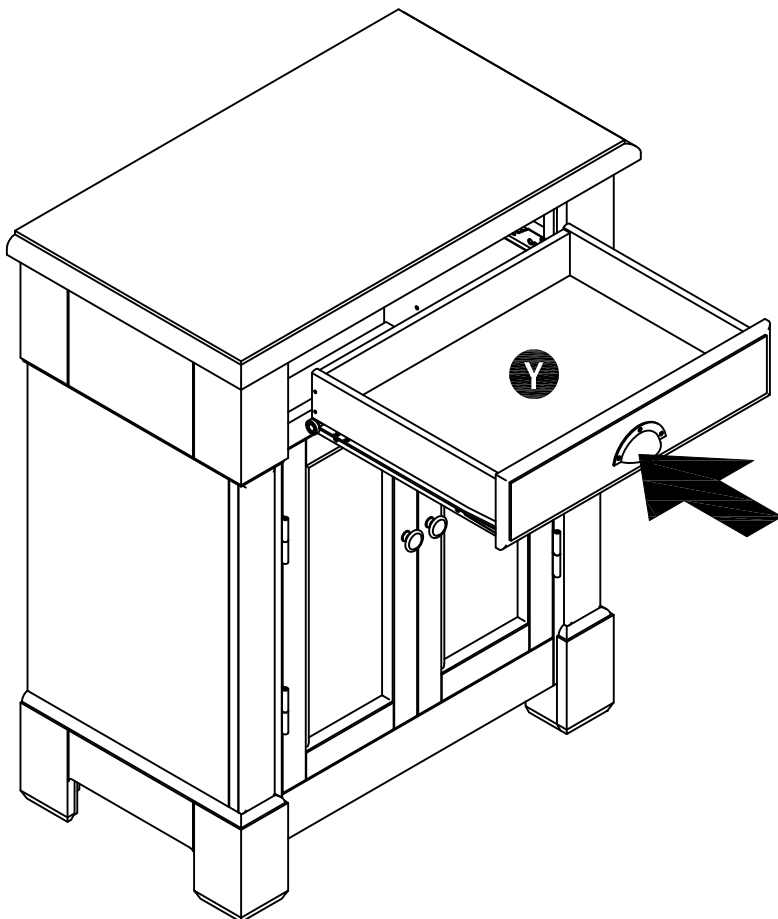
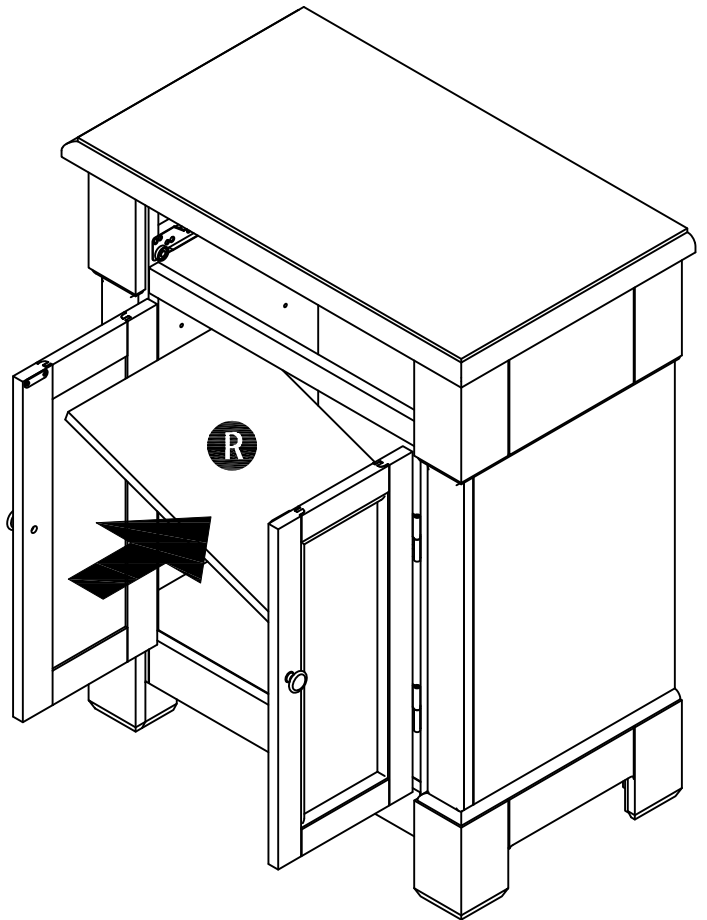


Figure 5



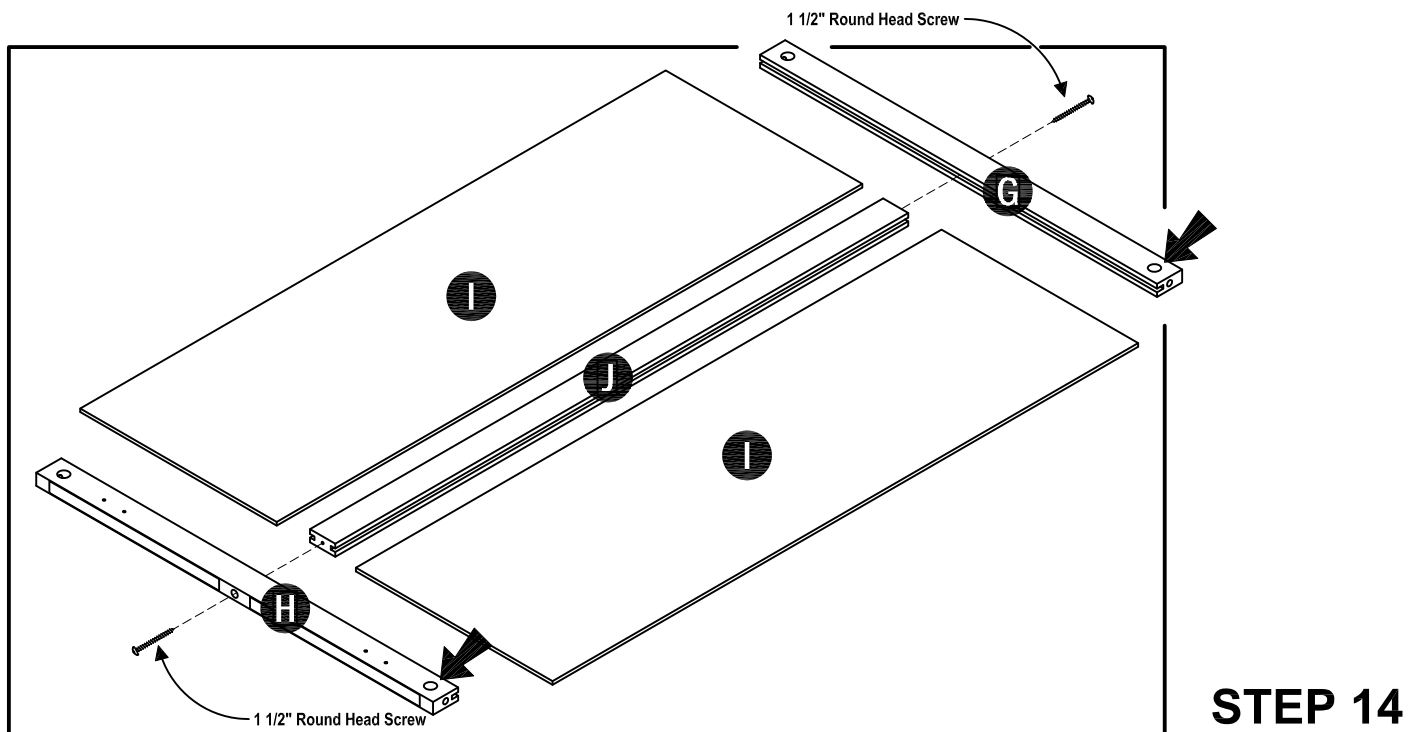
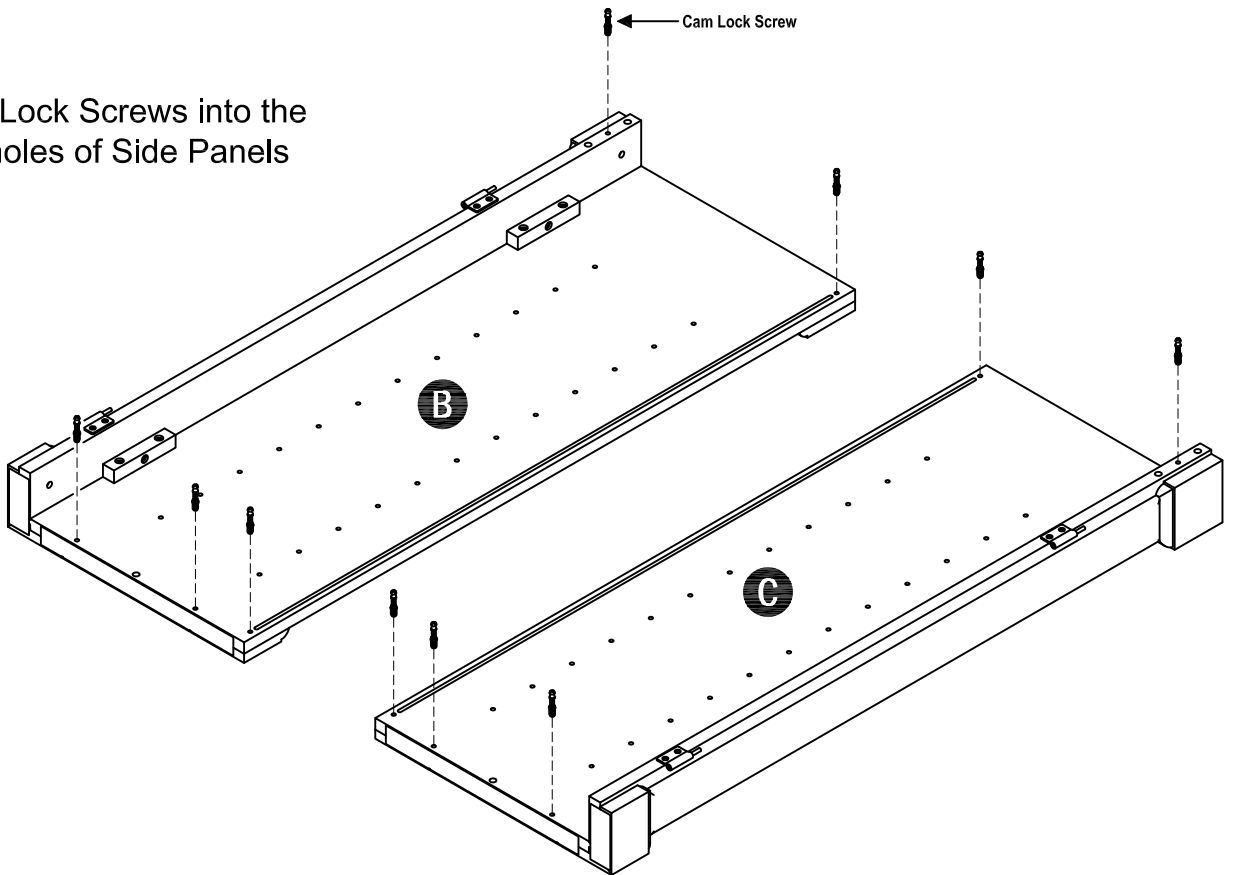
STEP 12

Insert Drawers (Y) into unit.

Assembly Instructions 7/14

STEP 13

Insert Cam Lock Screws into the pre-drilled holes of Side Panels (B) and (C).



STEP 14

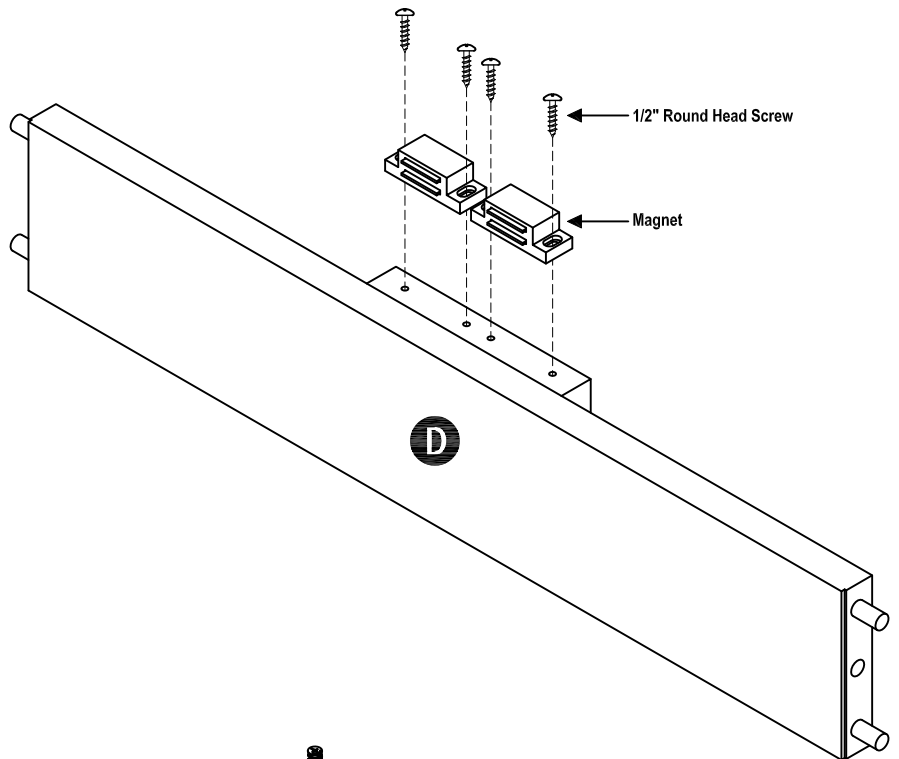
Attach Back Pieces (G) and (H) to Back Piece (J) using 1 1/2" Round Head Screws.

Slide Back Panels (I) into the grooves.

Assembly Instructions 8/14

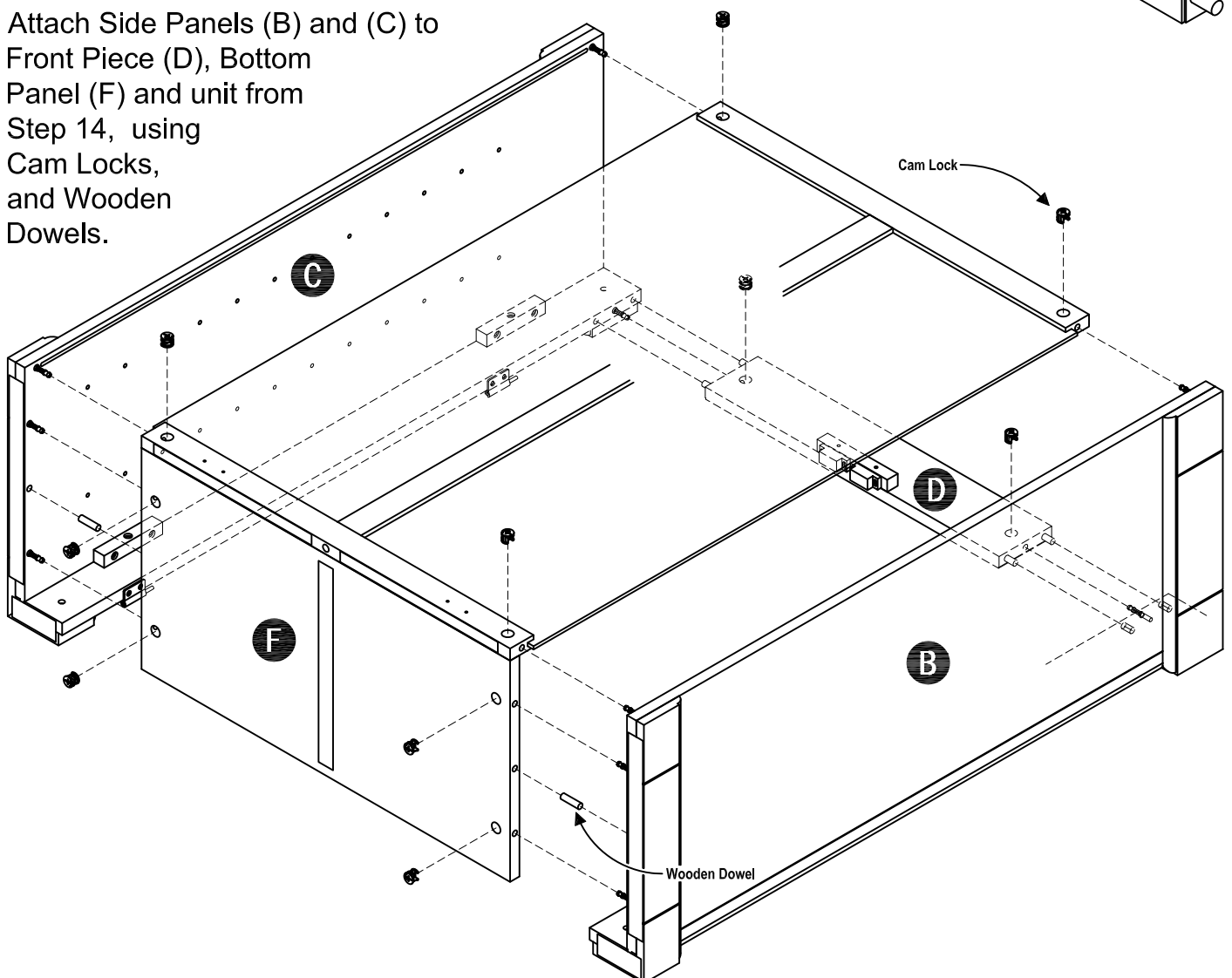
STEP 15

Attach Magnets to Front Piece (D) using 1/2" Round Head Screws.



STEP 16

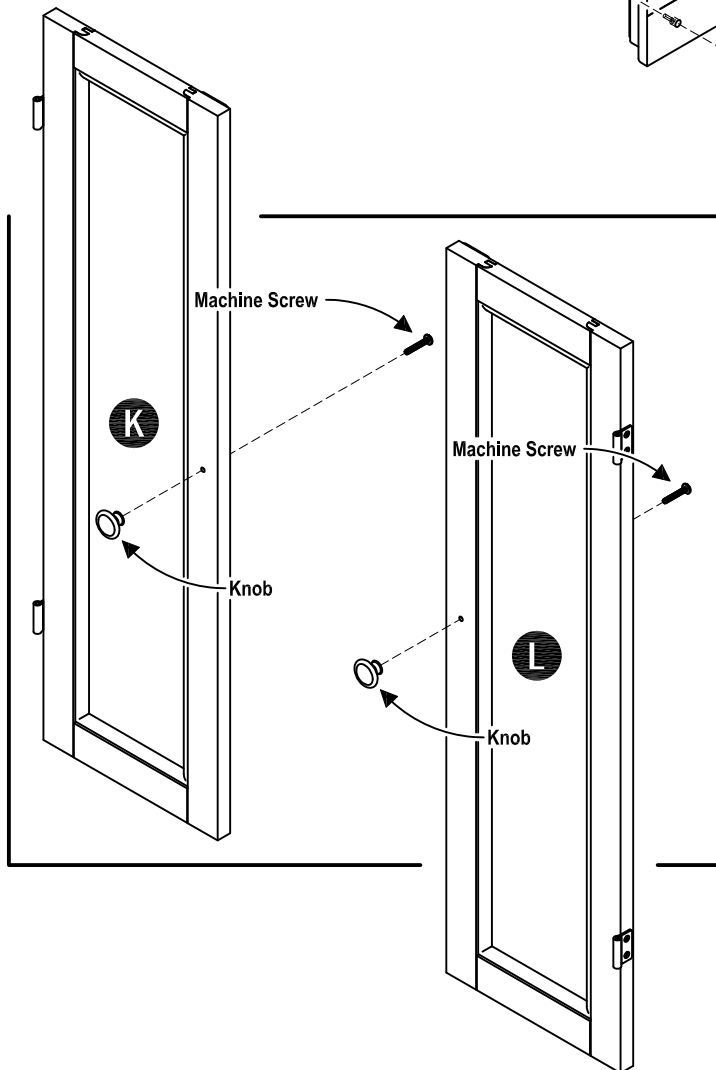
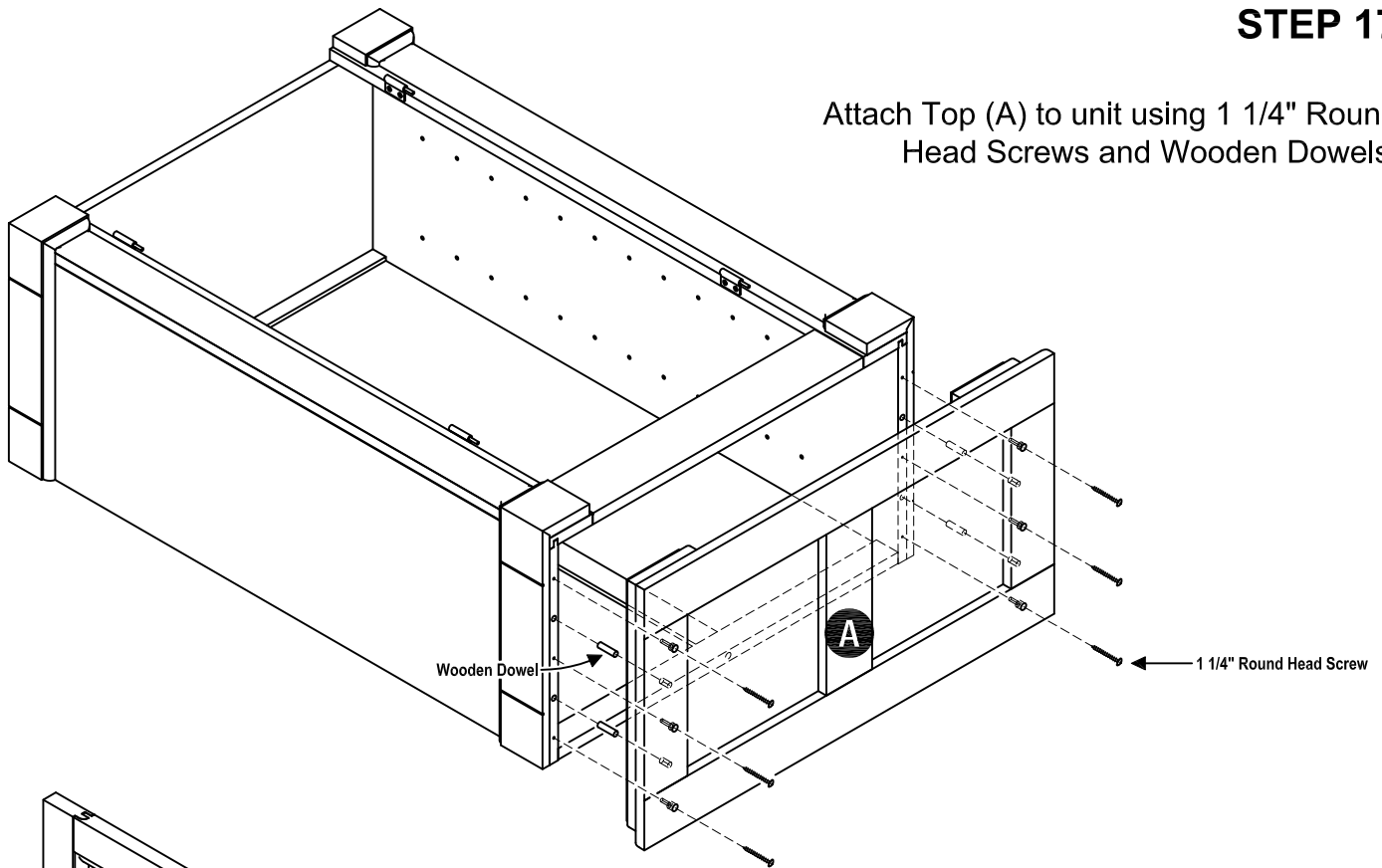
Attach Side Panels (B) and (C) to Front Piece (D), Bottom Panel (F) and unit from Step 14, using Cam Locks, and Wooden Dowels.



Assembly Instructions 9/14

STEP 17

Attach Top (A) to unit using 1 1/4" Round Head Screws and Wooden Dowels.



STEP 18

Attach Knobs to Doors (K) and (L) using Machine Screws.

Assembly Instructions 10/14

STEP 19

Attach Doors (K) and (L) by sliding the Doors lift hinges into the Side Panels lift hinges.
(see Figure 6)

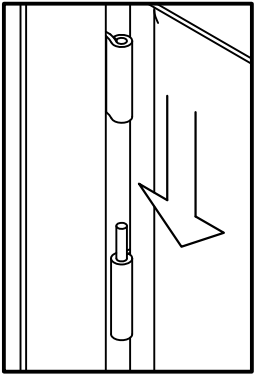
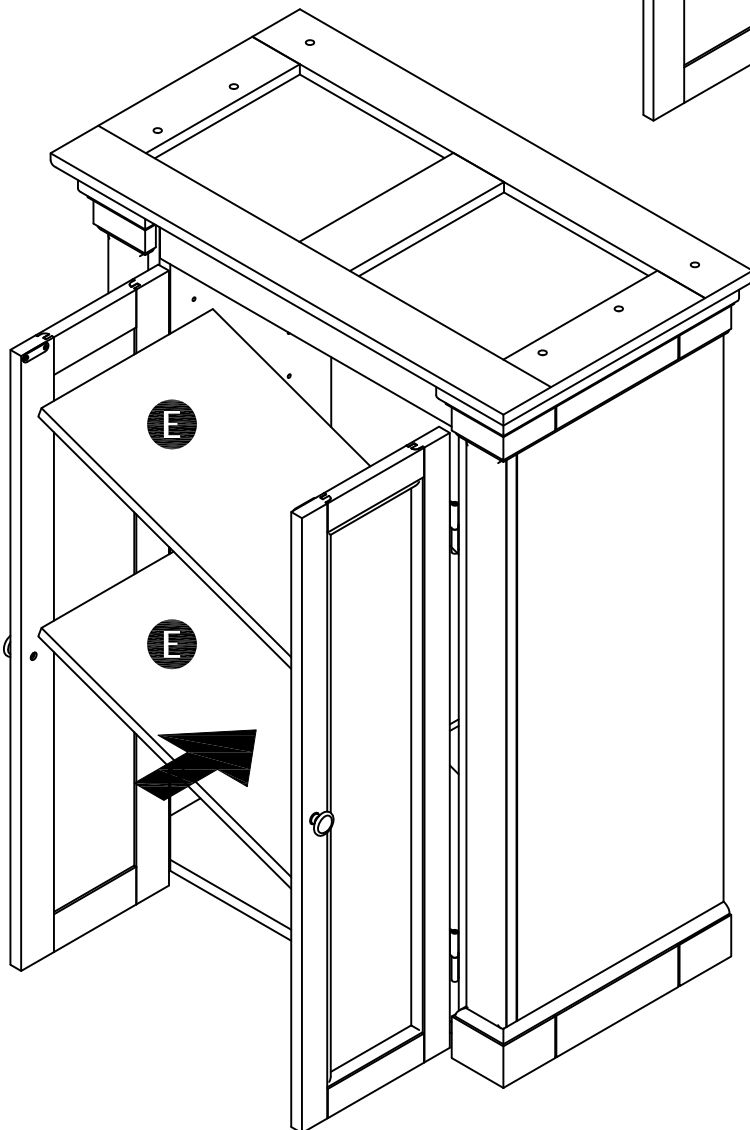
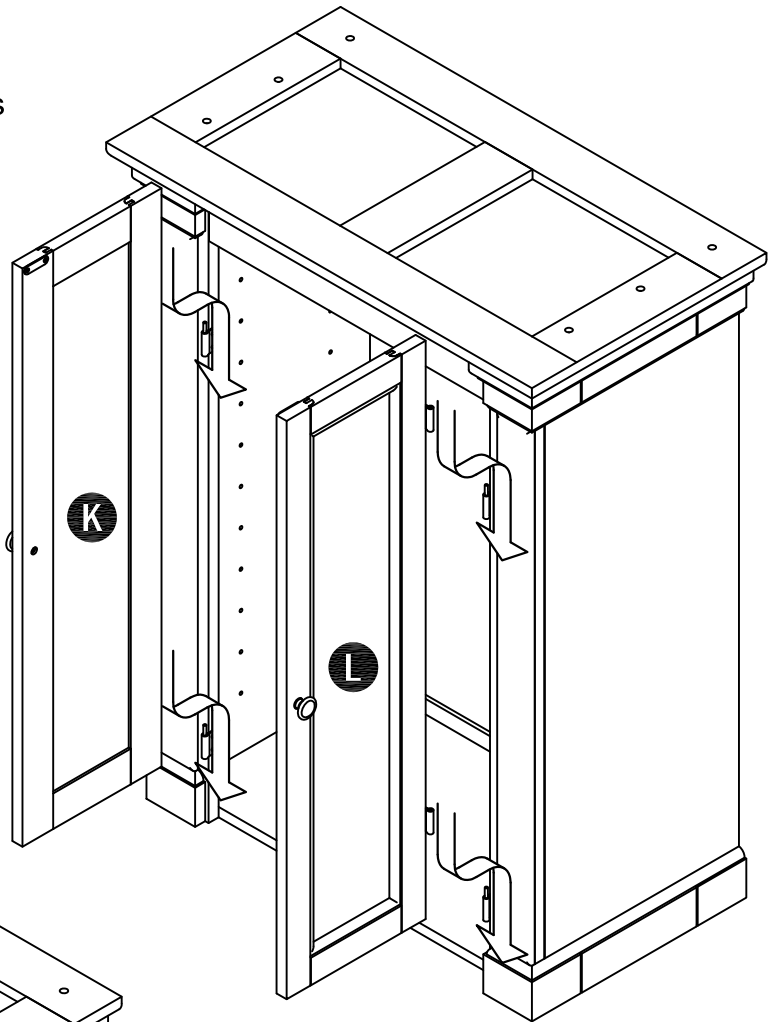


Figure 6



STEP 20

Insert Adjustable Pins into Side Panels at the desired level.
(see Figure 7)

Place Shelves (E) into position.

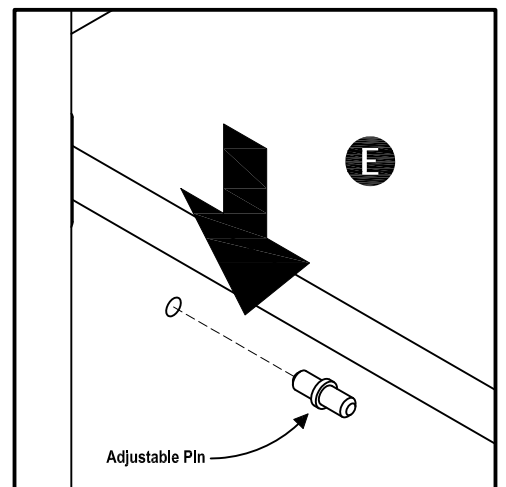
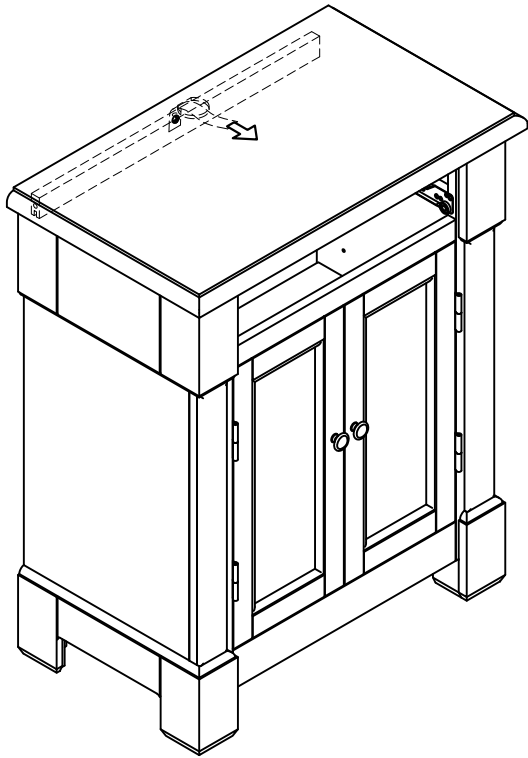


Figure 7

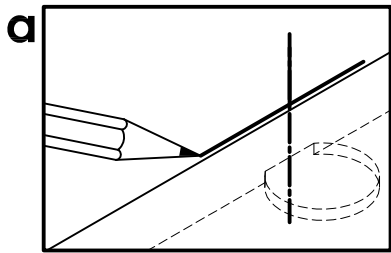
ATTENTION!

For safety reasons, please follow these instructions to prevent the unit from tipping over.

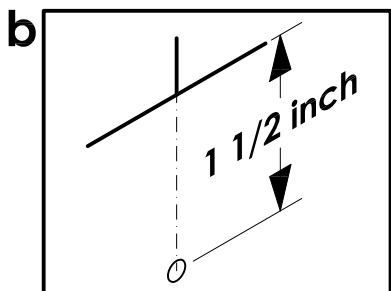
Note: You must do point c-f after STEP 22.



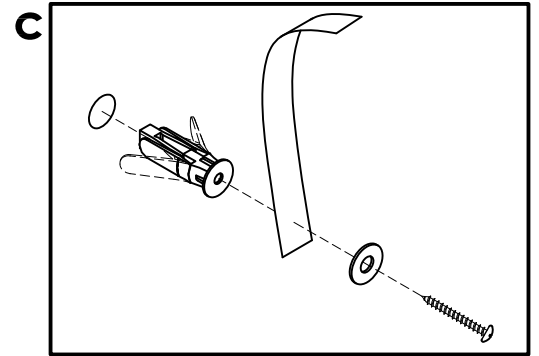
Remove Drawers (Y) from unit.



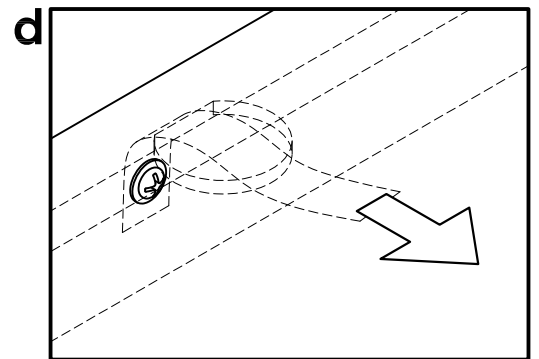
Place the unit on the wall at desired location. Mark with pencil to show the height and center of hole at Top (M).



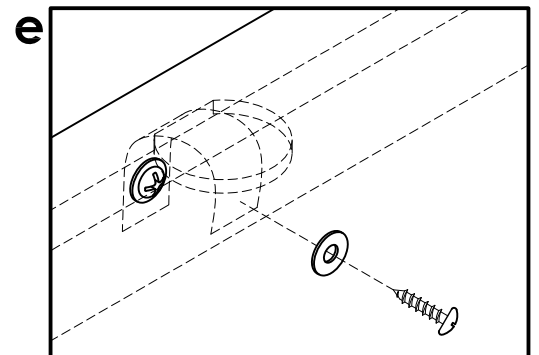
Move unit. Drill a 1/2" hole in the wall, 1 1/2 inches down and directly below the mark.



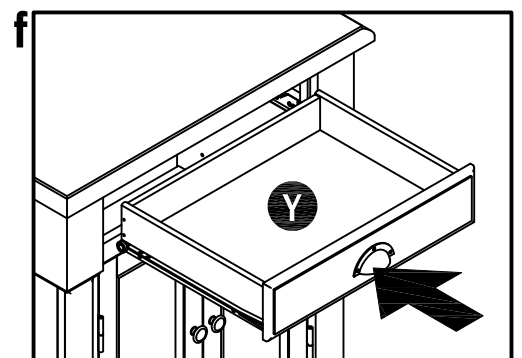
Attach Tipping Restraint to the wall using 1 1/2" Round Head Screw, Small Flat Washer & Anchor.



Insert Tipping Restraint to unit through the hole of Top (M).



Screw Tipping Restraint to unit using 1/2" Round Head Screw & Small Flat Washer.



Insert drawer (Y) into unit.

Assembly Instructions 12/14

STEP 21

Place Top Unit on Base Unit and attach Connectors using 5/8" Flat Head Screws to join the units.
(see Figure 8)

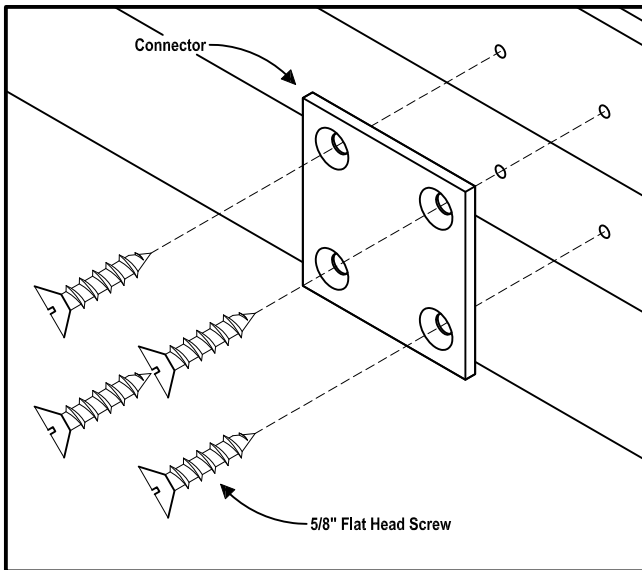
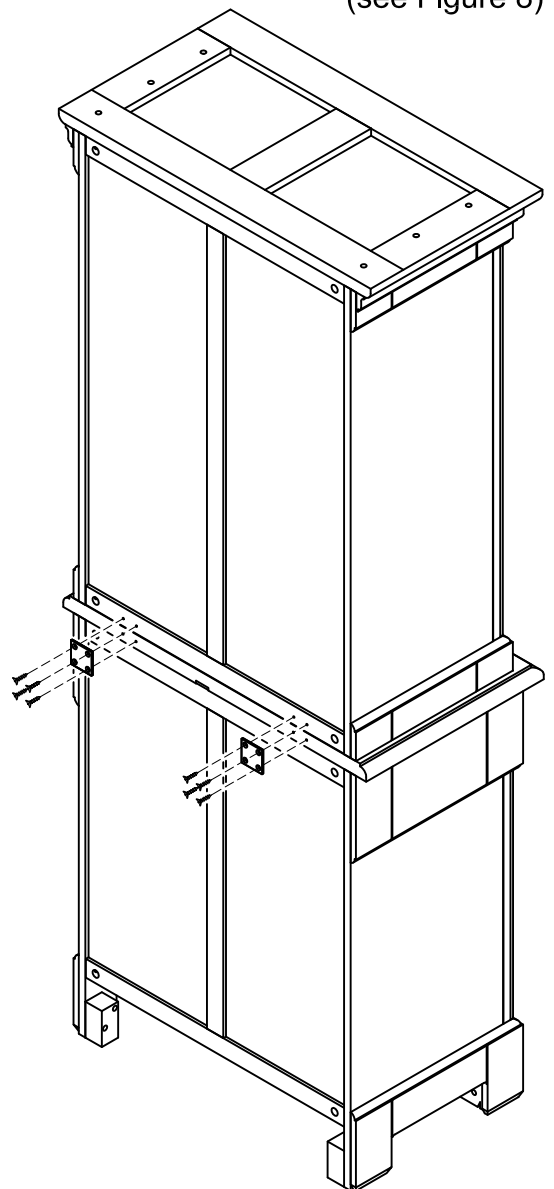
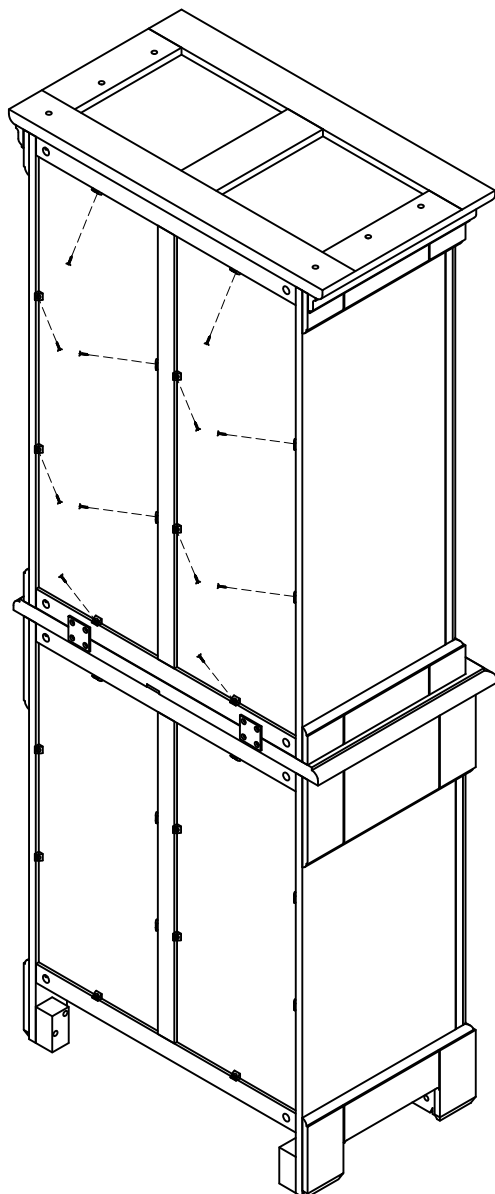


Figure 8



STEP 22

Attach Wedges to unit using 1/2" Flat Head Screws.
Note: Please make sure unit is level before tightening these screws.

(see Figure 9)

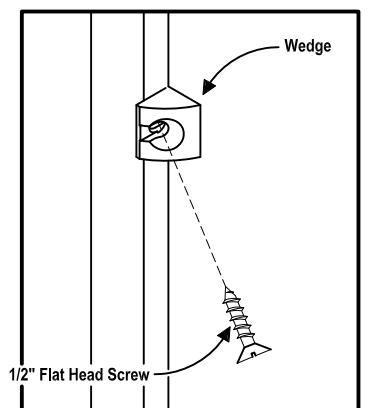
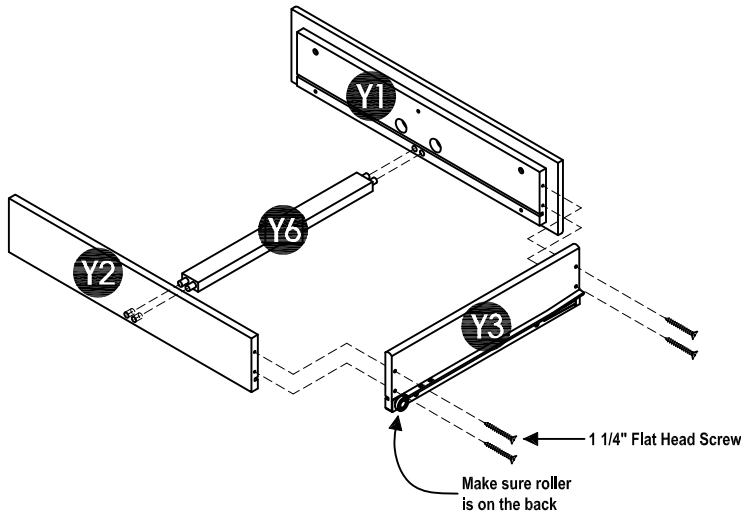


Figure 9

Drawer (Y)



STEP 1

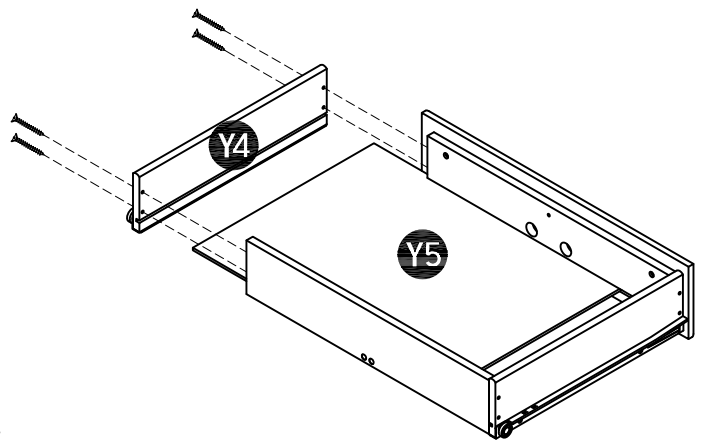
Attach Base Part (Y6) to Front Part (Y1) and Back Part (Y2).

Attach Side Part (Y3) to Front Part (Y1) and Back Part (Y2) using 1 1/4" Flat Head Screws.

STEP 2

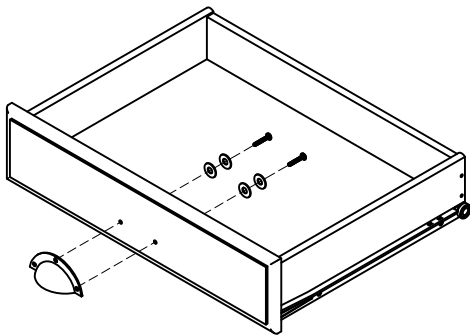
Insert Base Part (Y5) into the groove.

Attach Side Part (Y4) to unit using 1 1/4" Flat Head Screws.

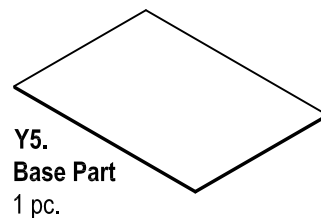
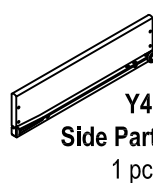
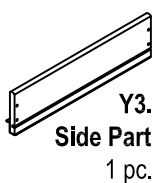
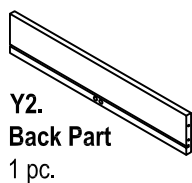
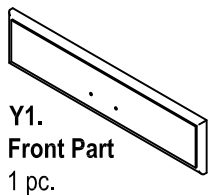


STEP 3

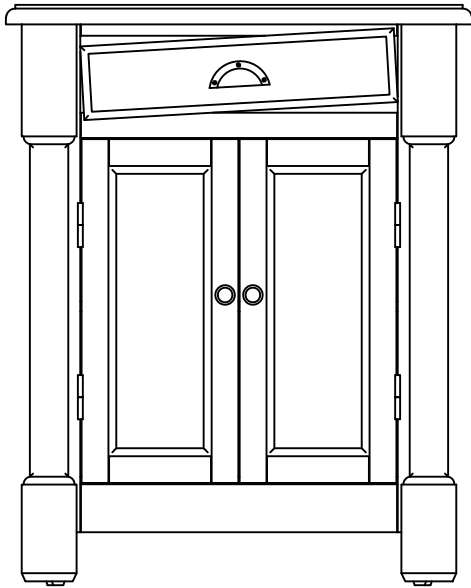
Attach Handle with Machine Screws and Large Flat Washer.



Part List



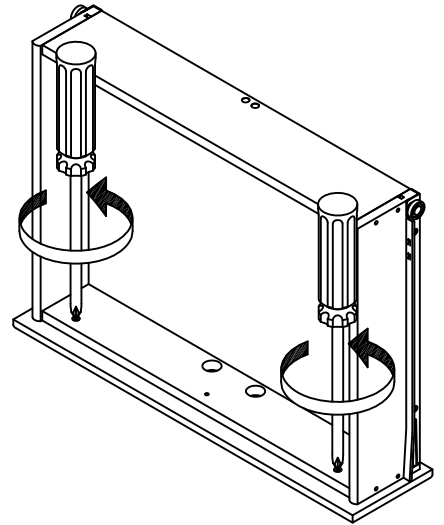
Assembly Instructions 14/14



I. IF A DRAWER DOES NOT ALIGN

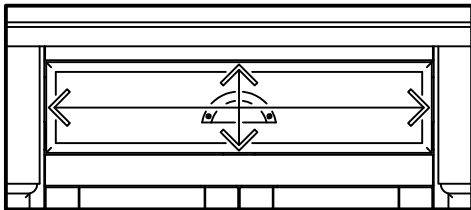
STEP 1

Loosen slightly the upper screws.

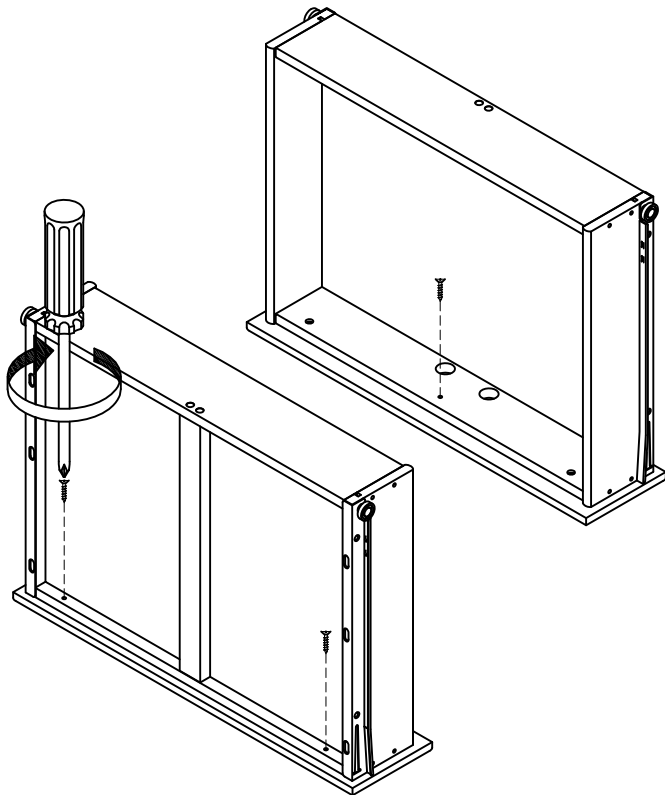


STEP 2

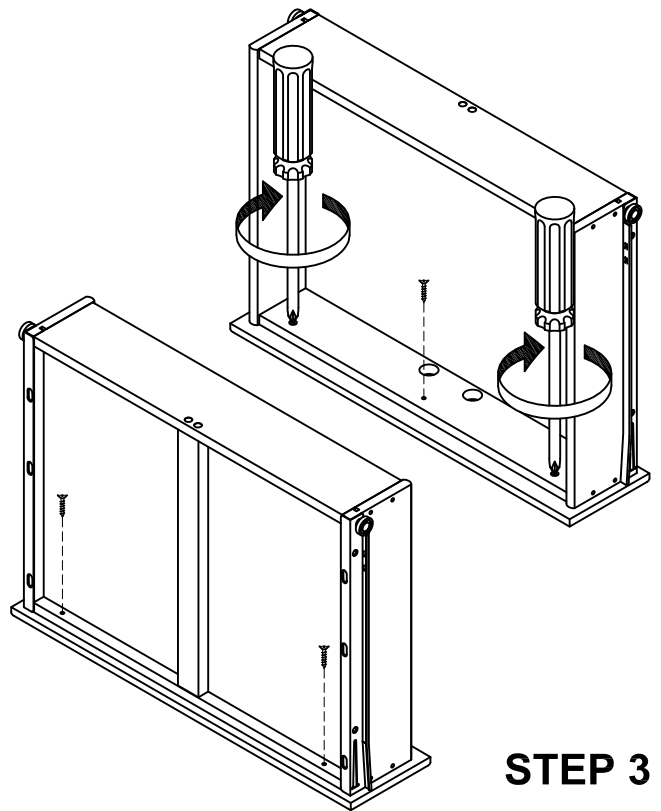
Insert the drawer into the main body, then adjust the drawer front panel left or right and up or down, until the drawer gaps look proportional.



II. IF A DRAWER ALREADY ALIGNS



Pull out drawer slowly. Lock the drawer front panel into position with 3/4" Flat Head Screws.



STEP 3

Pull the drawer open slowly and tighten the upper screws. Make sure the front panel does not move and lock the drawer front panel into position with 3/4" Flat Head Screws.

VERY IMPORTANT !!

CARE INSTRUCTIONS

NEVER

USE GLASS CLEANERS ON FINISHED FURNITURE. AMMONIA WILL CHEMICALLY ATTACK THE LACQUER.

NEVER

ALLOW LIQUIDS OF ANY KIND TO REMAIN ON THE FURNITURE. ABSORPTION CAUSES WOOD TO WARP AND SPLIT AND FINISHES TO DELAMINATE.

DO NOT WRITE DIRECTLY ON SURFACE.



PREVENT MARKING

DO NOT PLACE IN DIRECT SUNLIGHT.



PREVENT FADING

DO NOT USE COMMERCIAL WAXES AND POLISHES.



PREVENT YELLOWING

DO NOT PLACE HOT OBJECTS ON SURFACE.



PREVENT FINISH DAMAGE

DO NOT USE RUBBER BASED PLACE MATS.



PREVENT DISCOLORING

TO CLEAN

USE A SOFT CLOTH MOISTENED IN LEMON OIL POLISH OR LUKEWARM SOAP AND WATER, THEN BUFF WITH A DRY CLEAN CLOTH.



Home Styles will provide replacements free of charge for missing or damaged hardware or parts within 30 days of purchase. Digital images of the defective parts may be required. If this product was not purchased from an authorized retail affiliate, Home Styles is under no obligation to provide replacement parts. Parts are not available for fully assembled items nor are parts available for sale. Replacements for missing or damaged hardware or parts may be requested at:

www.homestyles-furniture.com/customer_service

Home Styles Consumer Assistance: www.homestyles-furniture.com,
servicedesk@homestyles-furniture.com, 888-680-7460, 877-831-0319