

88564488C

Barstool 29" High (Black / Cottage Oak Seat)

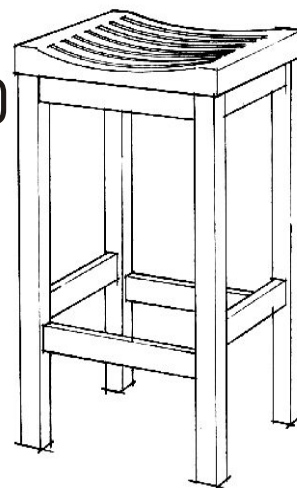
IMPORTANT NOTE

Carefully remove all the parts from the carton and put them individually on a soft cloth to prevent scratches or other damages occurring to the wood parts.

We have taken great care in the design of this product and request that you carefully and strictly follow our assembly instructions to ensure a completed product as it was designed.

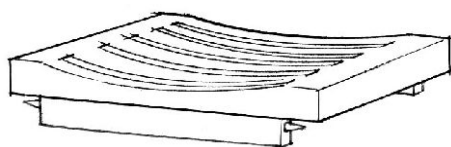


Casual Attire For Today's Home

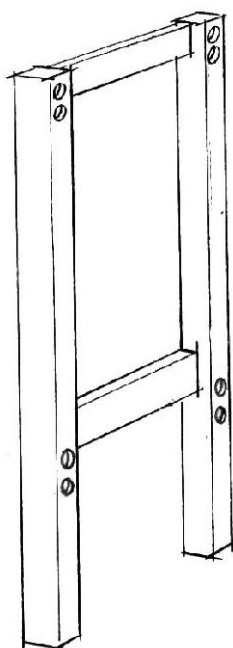


Thai Patent Pending Numbers 100109

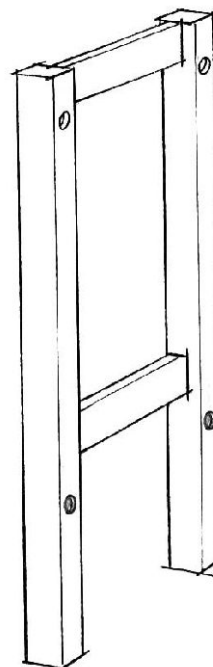
PART LIST



A.
Seat
1 pc.



B.
Leg
1 pc.



C.
Leg
1 pc.



D.
Stretcher
2 pcs.

HARDWARE LIST



Hex Wrench
1 pc.



Head Cap Bolt
8 pcs. (+1 extra)



Cross Dowel
8 pcs. (+1 extra)



Wood Plug
8 pcs.
(+1 extra)

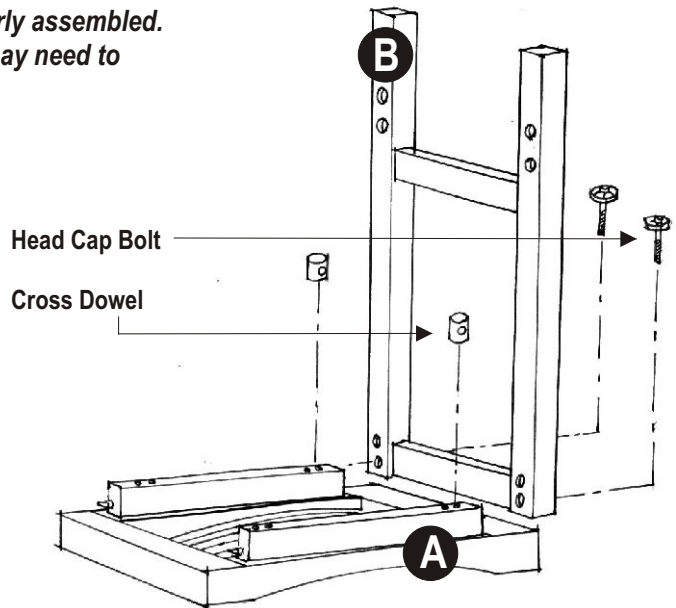
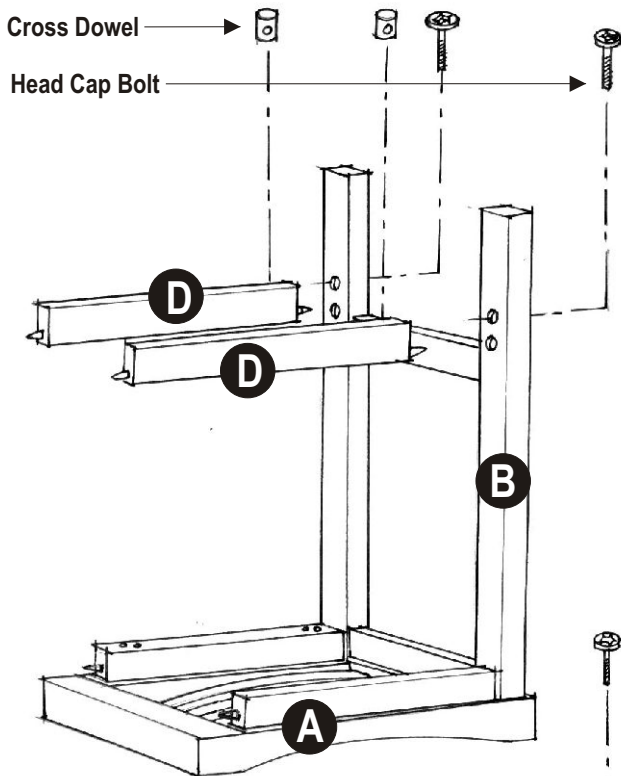
Assembly Instructions

IMPORTANT NOTE

Do not tighten up all the screws until each part is properly assembled.
You should keep Hex Wrench in the safe place as you may need to tighten up the Head Cap Bolts in the future.

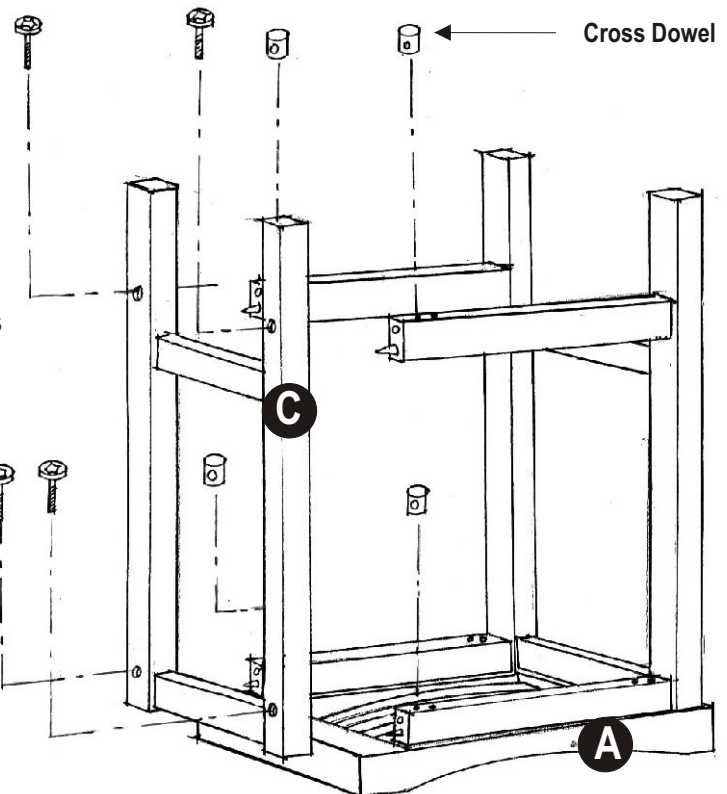
STEP 1

Attach the Leg (B) to the Seat (A), using Head Cap Bolts and Cross Dowels.



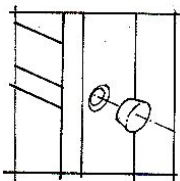
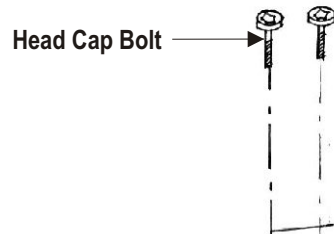
STEP 2

Attach the Stretcher (D) to the Leg (B), using Head Cap Bolts and Cross Dowels.



STEP 3

Attach the Leg (C) to the unit, using Head Cap Bolts and Cross Dowels



STEP 4

Cover up all holes with Wood Plugs