

88598735 Pub Table (Coffee Finish)

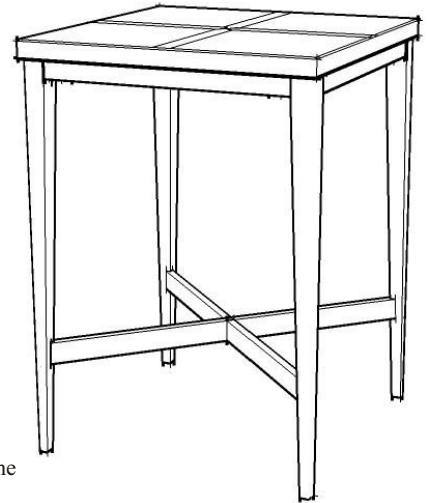
IMPORTANT NOTE

Carefully remove all the parts from the carton and put them individually on a soft cloth to prevent scratches or other damages occurring to the wood parts.

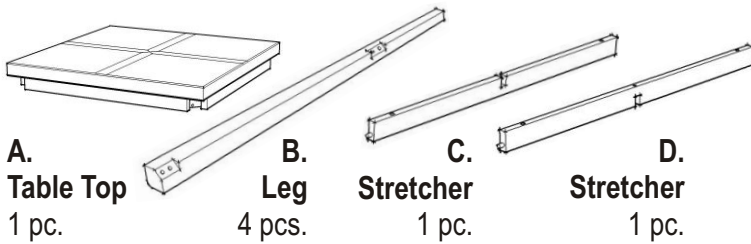
We have taken great care in the design of this product and request that you carefully and strictly follow our assembly instructions to ensure a completed product as it was designed.



Casual Attire For Today's Home



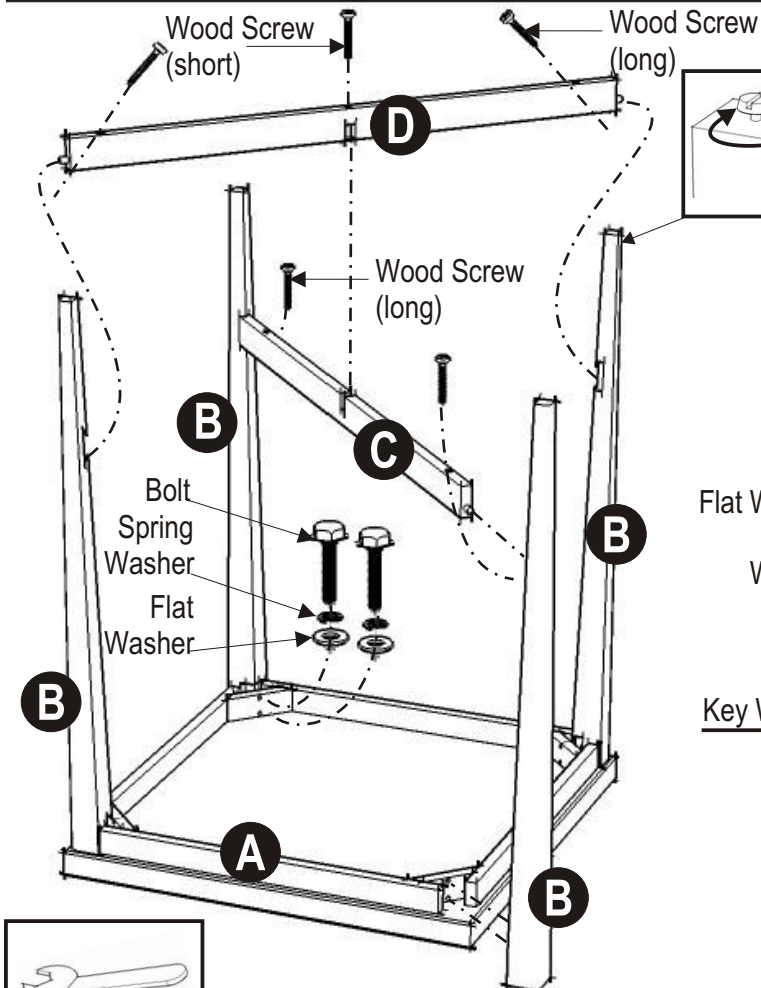
PART LIST



HARDWARE LIST



Assembly Instructions

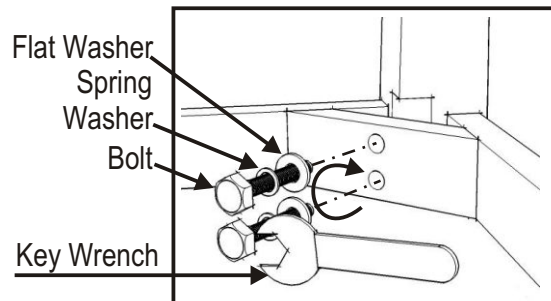


Turn over Table Top (A) and place it on a soft cloth.

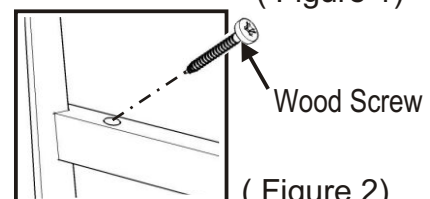
Assemble Leg (B) with Bolts, Spring Washers and Flat Washers, then tighten Bolts only half way. (See figure 1)

Attach Stretcher (C) and (D) across the legs, using Wood Screws. (See figure 2)
Tighten up all Bolts.

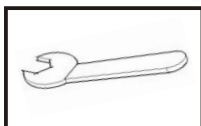
Turn the table back to its normal position.



(Figure 1)



(Figure 2)



Please keep the Key Wrench in a safe place as you may need to retighten up the Bolts in the future.

Tools required for assembly: Phillips screwdriver