

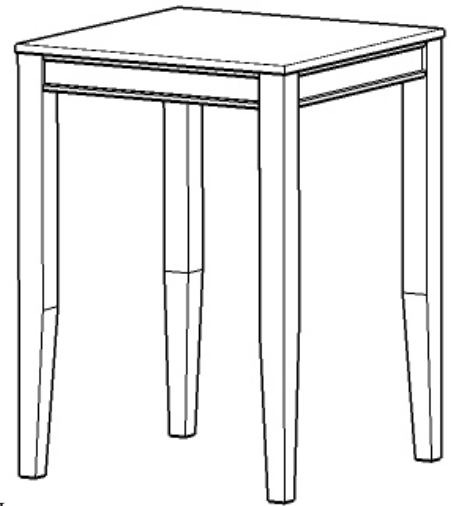
88 5120 35C

Pub Table Set with Decorative Copper Accents (Set includes two Bar stools and one High Table)

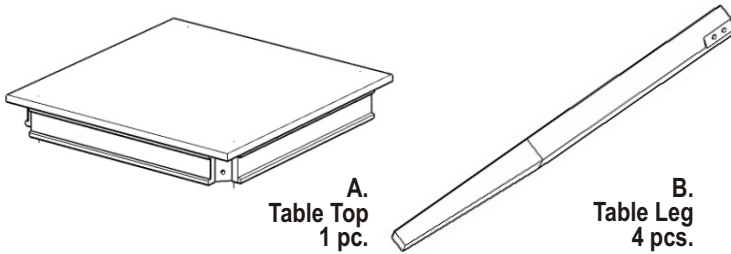
Thank you for purchasing our quality products. Please carefully check quantity of the parts and hardware. Please also read this Assembly Instructions until you understand clearly how to put the parts together, then start assembling step by step.



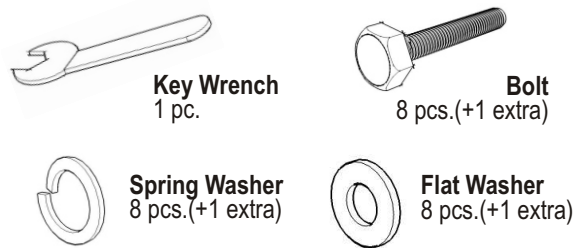
Casual Attire For Today's Home



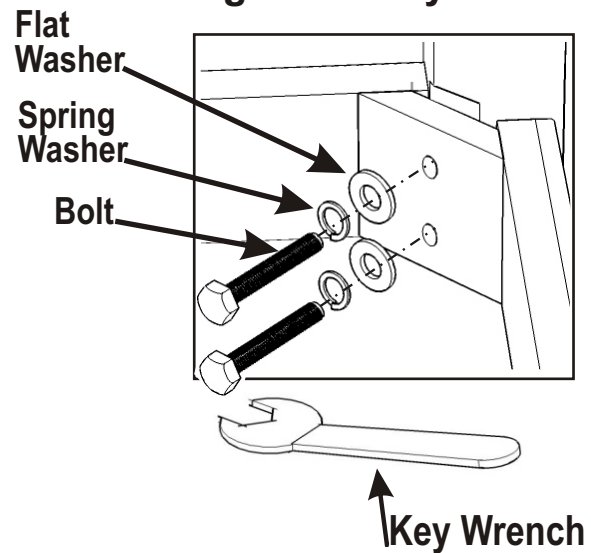
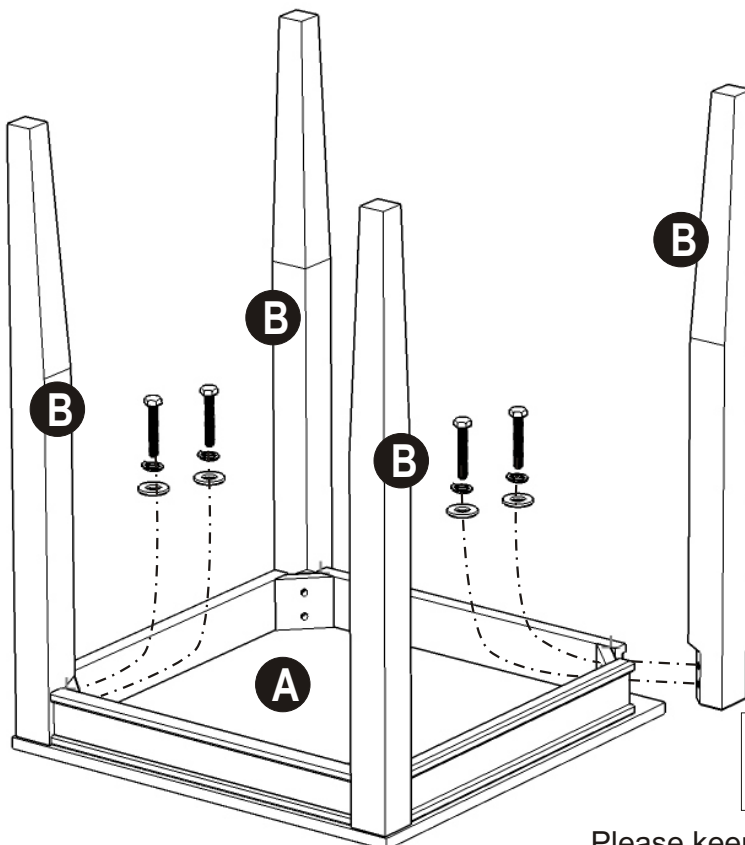
PART LIST



HARDWARE LIST



Leg Assembly Details



Leg Assembly

Place the Table Top (A) upside down on the soft material. Assemble the legs with Bolts, Spring Washer and Flat Washer. Tighten all the Bolts with Key Wrench.

Please keep the Key Wrench as you may need to retighten the Bolts in the future.

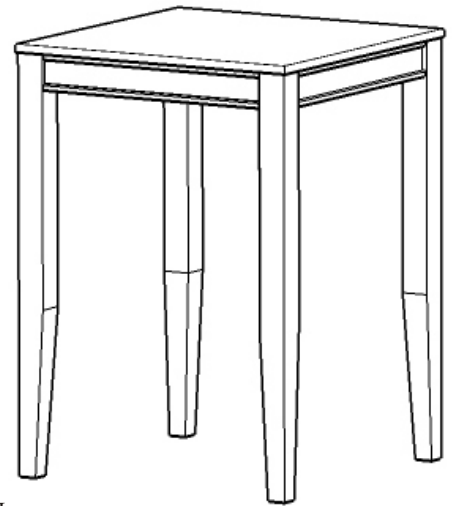
88 5123 35C

Pub Table Set with Decorative Stainless Steel Accents (Set includes two Bar stools and one High Table)

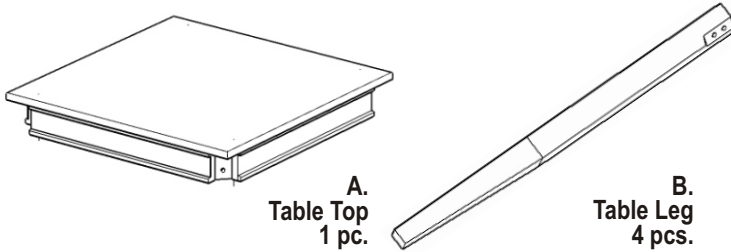
Thank you for purchasing our quality products. Please carefully check quantity of the parts and hardware. Please also read this Assembly Instructions until you understand clearly how to put the parts together, then start assembling step by step.



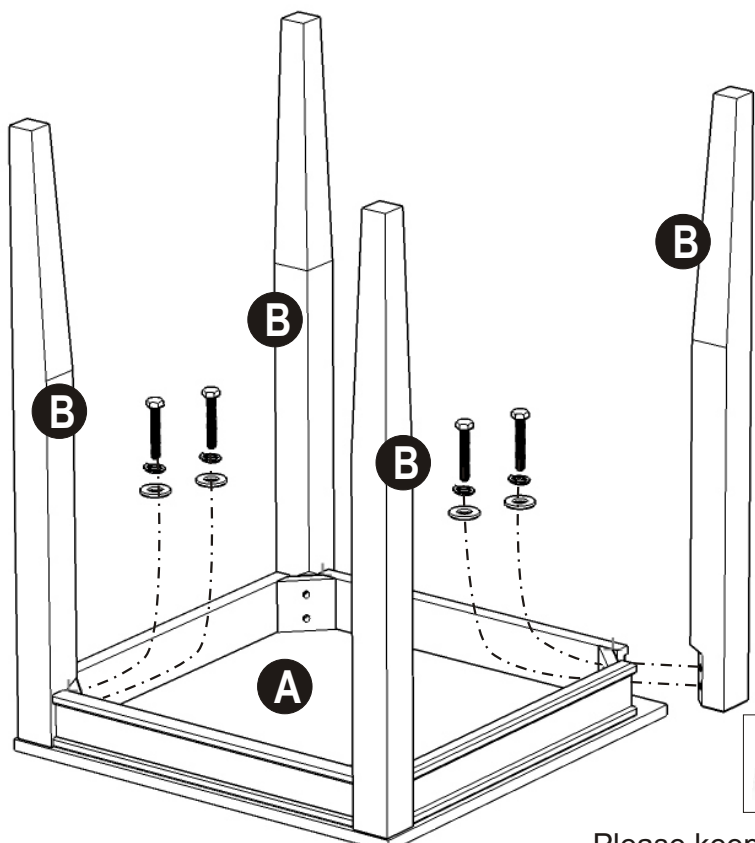
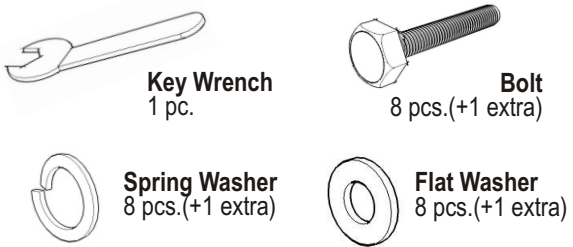
Casual Attire For Today's Home



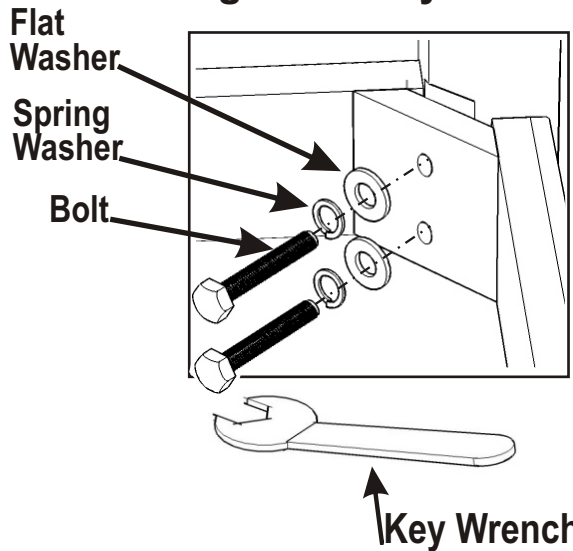
PART LIST



HARDWARE LIST



Leg Assembly Details



Leg Assembly

Place the Table Top (A) upside down on the soft material. Assemble the legs with Bolts, Spring Washer and Flat Washer. Tighten all the Bolts with Key Wrench.

Please keep the Key Wrench as you may need to retighten the Bolts in the future.