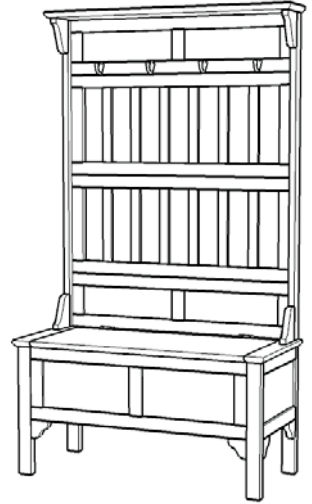


88 5650 49 Hall Tree & Storage Bench



IMPORTANT NOTE

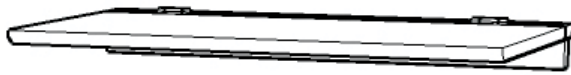
Carefully remove all the parts from the carton and put them individually on a soft cloth to prevent scratches or other damages occurring to the wood parts.

We have taken great care in the design of this product and request that you carefully and strictly follow our assembly instructions to ensure a completed product as it was designed.



Casual Attire For Today's Home

BASE UNIT PART LIST



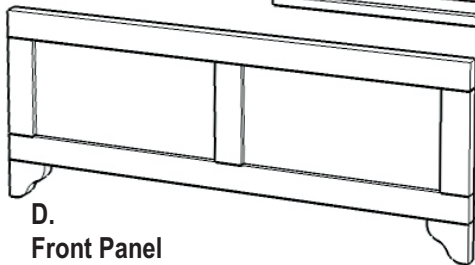
A.
Seat
1 pc.



B.
Side Panel
1 pc.

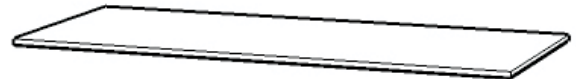


C.
Side Panel
1 pc.



D.
Front Panel
1 pc.

E.
Back Panel
1 pc.



F.
Base
1 pc.

HARDWARE LIST



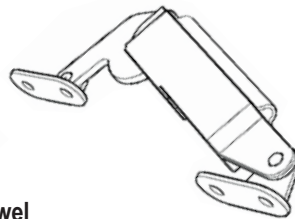
Hex Wrench
1 pc.

Head Cap Bolt (short)
3 pcs.(+ 1 extra)

Head Cap Bolt (long)
8 pcs.(+1 extra)



Cross Dowel
8 pcs.(+1 extra)



Spring Support
1 pc.



Wood Screw (for Spring Support)
4 pcs.(+1 extra)



Wood Plug
8 pcs. (+1 extra)

Tools Required For Assembly : Phillips screwdriver

Home Styles Consumer Assistance Line 888-680-7460 and 877-831-0319
servicedesk@homestyles-furniture.com

Assembly Instructions

IMPORTANT

Do not tighten up all the screws until each part is properly assembled.
You should keep Hex Wrench in a safe place as you may need to tighten up the Head Cap Bolts in the future.

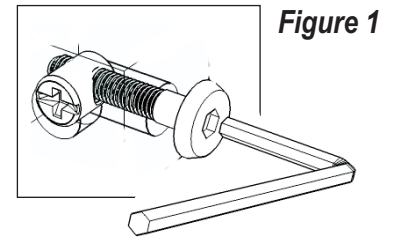
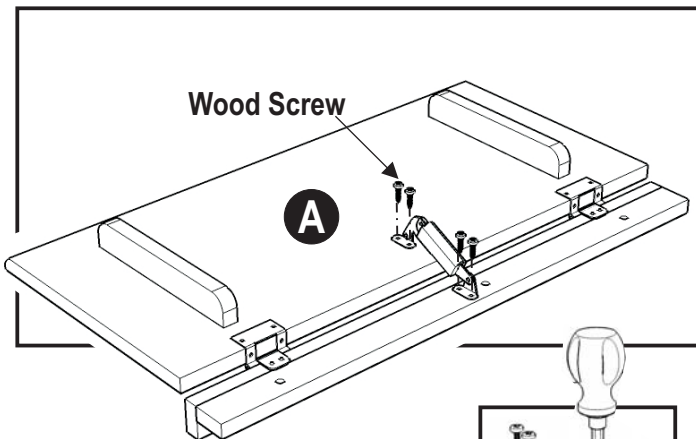
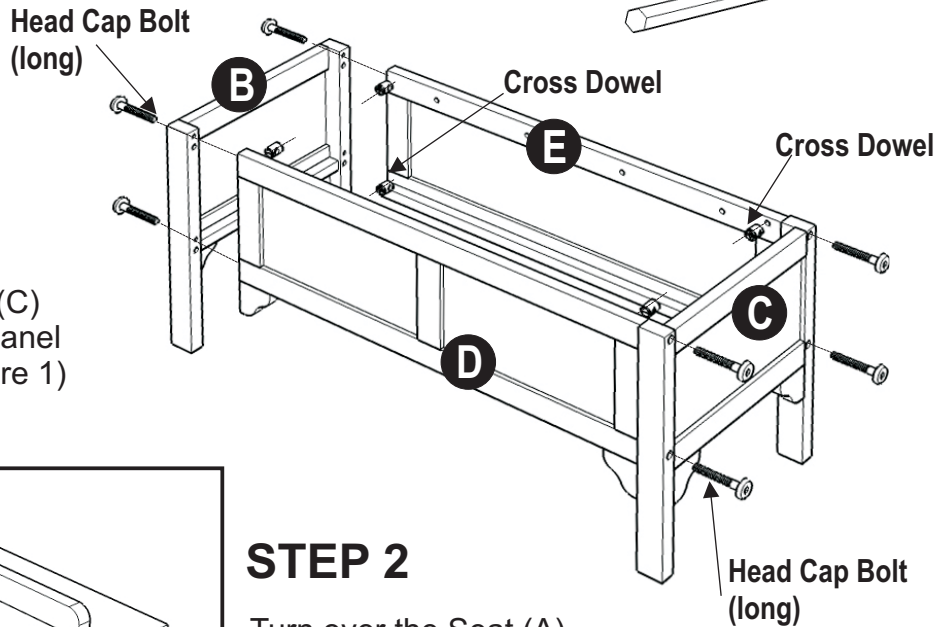


Figure 1

STEP 1

Insert Cross Dowels into the holes of Front Panel (D) and Back Panel (E).

Attach the Side Panel (B) and (C) to the Front Panel and Back Panel with Head Cap Bolts. (See figure 1)



STEP 2

Turn over the Seat (A).

Attach Spring Support to the Seat (A) with Wood Screws. (See figure 2)

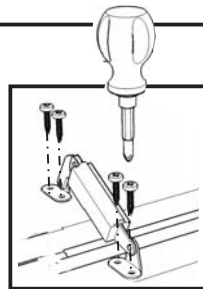
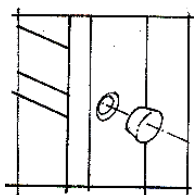
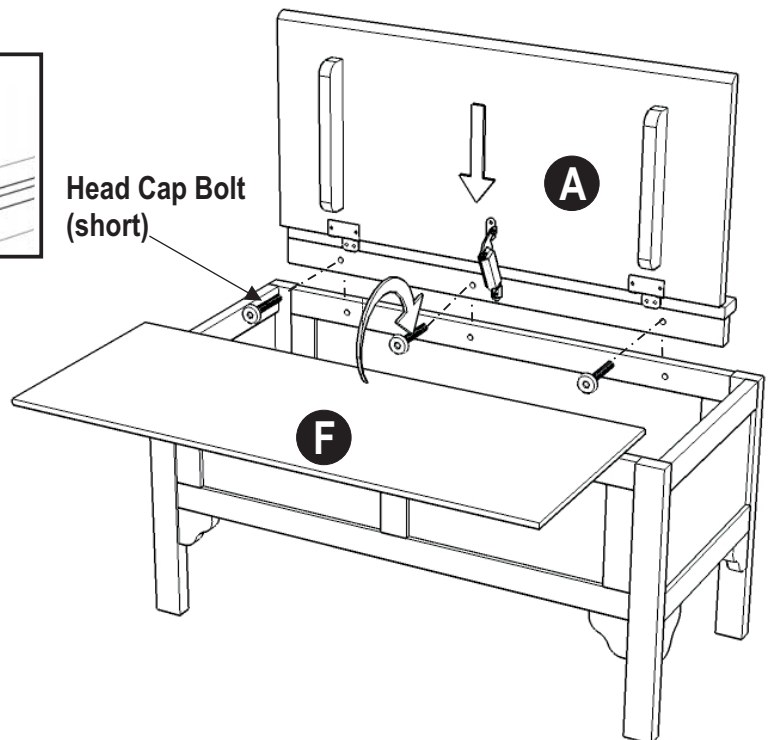


Figure 2

STEP 3

Attach the Seat (A) to the unit with Head Cap Bolts (short).

Place the Base (F) into the storage unit.



STEP 4

Cover all holes with Wood Plugs

88 5650 49 Hall Tree & Storage Bench

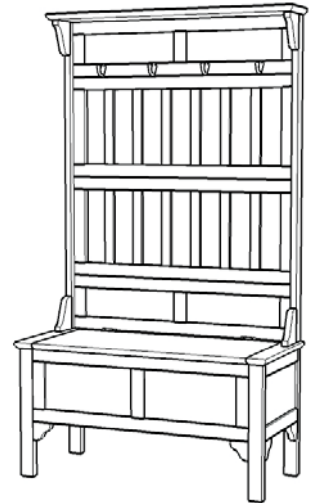
IMPORTANT NOTE

Carefully remove all the parts from the carton and put them individually on a soft cloth to prevent scratches or other damages occurring to the wood parts.

We have taken great care in the design of this product and request that you carefully and strictly follow our assembly instructions to ensure a completed product as it was designed.

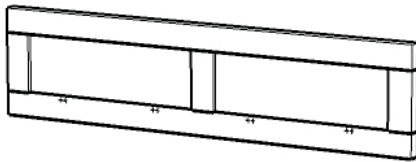


Casual Attire For Today's Home

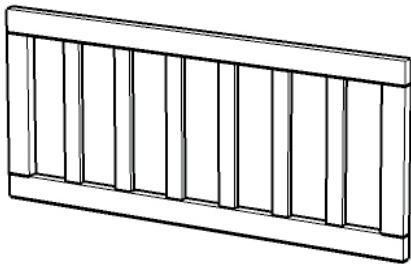


TOP UNIT PART LIST

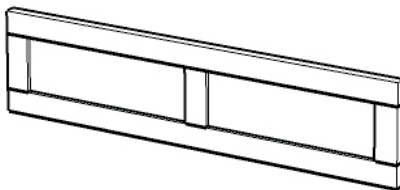
G.
Top
1 pc.



J.
Upper
Back Frame
1 pc.

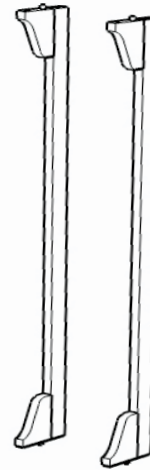


K.
Back Frame
2 pcs.

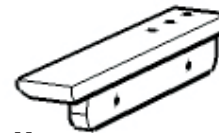


L.
Lower
Back Frame
1 pc.

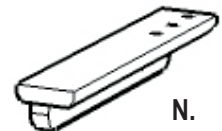
H.
Side Panel
1 pc.



I.
Side Panel
1 pc.



M.
Arm
1 pc.



N.
Arm
1 pc.

HARDWARE LIST



Head Cap Bolt
(short)
20 pcs. (+1 extra)



Hook
4 pcs.



Wood Screw
8 pcs.
(+1 extra)



Wood Plug
8 pcs.
(+1 extra)

Tools Required For Assembly : Phillips screwdriver

Home Styles Consumer Assistance Line 888-680-7460 and 877-831-0319
servicedesk@homestyles-furniture.com

Assembly Instructions 2/3

STEP 1

Attach the Hooks to the Upper Back Frame (J) with Wood Screws.
(See figure 3)

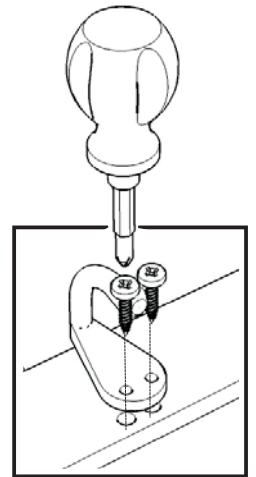
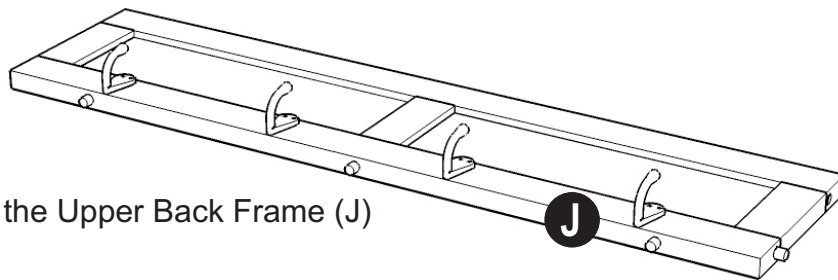
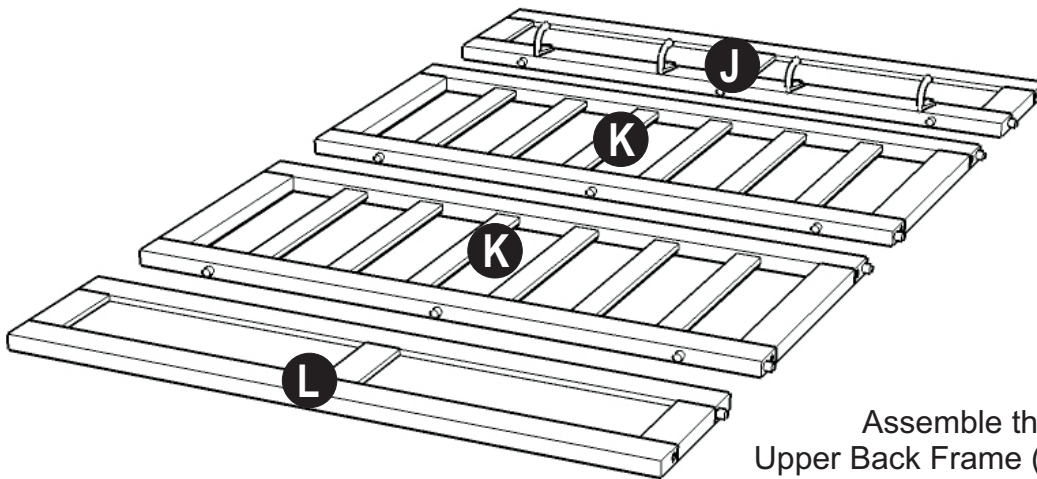
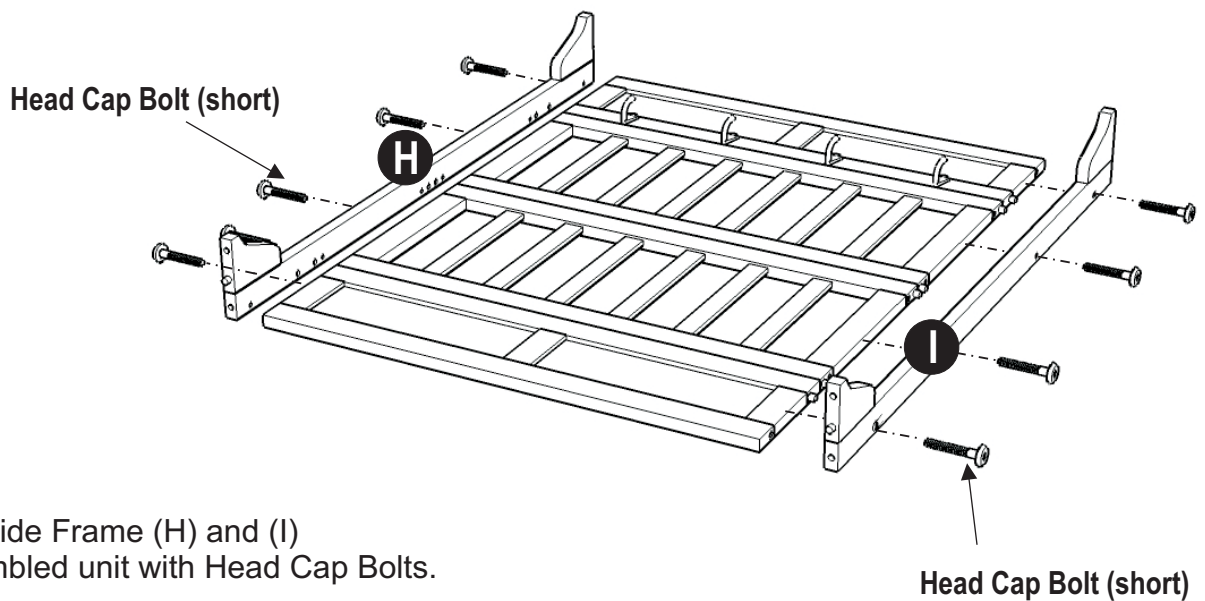


Figure 3



STEP 2

Assemble the Lower Back Frame (L), Upper Back Frame (J) and Back Frame (K).

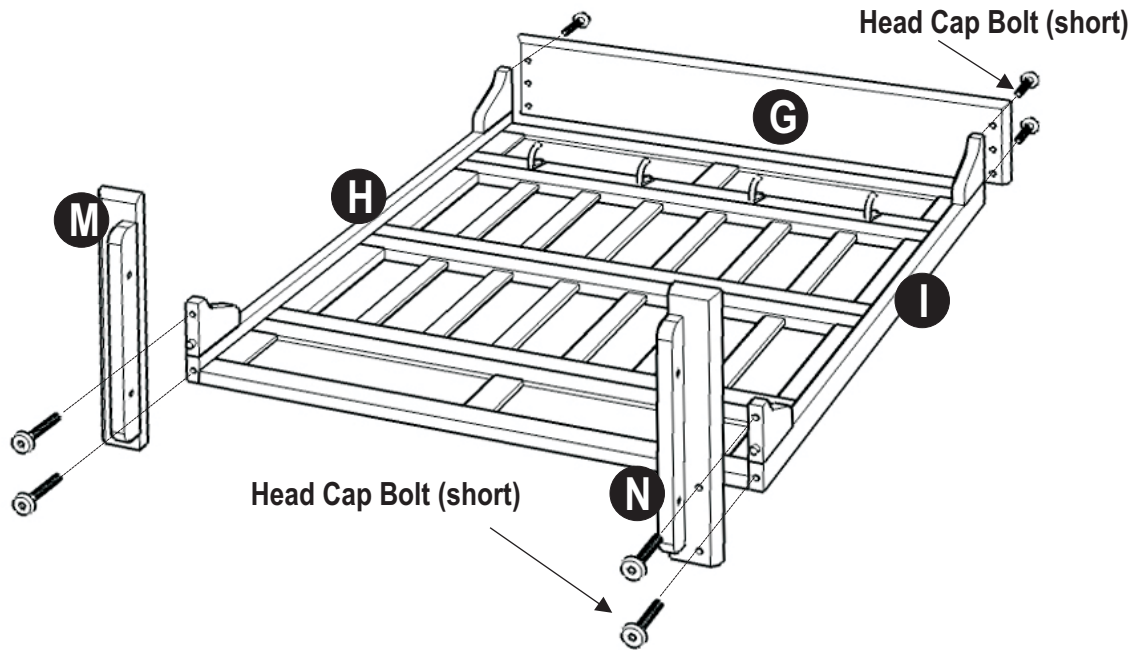


STEP 3

Attach the Side Frame (H) and (I) to the assembled unit with Head Cap Bolts.

Head Cap Bolt (short)

Assembly Instructions 3/3



STEP 4

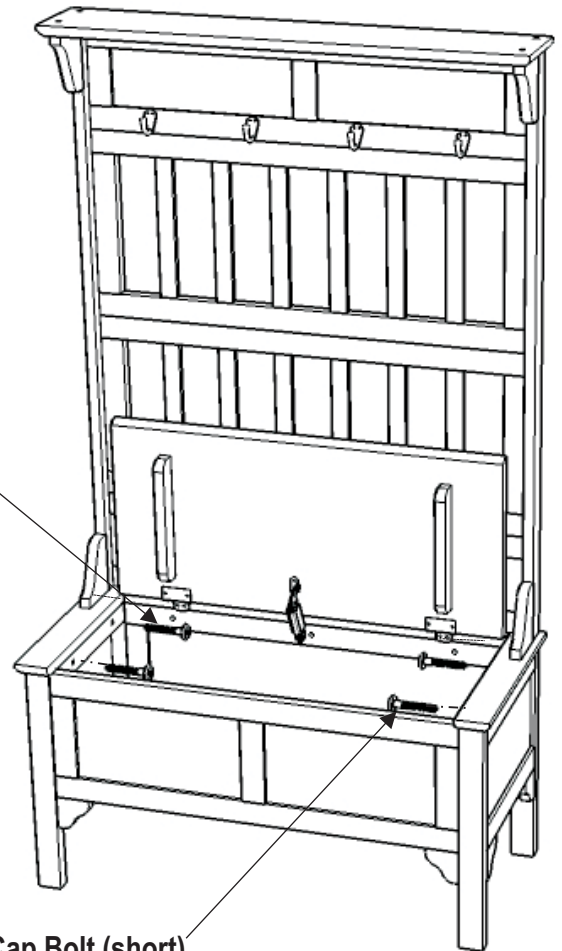
Attach the Top (G) to the Side Panel (H) and (I) with Head Cap Bolts.

Attach the Arm (M) and (N) to the Side Panels with Head Cap Bolts.

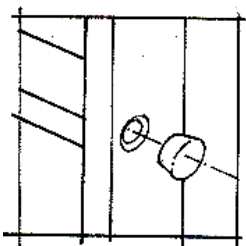
STEP 5

Place the Top Unit onto the Base Unit and attach with Head Cap Bolts.

Head Cap Bolt (short)



Head Cap Bolt (short)



STEP 6

Cover all holes with Wood Plugs