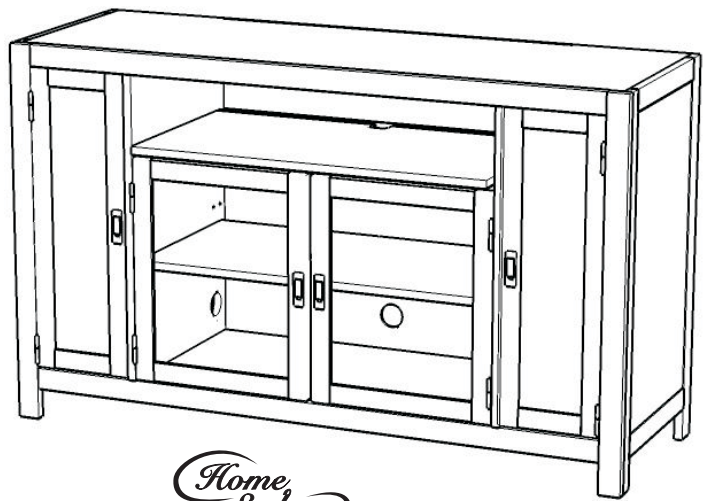


# 88 5536 101 City Chic Entertainment Credenza

## IMPORTANT NOTE

Carefully remove all the parts from the carton and put them individually on a soft cloth to prevent scratches or other damages occurring to the wood parts.

We have taken great care in the design of this product and request that you carefully and strictly follow our assembly instructions to ensure a completed product as it was designed.

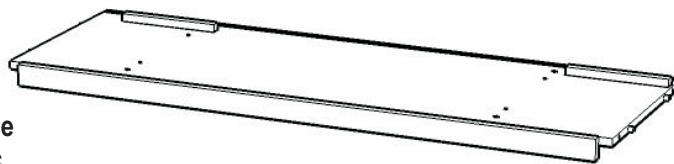


Casual Attire For Today's Home

## Part List



**A.**  
Top  
1 pc.



**I.**  
Base  
1 pc.



**L.**  
Shelf  
1 pc.



**M.**  
Shelf  
1 pc.

## Hardware List



**Hex Wrench**  
1 pc.



**Cam Lock Screw**  
16 pcs.(+1 extra)



**Magnet**  
4 pcs.



**Adjustable Pin**  
20 pcs.(+1 extra)



**Head Cap Bolt**  
6 pcs. (+1 extra)



**Cam Lock**  
16 pcs.(+1 extra)



**Wood Screw  
for Magnet**  
8 pcs.(+1 extra)



**Wood Screw  
for Back Panel**  
12 pcs.(+1 extra)

**For assembly see instructions in carton 88 5536 102**

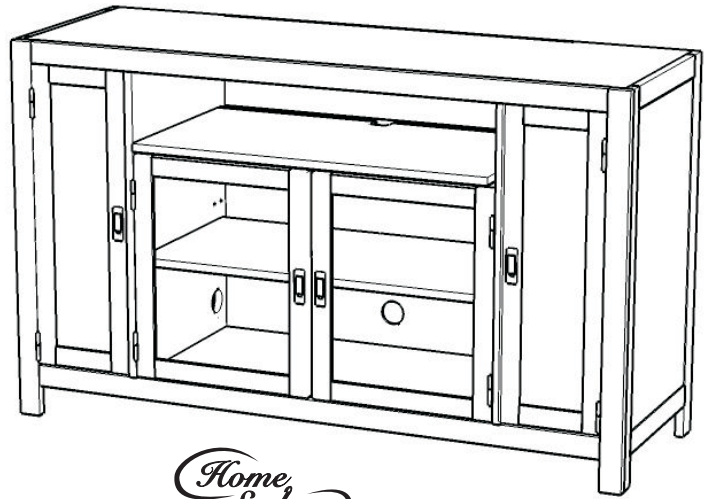
Tools required for assembly : Phillips screwdriver

Home Styles Consumer Assistance Line 888-680-7460 and 877-831-0319  
servicedesk@homestyles-furniture.com

# 88 5536 102

## City Chic

### Entertainment Credenza



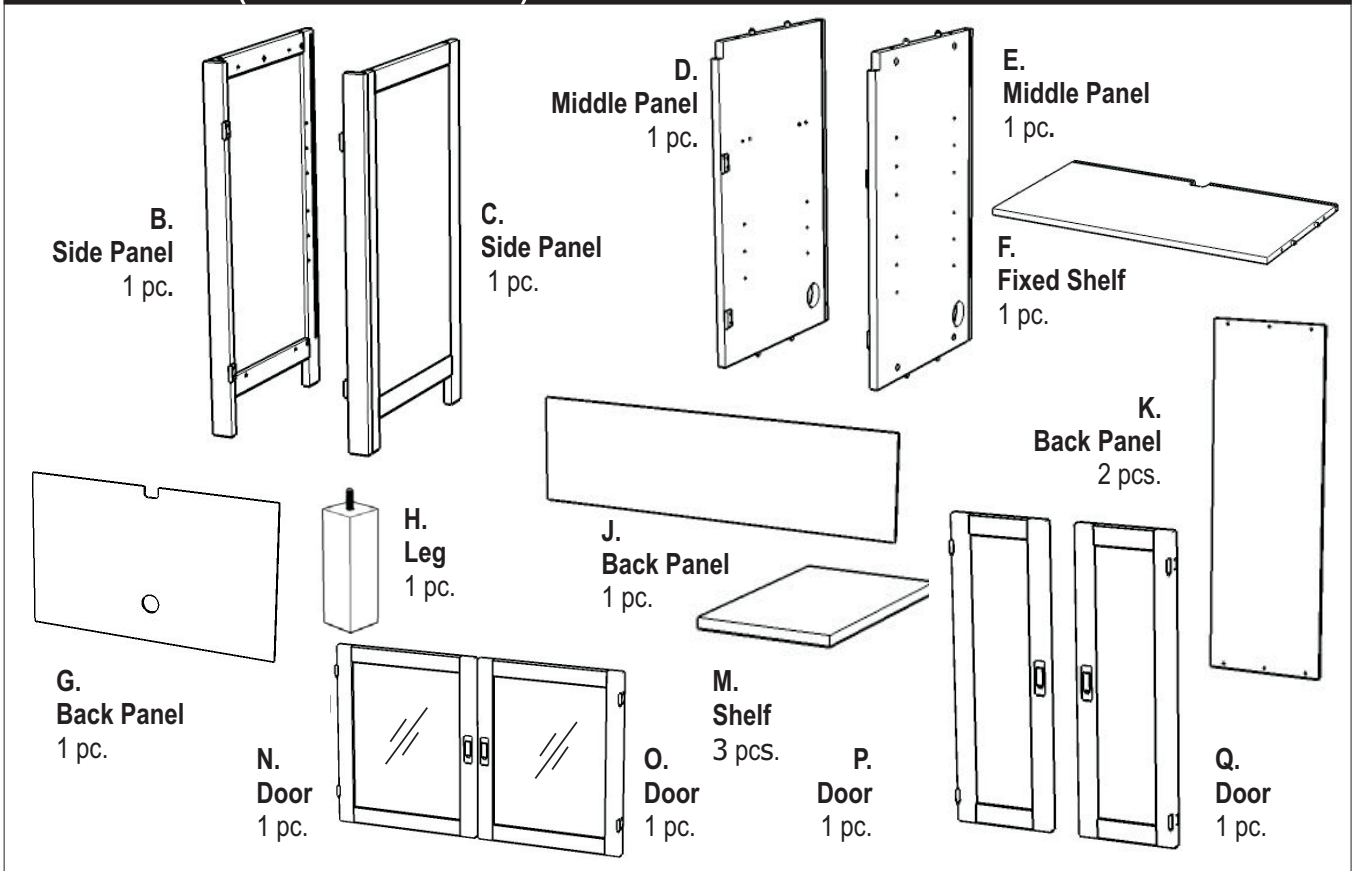
Casual Attire For Today's Home

#### IMPORTANT NOTE

Carefully remove all the parts from the carton and put them individually on a soft cloth to prevent scratches or other damages occurring to the wood parts.

We have taken great care in the design of this product and request that you carefully and strictly follow our assembly instructions to ensure a completed product as it was designed.

### Part List (in this carton)



### Also need the following from carton 88 5536 101 :

#### Part List in carton 88 5536 101

Top (A)	1 pc.
Base (I)	1 pc.
Adjustable Shelf (L)	1 pc.
Adjustable Shelf (M)	1 pc.

#### Hardware List in carton 88 5536 101

Cam Lock Screw	17 pcs.
Cam Lock	17 pcs.
Magnet	4 pcs.
Wood Screw for Magnet	9 pcs.
Wood Screw for Back Panel	13 pcs.
Head Cap Bolt	7 pcs.
Adjustable Pin	21 pcs.

Tools required for assembly : **Phillips** screwdriver

Home Styles Consumer Assistance Line 888-680-7460 and 877-831-0319  
[servicedesk@homestyles-furniture.com](mailto:servicedesk@homestyles-furniture.com)

## IMPORTANT

You should keep Hex Wrench in a safe place as you may need to tighten up the Head Cap Bolts in the future.

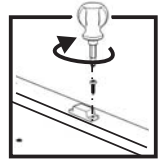
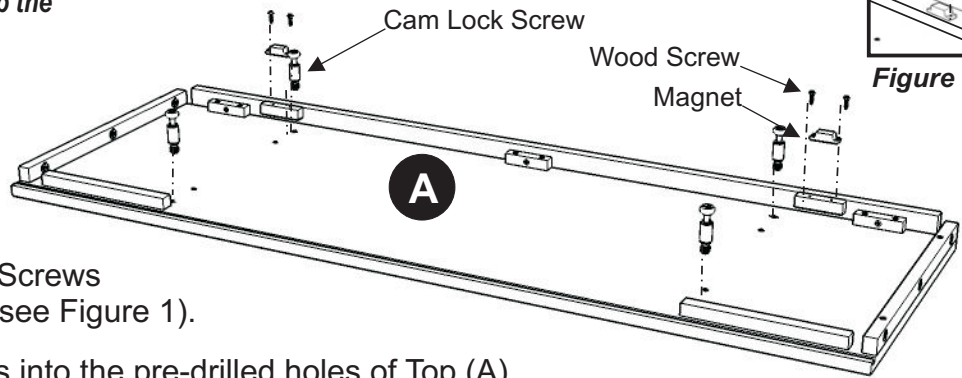


Figure 1

## STEP 1

Attach 2X Magnets to Top (A) by using Wood Screws in the pre-drilled holes (see Figure 1).

Insert Cam Lock Screws into the pre-drilled holes of Top (A).



## STEP 2

Insert Cam Lock Screws into the pre-drilled holes of Side Panel (B) and (C), Middle Panel (D) and (E).

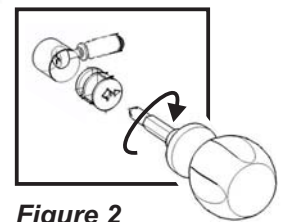
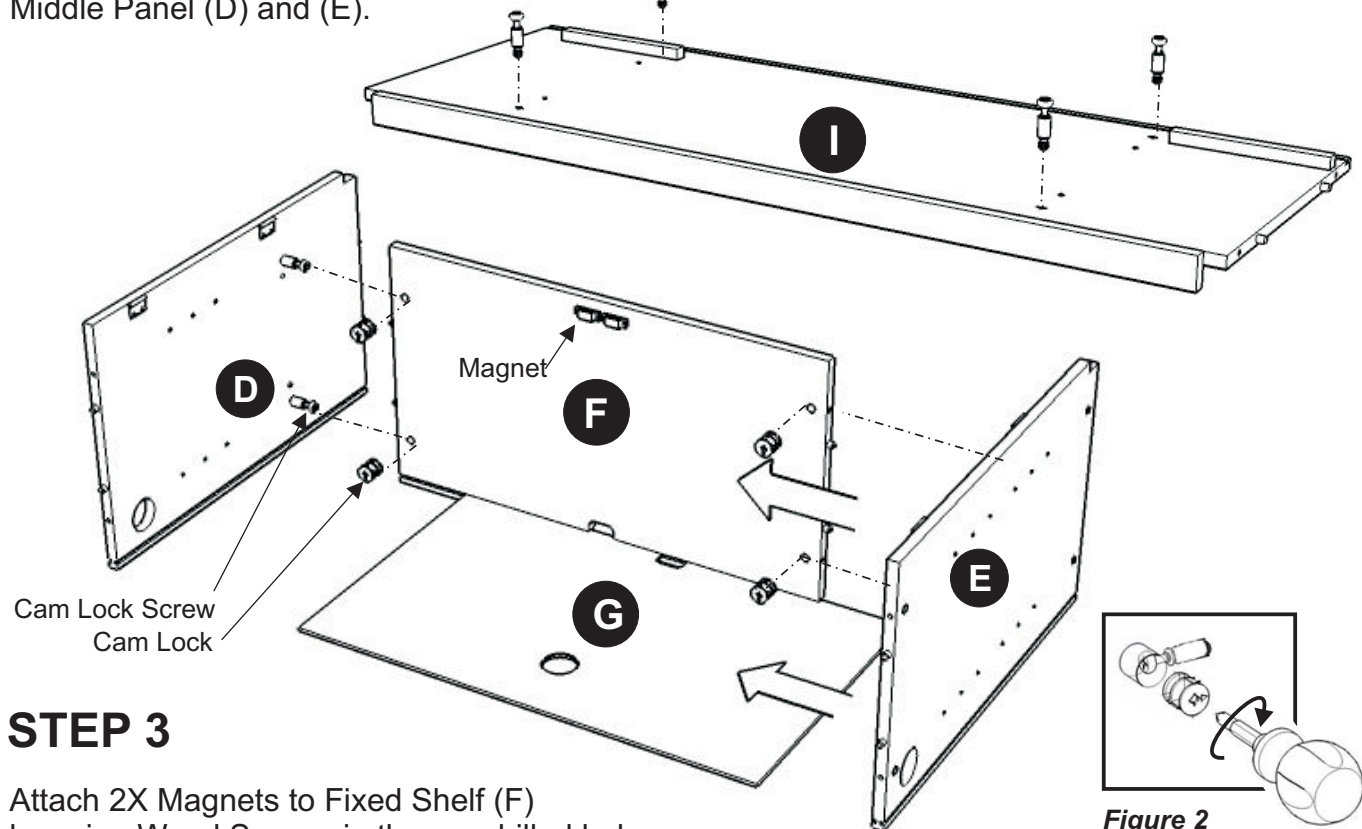
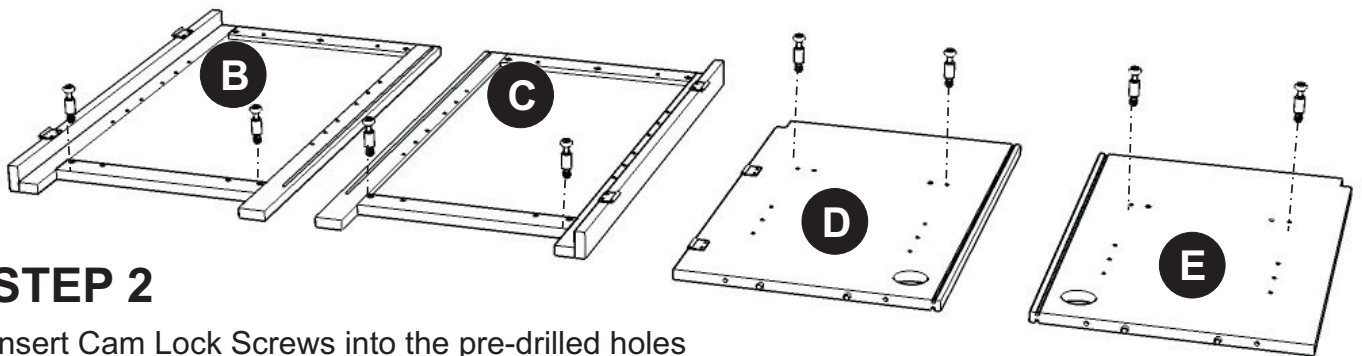


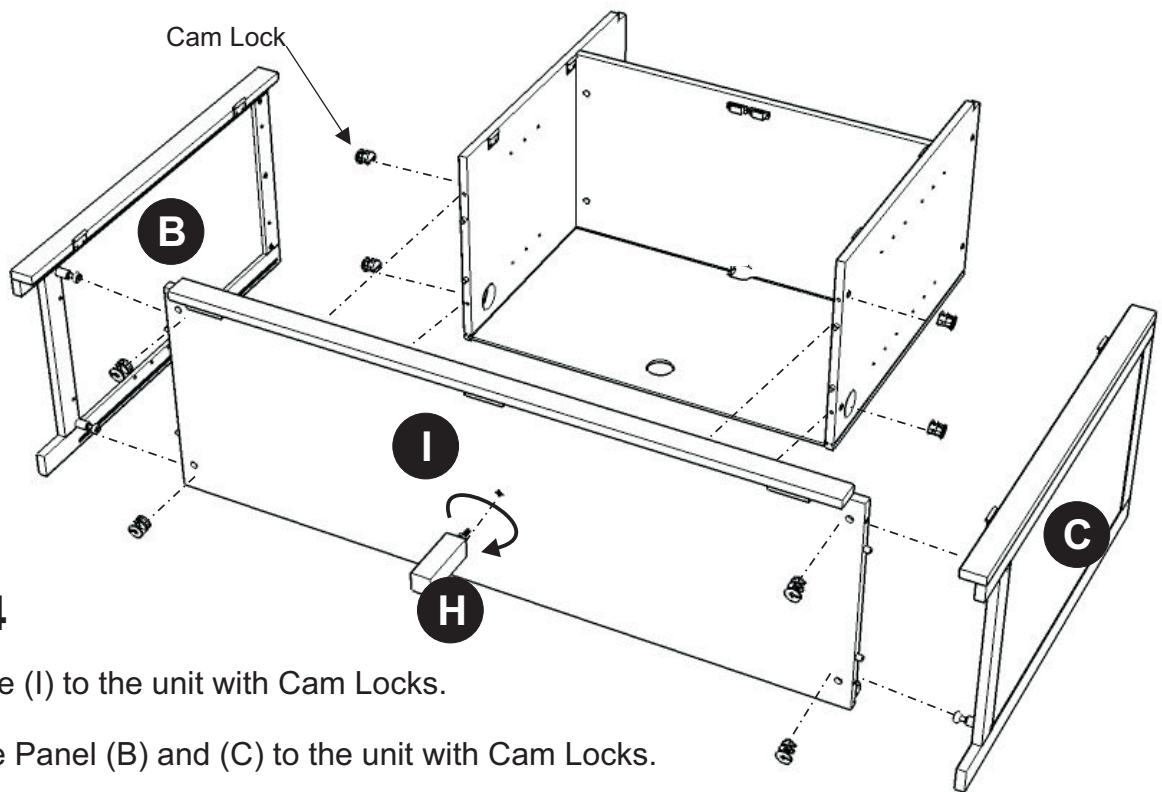
Figure 2

## STEP 3

Attach 2X Magnets to Fixed Shelf (F) by using Wood Screws in the pre-drilled holes.

Attach Fixed Shelf (F) to Middle Panel (D) with Cam Locks (See figure 2), then slide Back Panel (G) into position.

Attach Middle Panel (E) to the unit with Cam Locks.



## STEP 4

Attach Base (I) to the unit with Cam Locks.

Attach Side Panel (B) and (C) to the unit with Cam Locks.

Tighten up Leg (H) in the pre-drilled hole of unit as shown.

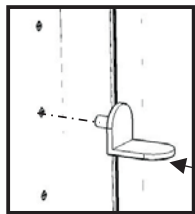
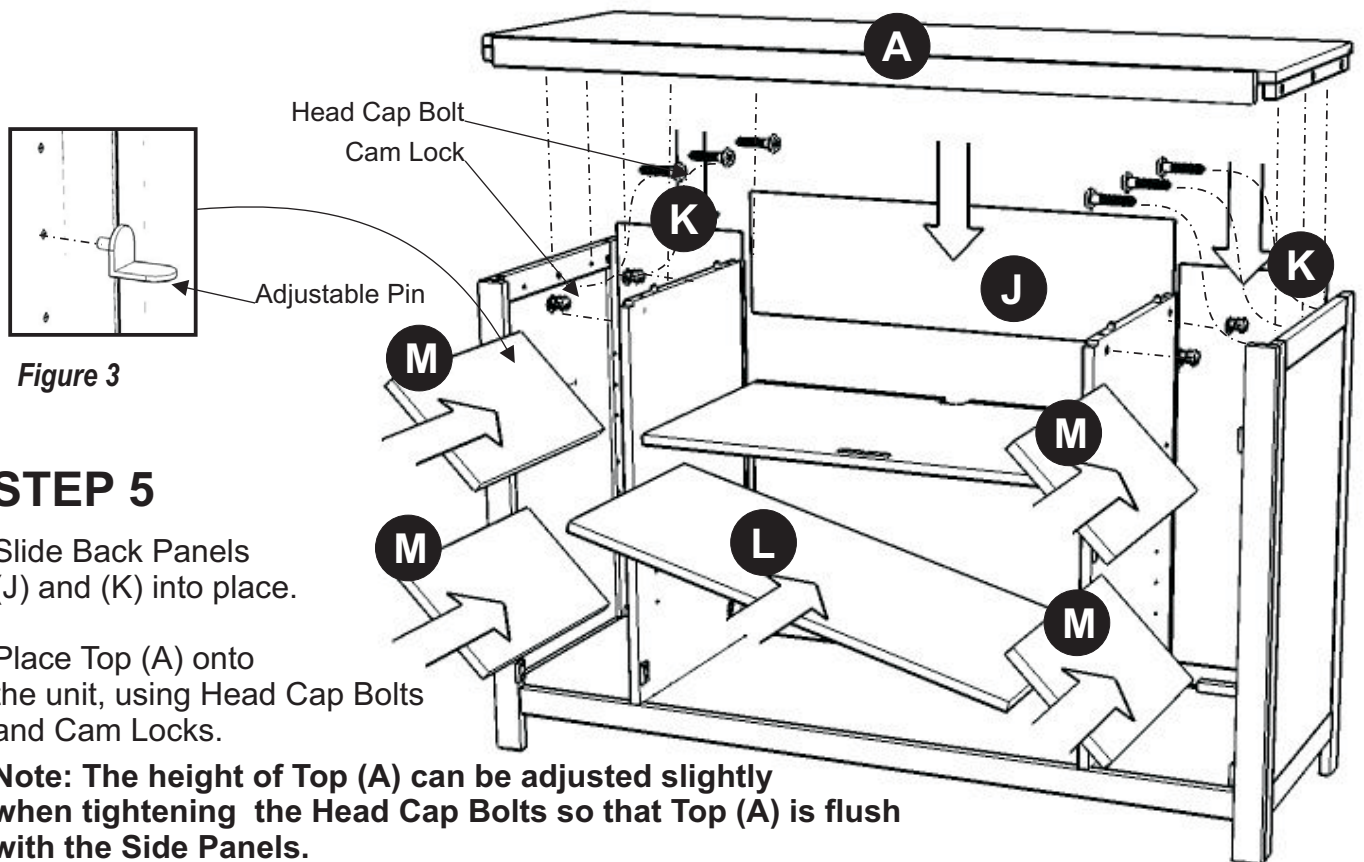


Figure 3

## STEP 5

Slide Back Panels (J) and (K) into place.

Place Top (A) onto the unit, using Head Cap Bolts and Cam Locks.

**Note: The height of Top (A) can be adjusted slightly when tightening the Head Cap Bolts so that Top (A) is flush with the Side Panels.**

Insert Adjustable Pins into side panels and middle panels at the desired level (see Figure 3).

Place Shelves (L) and (M) into position.

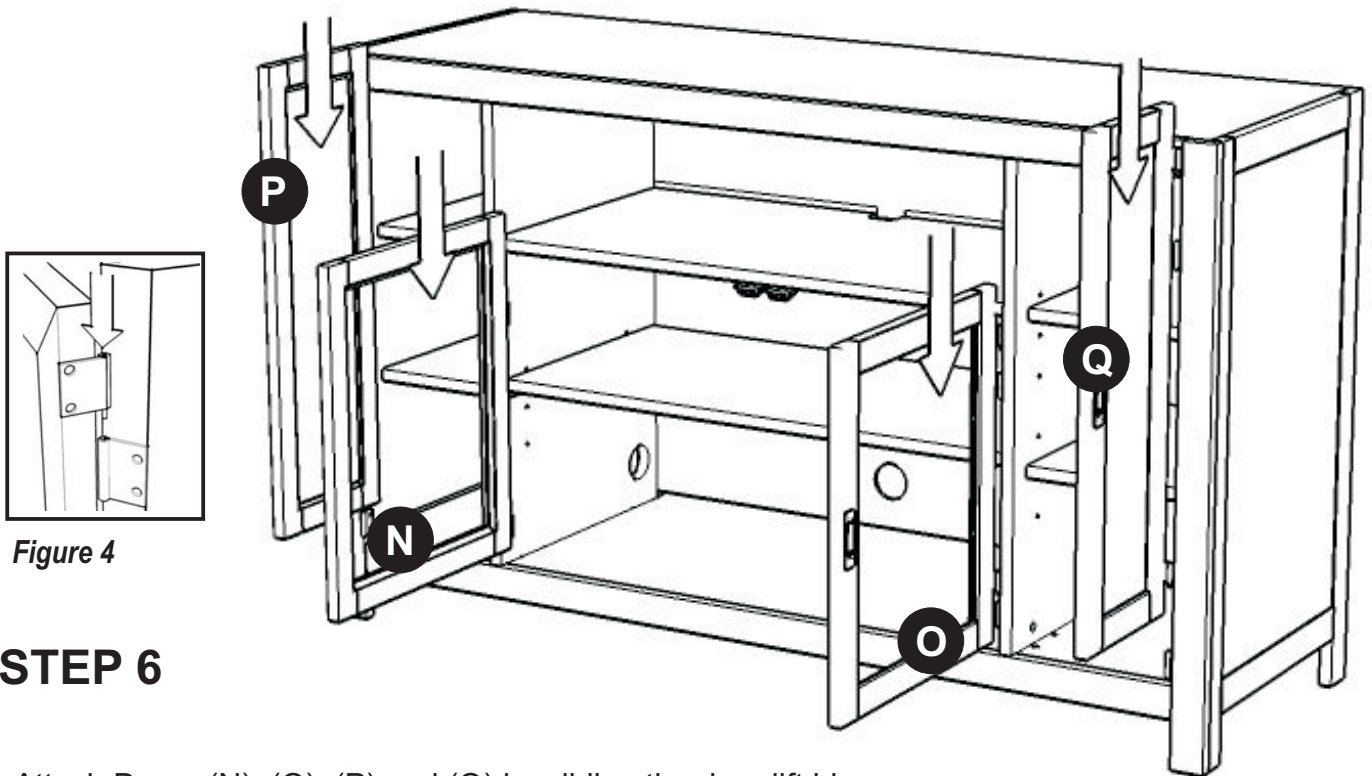


Figure 4

## STEP 6

Attach Doors (N), (O), (P) and (Q) by sliding the door lift hinges into the side panels lift hinges (see Figure 4).

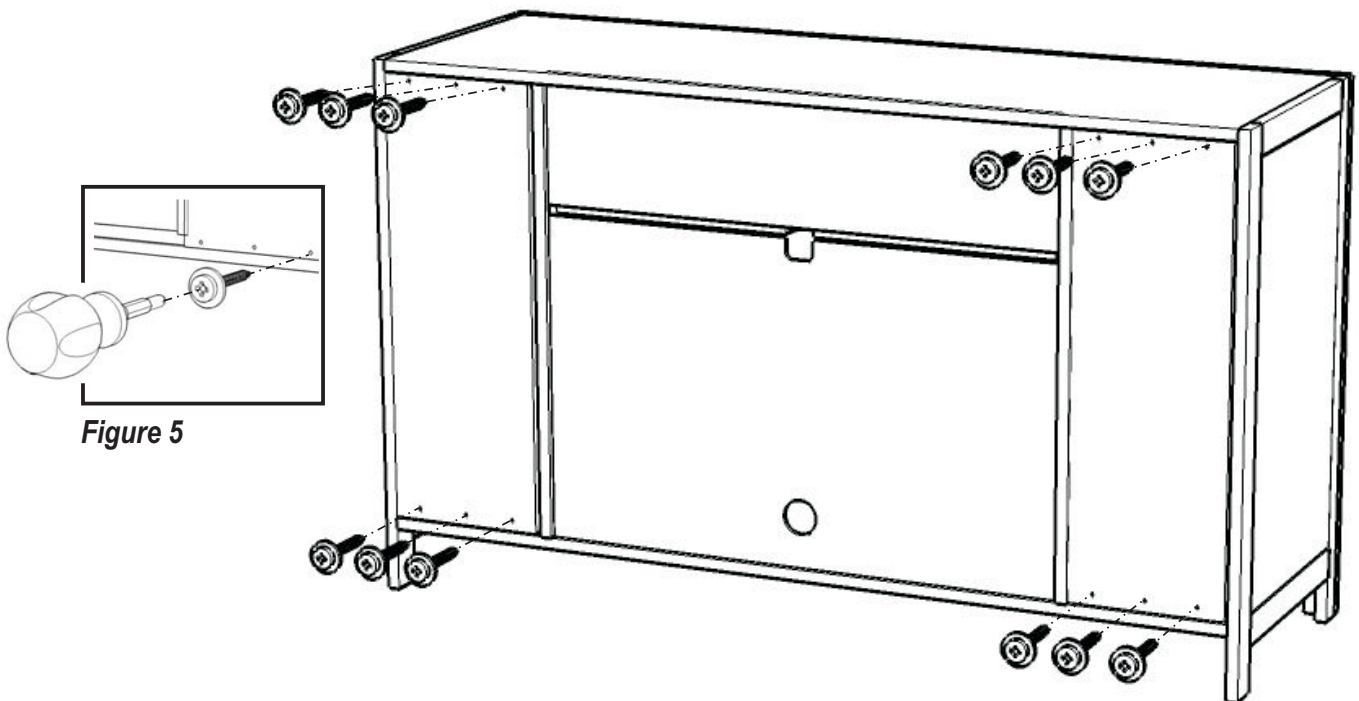


Figure 5

## STEP 7

Insert 12X Wood Screws from the back of the unit, tighten up all the Wood Screws. (See figure 5)

**Note:** Please make sure unit is level before tightening these screws.