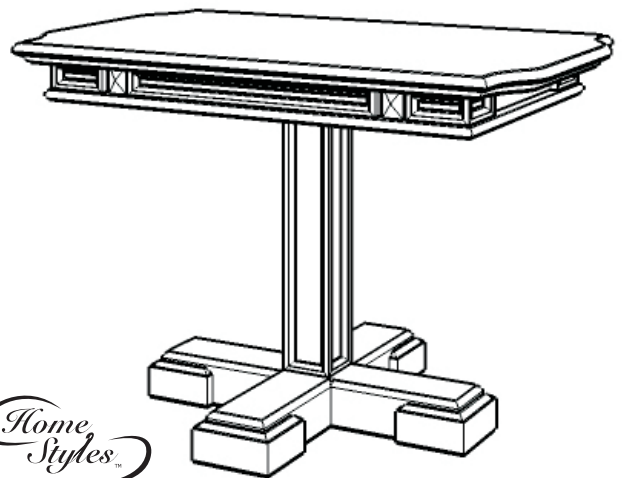


# 88 5004 31 Pedestal Table (Oak Finish)

## IMPORTANT NOTE

Carefully remove all the parts from the carton and put them individually on a soft cloth to prevent scratches or other damages occurring to the wood parts.

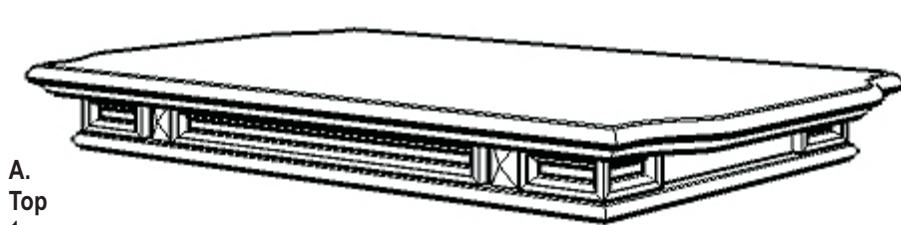
We have taken great care in the design of this product and request that you carefully and strictly follow our assembly instructions to ensure a completed product as it was designed.



*Home  
Styles*

Casual Attire For Today's Home

## PART LIST



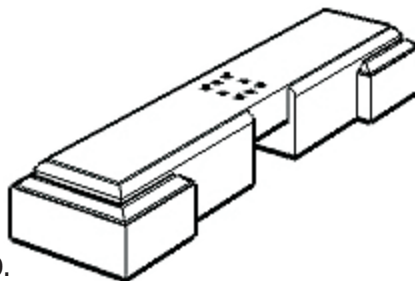
A.  
Top  
1 pc.



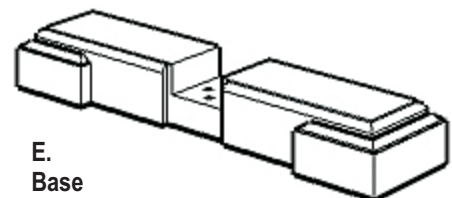
B.  
Post  
1 pc.



C.  
Panel Support  
1 pc.



D.  
Base  
1 pc.



E.  
Base  
1 pc.

## HARDWARE LIST



Hex Wrench  
1 pc.



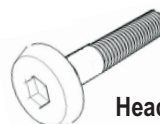
Flat Washer  
4 pcs. (+1 extra)



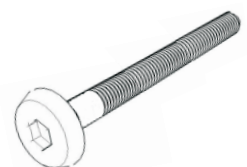
Spring Washer  
4 pcs. (+1 extra)



Small Hex Wrench  
1 pc.



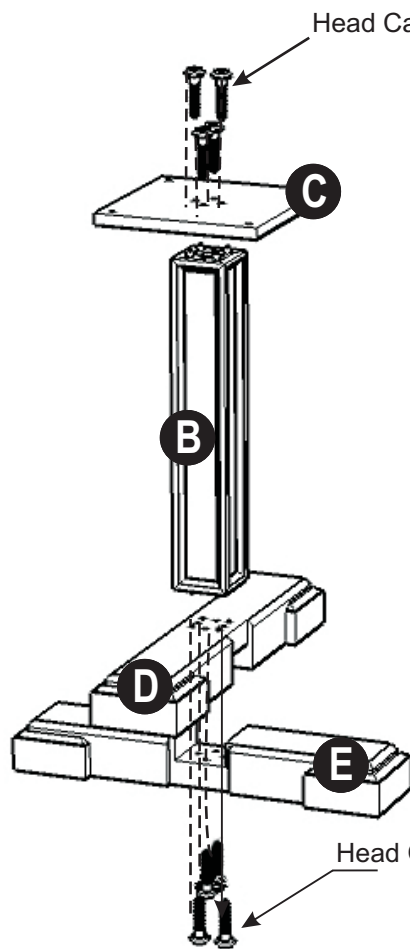
Head Cap Bolt  
(Short)  
8 pcs. (+1 extra)



Head Cap Bolt  
(Long)  
4 pcs. (+1 extra)

## IMPORTANT

You should keep Hex Wrench in a safe place as you may need to tighten the Head Cap Bolts in the future.



## STEP 1

Attach Panel Support (C) to Post (B) with Head Cap Bolts (short). ( see Figure 1 )

Attach Base (E) , (D) to Post (B) with Head Cap Bolts (Long). ( see Figure 2 )

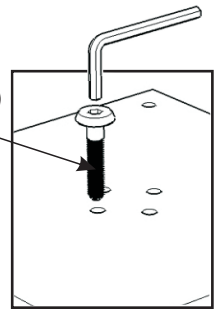


Figure 1

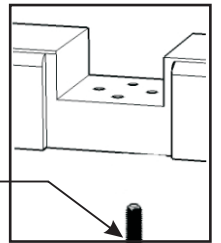


Figure 2

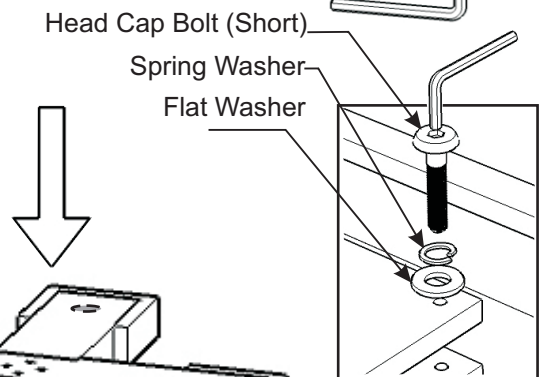


Figure 3

## STEP 2

Place Top (A) face side down on a soft cloth.

Attach the base to Top (A) with Flat Washers, Spring Washers and Head Cap Bolts (Short). (see Figure 3)

