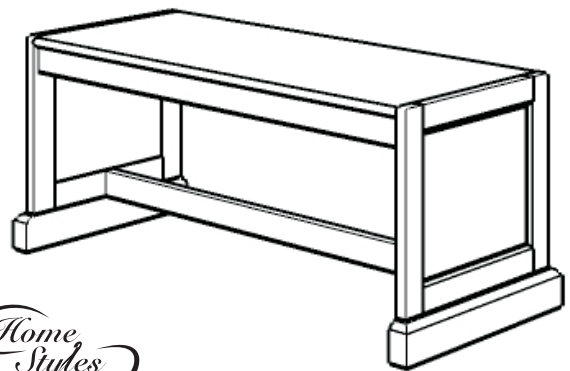


88 5004 86 Dining Bench (Oak Finish)

IMPORTANT NOTE

Carefully remove all the parts from the carton and put them individually on a soft cloth to prevent scratches or other damages occurring to the wood parts.

We have taken great care in the design of this product and request that you carefully and strictly follow our assembly instructions to ensure a completed product as it was designed.



*Home
Styles*

Casual Attire For Today's Home

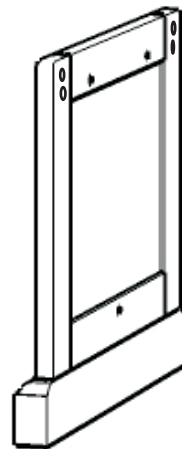
PART LIST



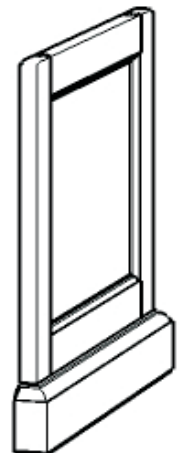
A.
Seat
1 pc.



B.
Stretcher
1 pc.



C.
Side Panel
1 pc.



D.
Side Panel
1 pc.

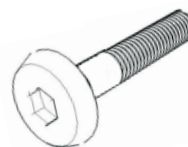
HARDWARE LIST



Hex Wrench
1 pc.



Small Hex Wrench
1 pc.



Head Cap Bolt
4 pcs. (+1 extra)



Wood Screw
2pcs. (+1 extra)

Tools Required For Assembly : **Phillips** screwdriver

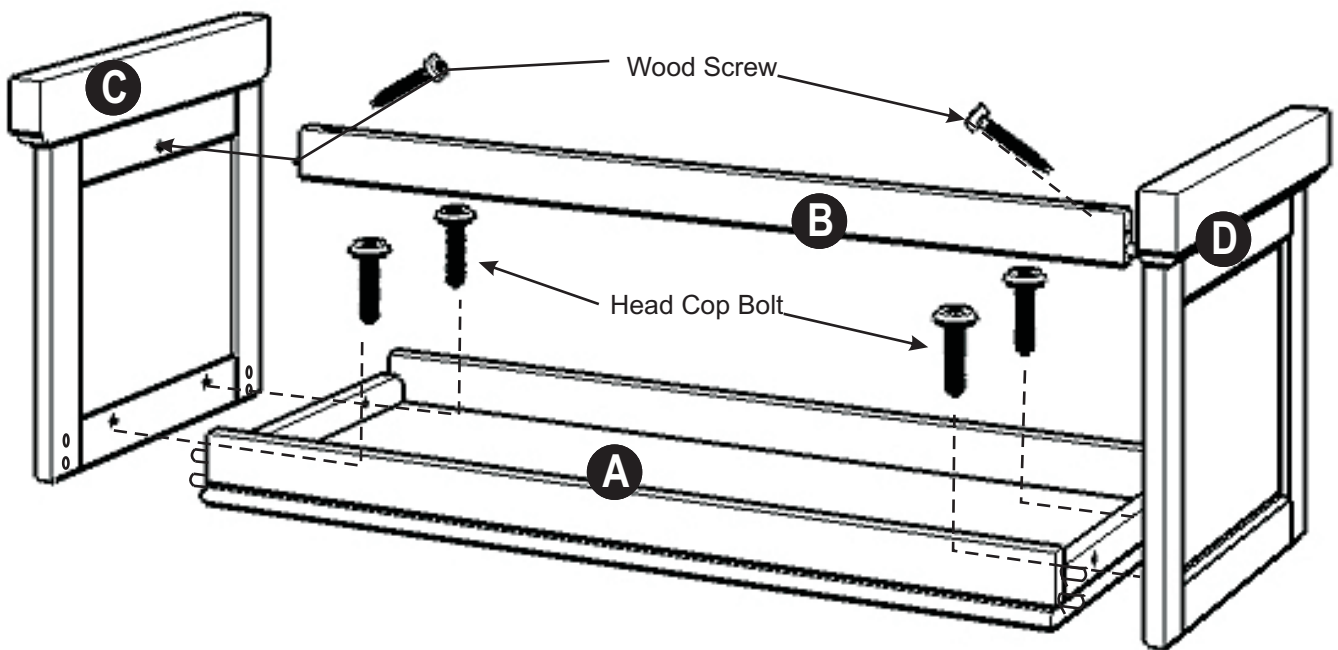
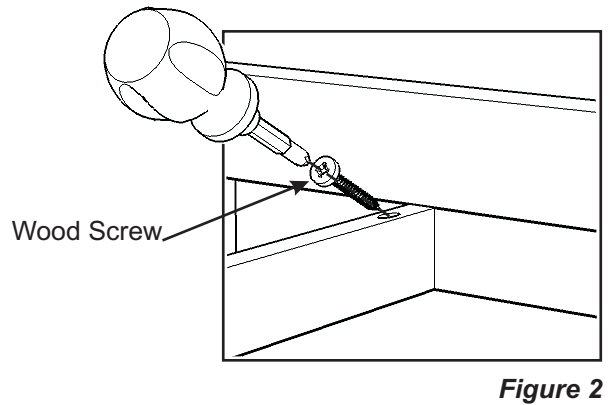
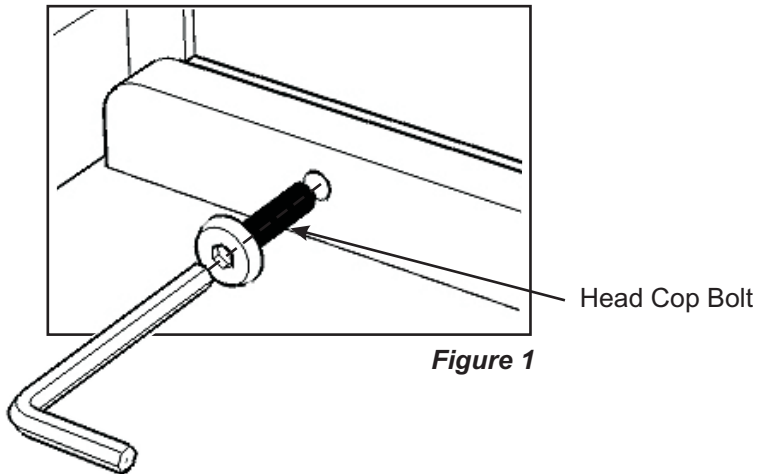
Home Styles Consumer Assistance Line 888-680-7460 and 877-831-0319
servicedesk@homestyles-furniture.com

Assembly Instructions 2/2

IMPORTANT

Do not tighten up all the screws until each part is properly assembled.

You should keep Hex Wrench in a safe place as you may need to tighten the Head Cap Bolts in the future.



Place Seat (A) face side down on a soft cloth.

Attach Side (C) to Seat (A) with Head Cap Bolts and attach Stretcher (B) to Side Panel (C) with Wood Screw. (see Figure 1) , (see Figure 2)

Attach Side Panel (D) to the unit with Head Cap Bolts and Wood Screw. (see Figure 1) , (see Figure 2)