

# 88 5004 800

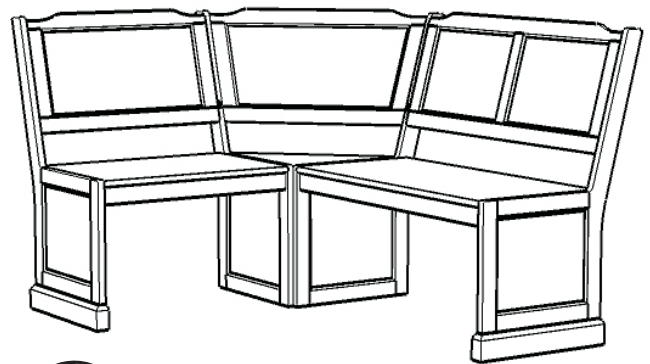
## Reversible Corner Bench

(Oak Finish)

### IMPORTANT NOTE

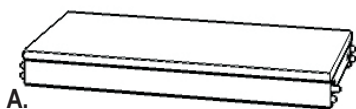
Carefully remove all the parts from the carton and put them individually on a soft cloth to prevent scratches or other damages occurring to the wood parts.

We have taken great care in the design of this product and request that you carefully and strictly follow our assembly instructions to ensure a completed product as it was designed.

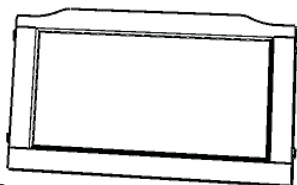


Casual Attire For Today's Home

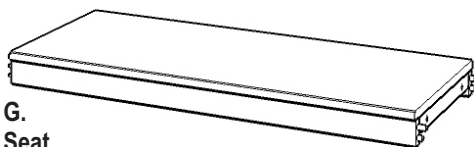
## PART LIST



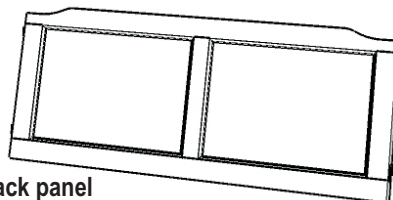
A.  
Seat  
1 pc.



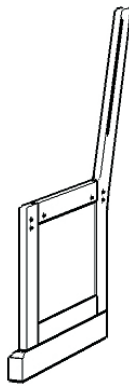
B.  
Back Panel  
1 pc.



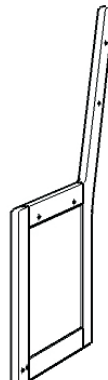
G.  
Seat  
1 pc.



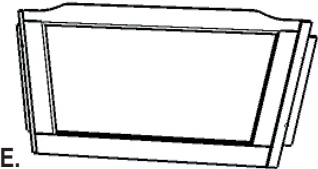
H.  
Back panel  
1 pc.



C.  
Side Panel  
1 pc.



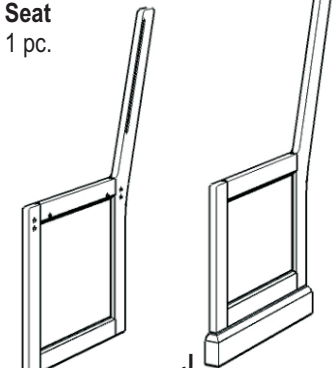
D.  
Side Panel  
1 pc.



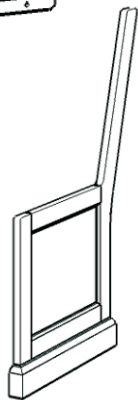
E.  
Back Panel  
1 pc.



F.  
Seat  
1 pc.



I.  
Side Panel  
1 pc.

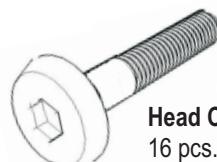


J.  
Side Panel  
1 pc.

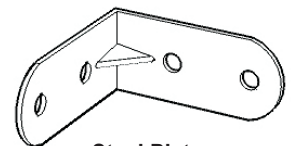
## HARDWARE LIST



Hex Wrench  
1 pc.



Head Cap Bolt  
16 pcs. (+1 extra)



Steel Plate  
Connector  
1 pcs.



Small Hex Wrench  
1 pc.



Wood Screw  
4 pcs. (+1 extra)

Tools Required For Assembly : **Phillips** screwdriver

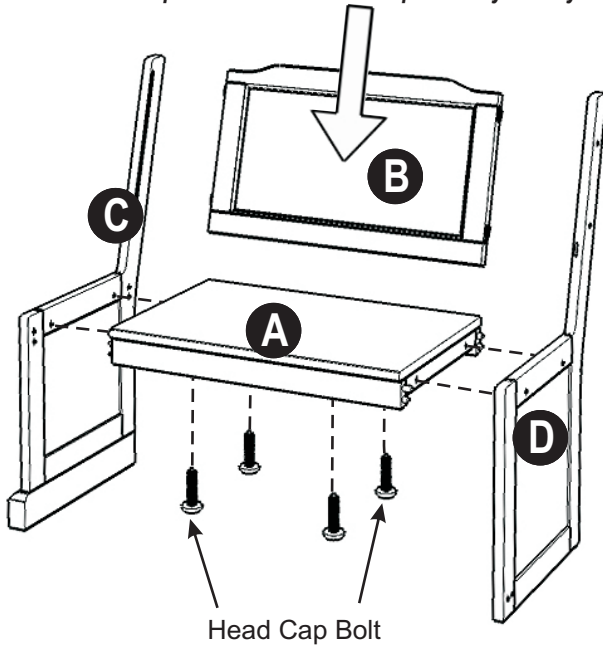
Home Styles Consumer Assistance Line 888-680-7460 and 877-831-0319  
[servicedesk@homestyles-furniture.com](mailto:servicedesk@homestyles-furniture.com)

# Assembly Instructions 2/2

## IMPORTANT

Do not tighten up all the screws until each part is properly assembled.

You should keep Hex Wrench in a safe place as you may need to tighten the Head Cap Bolts in the future.



## STEP 1

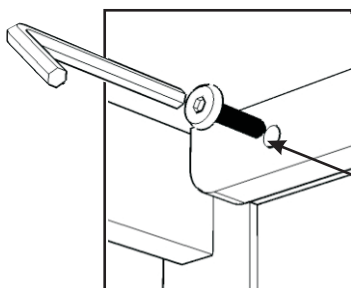
Attach Side Panel (C) , (D) to Seat (A) with Head Cap Bolts. (see Figure 1)

Slide Back Panel (B) to the unit.

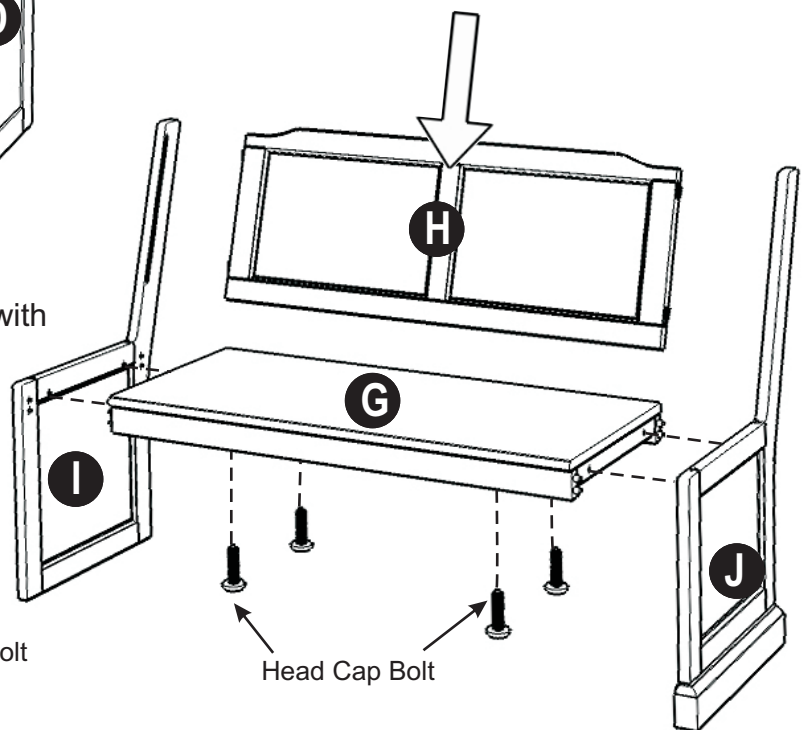
## STEP 2

Attach Side Panel (I) , (J) to Seat (G) with Head Cap Bolts. (see Figure 1)

Slide Back Panel (H) to the unit.

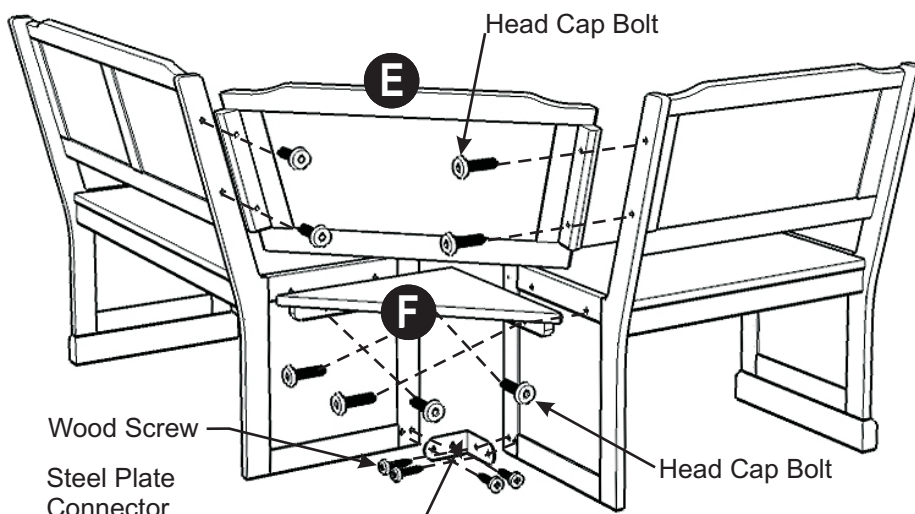


Head Cap Bolt



Head Cap Bolt

Figure 1



Head Cap Bolt

Wood Screw

Steel Plate Connector

Head Cap Bolt

## STEP 3

Attach Seat (F) , Back Panel (E) to the unit with Head Cop Bolts.

Attach Steel Plate Connector to the unit with Wood Screws.