

# 88 5541 09

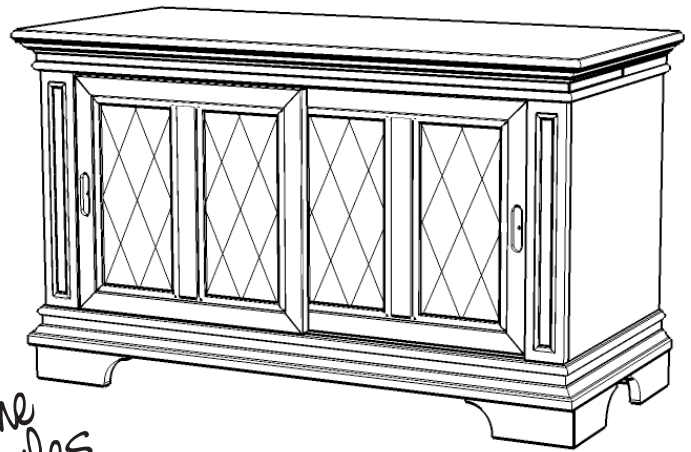
## Windsor Entertainment Console

### IMPORTANT NOTE

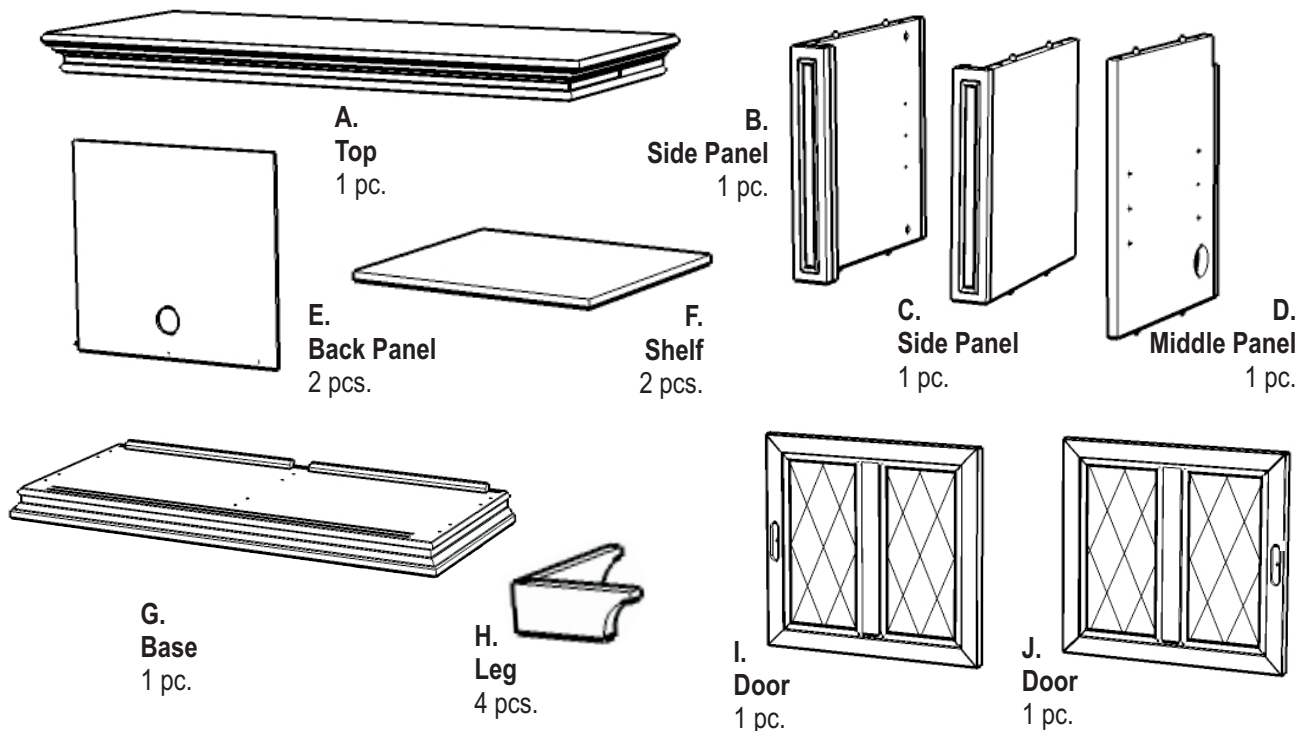
Carefully remove all the parts from the carton and put them individually on a soft cloth to prevent scratches or other damages occurring to the wood parts.

We have taken great care in the design of this product and request that you carefully and strictly follow our assembly instructions to ensure a completed product as it was designed.

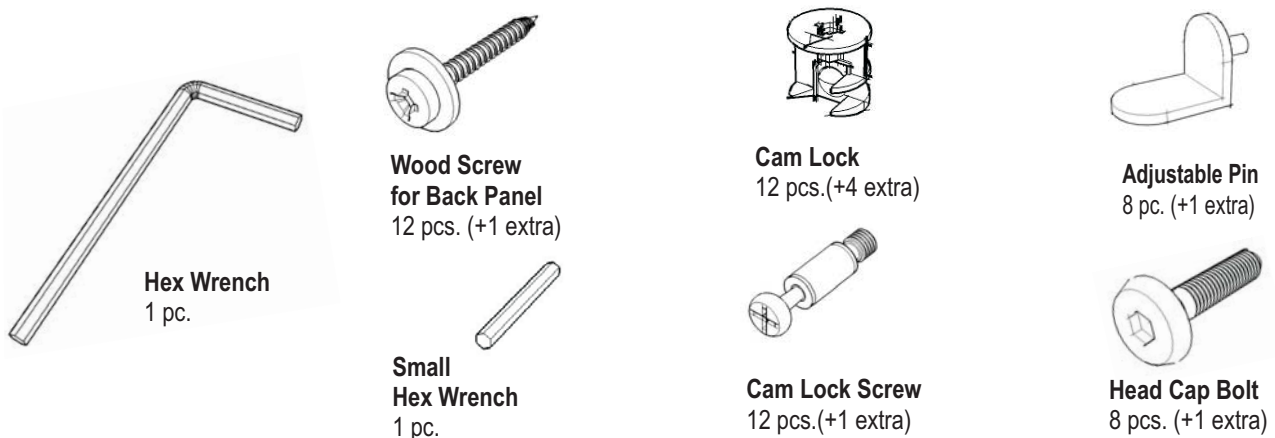
Home  
Styles



## Part List



## Hardware List



Tools required for assembly : **Phillips** screwdriver

Tools recommended for assembly : Level

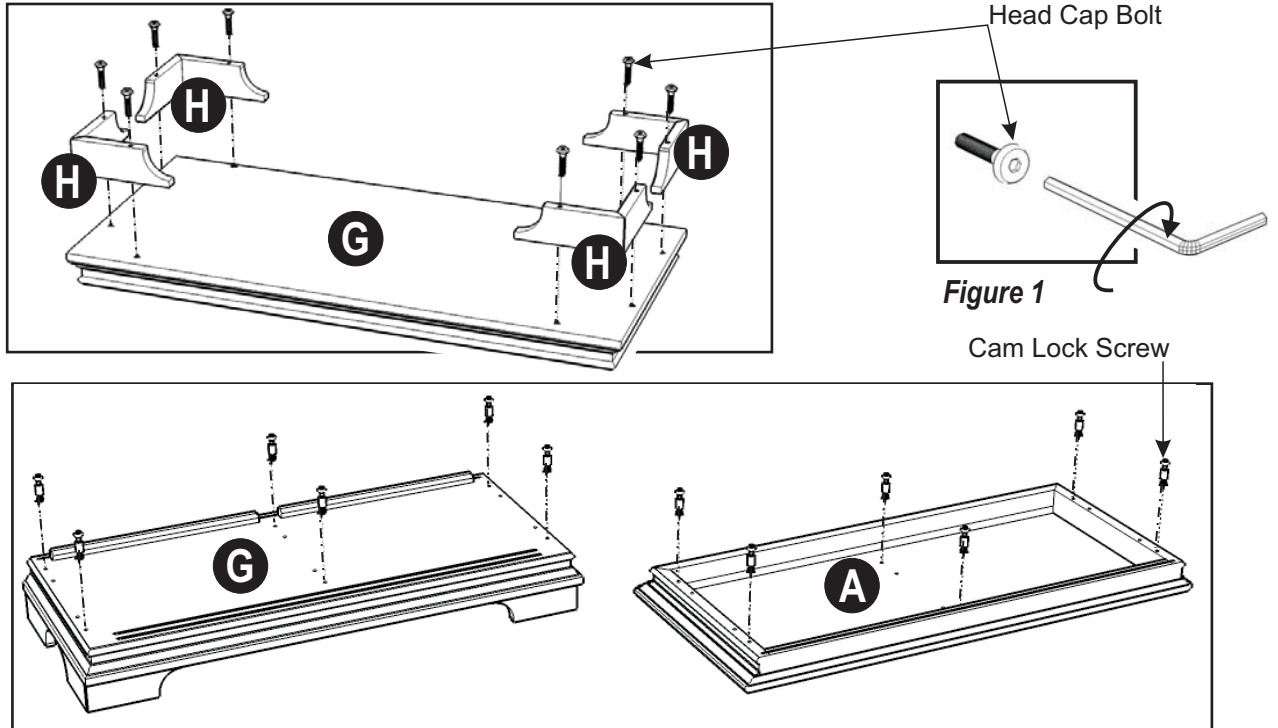
Home Styles Consumer Assistance Line 888-680-7460 and 877-831-0319

[servicedesk@homestyles-furniture.com](mailto:servicedesk@homestyles-furniture.com)

# Assembly Instructions 2/4

## IMPORTANT

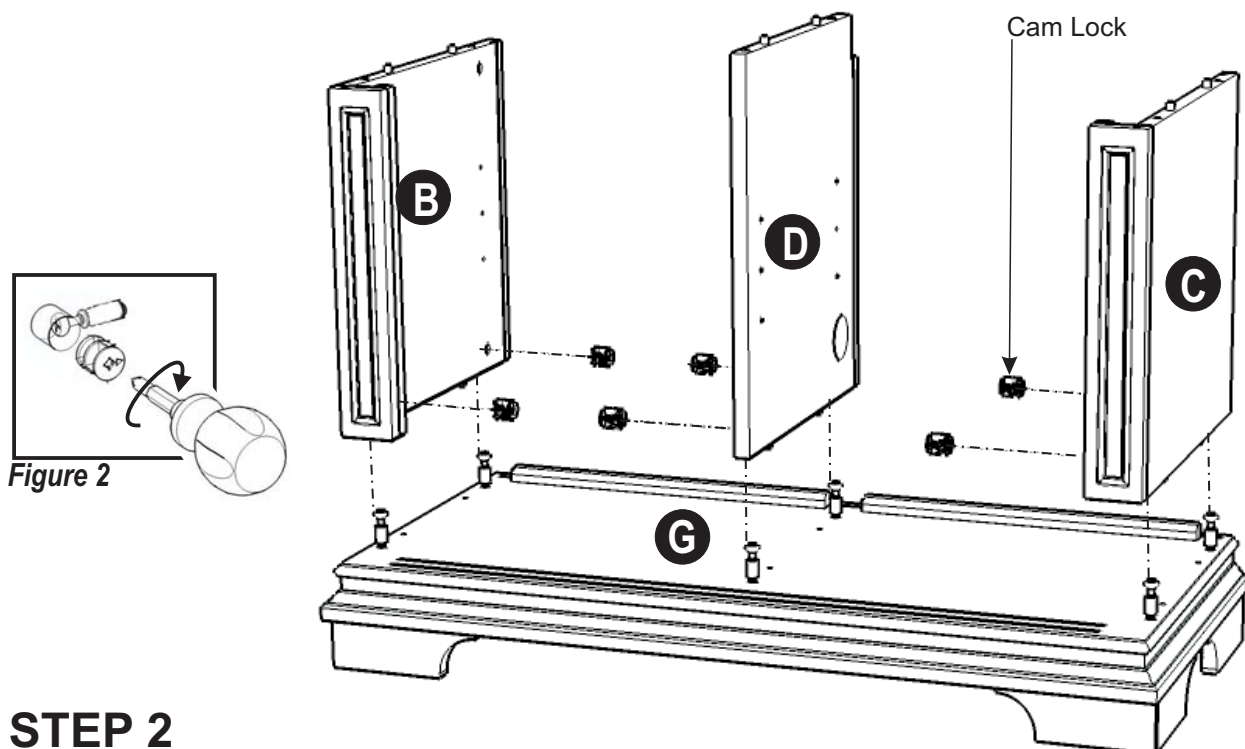
- \* Do not tighten up all the screws until each part is properly assembled.
- \* You should keep Hex Wrench in a safe place as you may need to tighten up the Head Cap Bolts in the future.
- \* After assembly, item must be level to work properly. Use the included adjustable levelers to level.



## STEP 1

Attach Legs (H) to Base (G) with Head Cap Bolts. (see Figure 1)

Put Cam Lock Screws into the pre-drilled holes of Top (A), Base (G) and tighten.



## STEP 2

Attach Side Panels (B), (C) and Middle Panel (D) to Base (G) with Cam Locks. (see Figure 2)

# Assembly Instructions 3/4

## STEP 3

Slide Back Panels (E) into place.

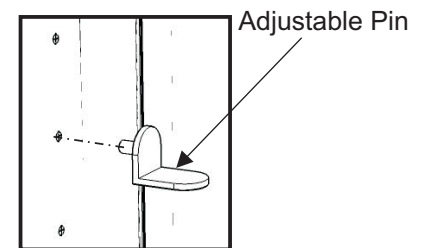
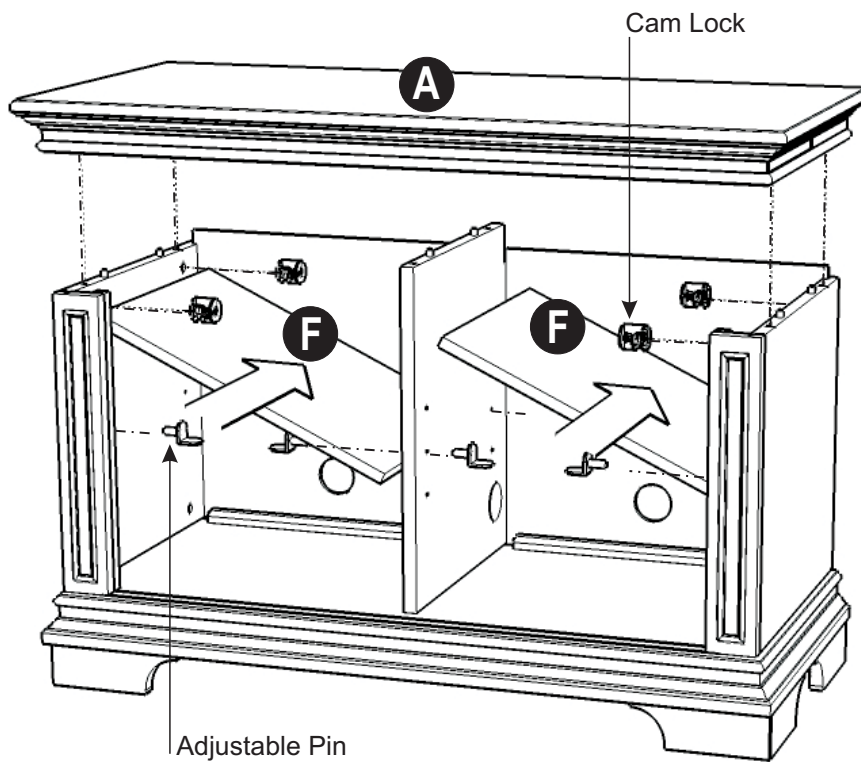
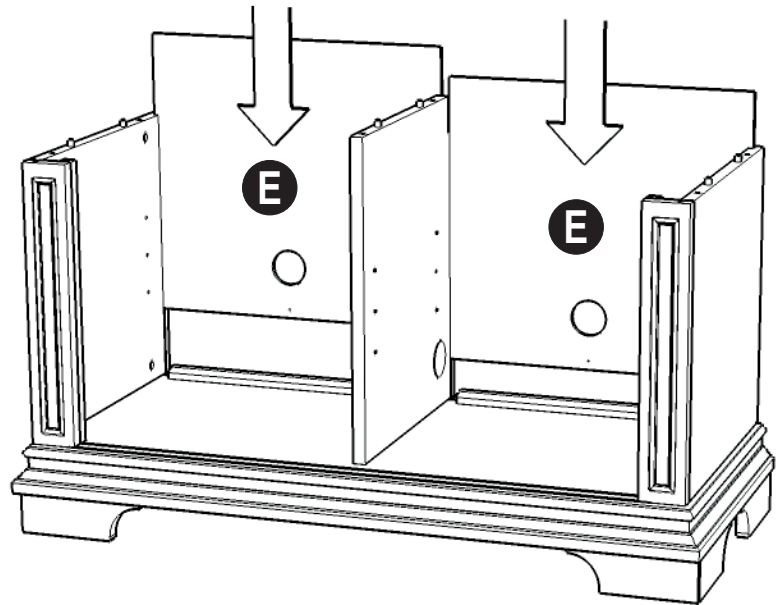


Figure 3

## STEP 4

Insert Adjustable Pins into the side panels and middle panel at the desired level. (see Figure 3)

Place Shelves (F) into position.

Place Top (A) onto unit with Cam Locks.

# Assembly Instructions 4/4

## STEP 5

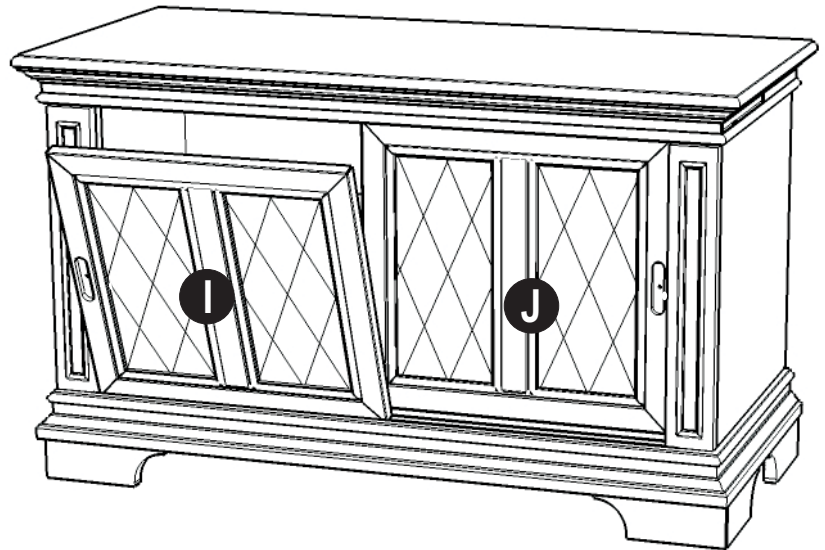
Before installing the doors, make sure the door Guides are in the unlocked position. (See figure 4)

Place the bottom rollers of Door (J) in the bottom inner groove.

Align top of the door with the upper inner groove and push up the lock tabs of the Guides. (See figure 5)

Place the bottom rollers of Door (I) in the bottom outer groove.

Align top of the door with the upper outer groove and push up the lock tabs of the Guides. (See figure 5)



**Guide**  
unlocked position

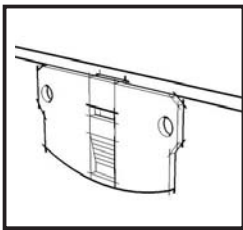


Figure 4

**Guide**  
locked position

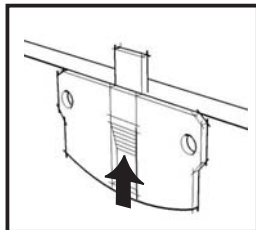
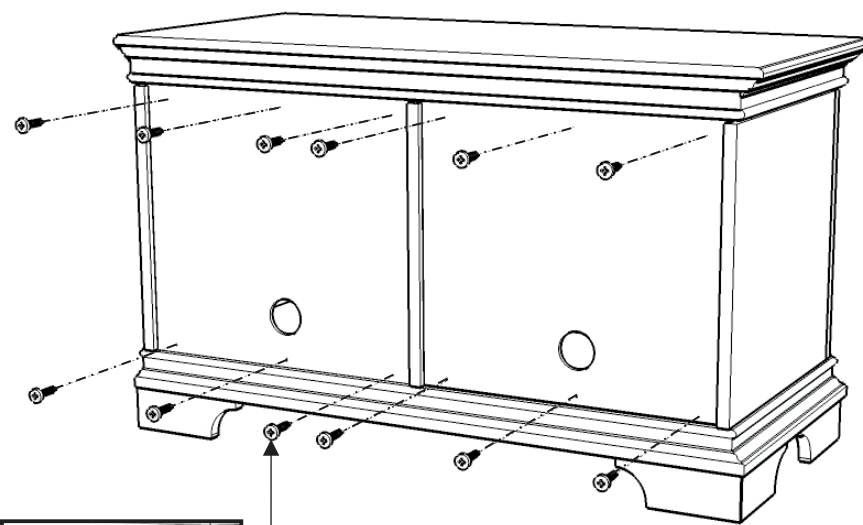
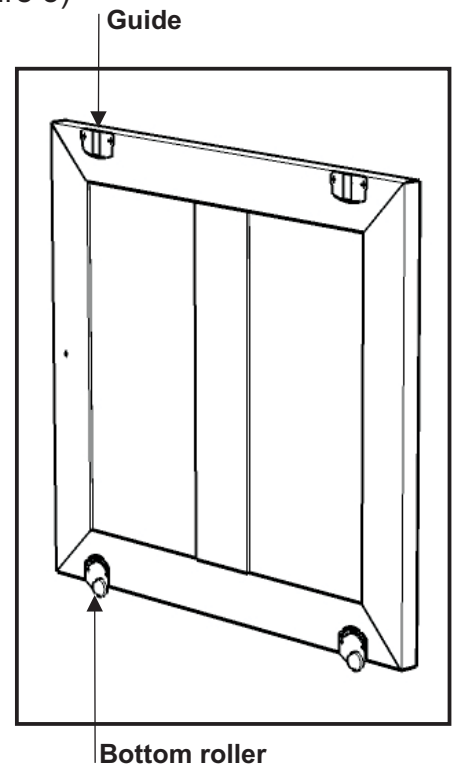


Figure 5



Wood Screw

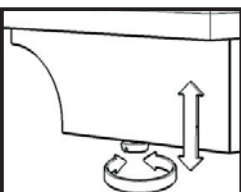


Figure 6

## STEP 6

To level the unit, adjust the adjustable levelers on the bottom of legs. (See figure 6)

Insert 12X Wood Screws from the back of the unit, tighten up all the Wood Screws.

**Note: Please make sure unit is level before tightening these screws.**