

88 5180 42

Art & Crafts Night Stand

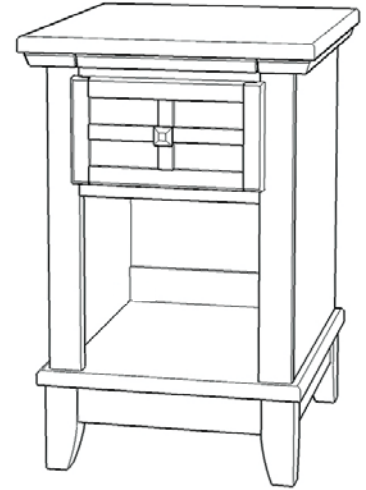
Cottage Oak

IMPORTANT NOTE

Carefully remove all the parts from the carton and put them individually on a soft cloth to prevent scratches or other damages occurring to the wood parts.

We have taken great care in the design of this product and request that you carefully and strictly follow our assembly instructions to ensure a completed product as it was designed.

Home
Styles



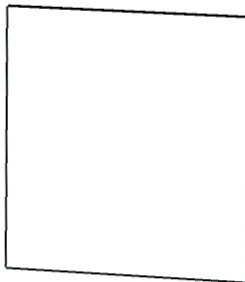
Part List



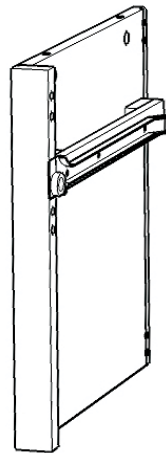
A.
Top
1 pc.



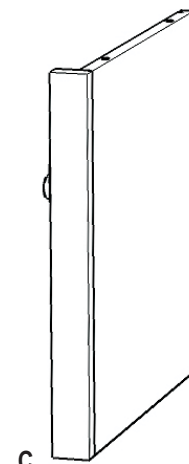
F.
Bottom
1 pc.



G.
Back Panel
1 pc.



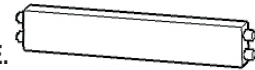
B.
Side Panel
1 pc.



C.
Side Panel
1 pc.



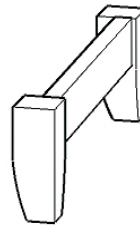
D.
Front Rail
1 pc.



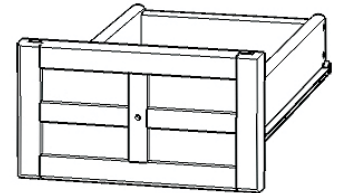
E.
Front Rail
1 pc.



H.
Back Rail
2 pcs.

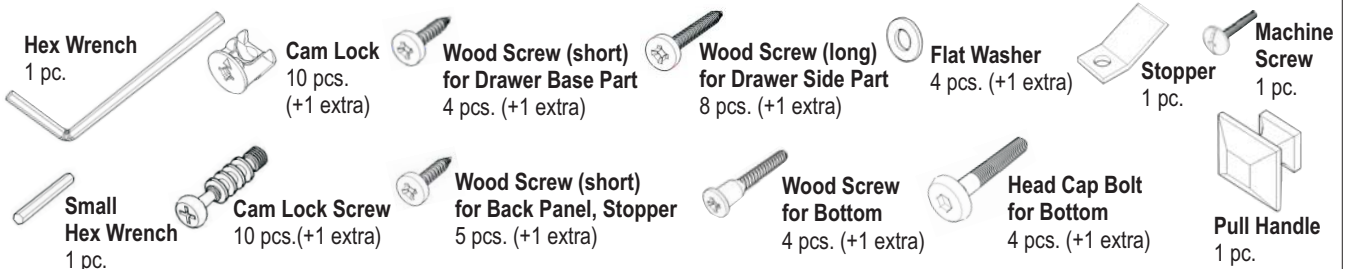


I.
Frame Leg
2 pcs.



J.
Drawer
1 pc.
(Knock-Down Construction, please refer to the last page of these instructions for drawer assembly steps)

Hardware List

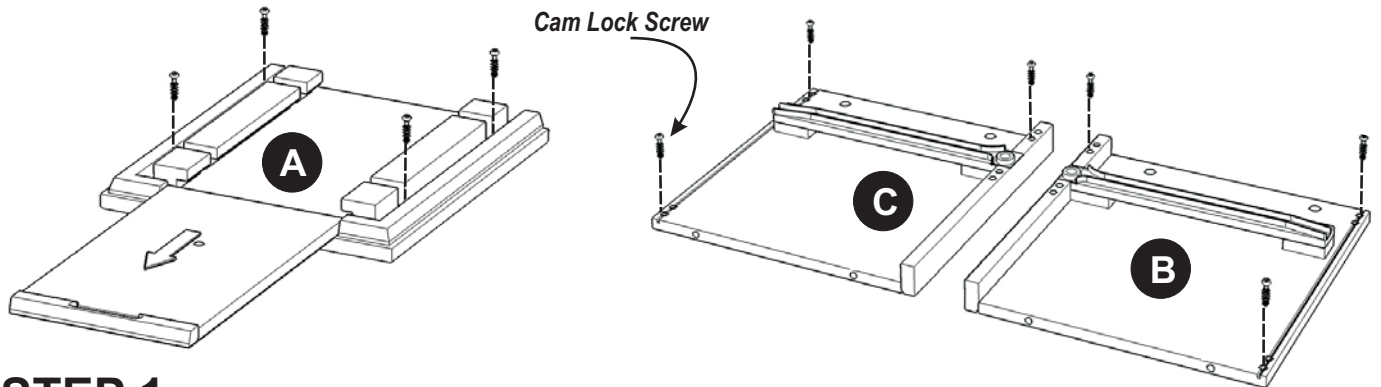


Tools required for assembly : Phillips screwdriver

Home Styles Consumer Assistance Line 888-680-7460 and 877-831-0319
servicedesk@homestyles-furniture.com

IMPORTANT

* Please keep Hex Wrench in a safe place as you may need to tighten up the Head Cap Bolts in the future.



STEP 1

Pull out shelf from Top (A).

Insert Cam Lock Screws into the pre-drilled holes of Top (A), Side Panel (B) and (C). (See figure 1)

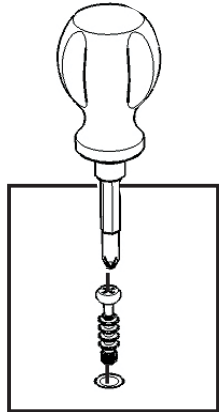


Figure 1

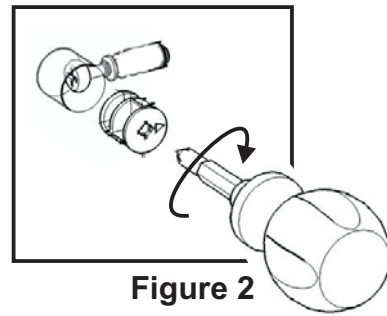


Figure 2

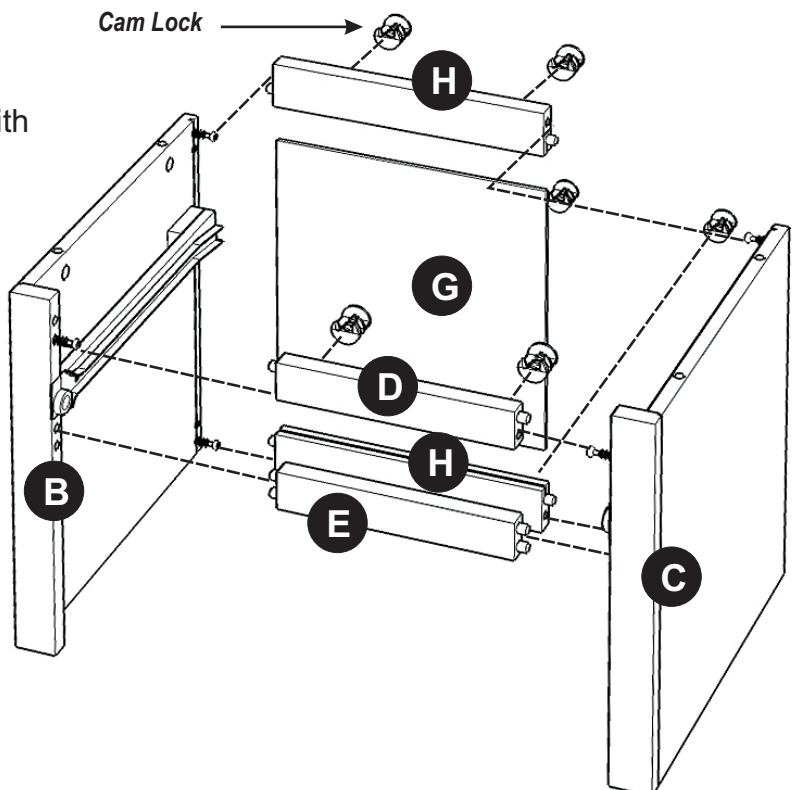
STEP 2

Attach Back Rail (H) to Side Panel (B) with Cam Locks. (See figure 2)

Slide Back Panel (G) to the unit.

Attach Front Rail (D) and (E) to unit with Cam Lock.

Attach Side Panel (C) to unit with Cam Locks.



STEP 3

Attach Bottom (F) to the unit with Flat Washers, Screws.
(See figure 3)

Attach Frame Leg (I) to the unit with Head Cap Bolts.
(See figure 4)

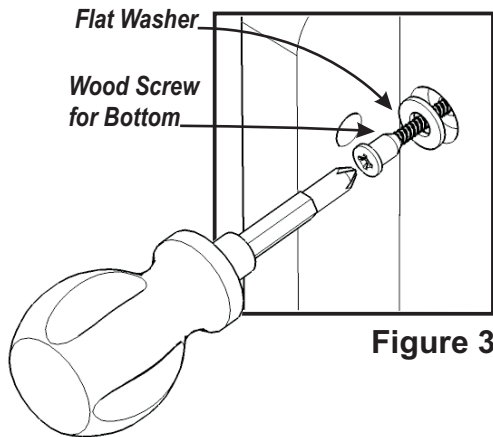


Figure 3

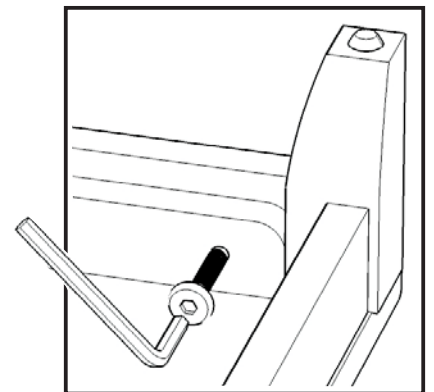
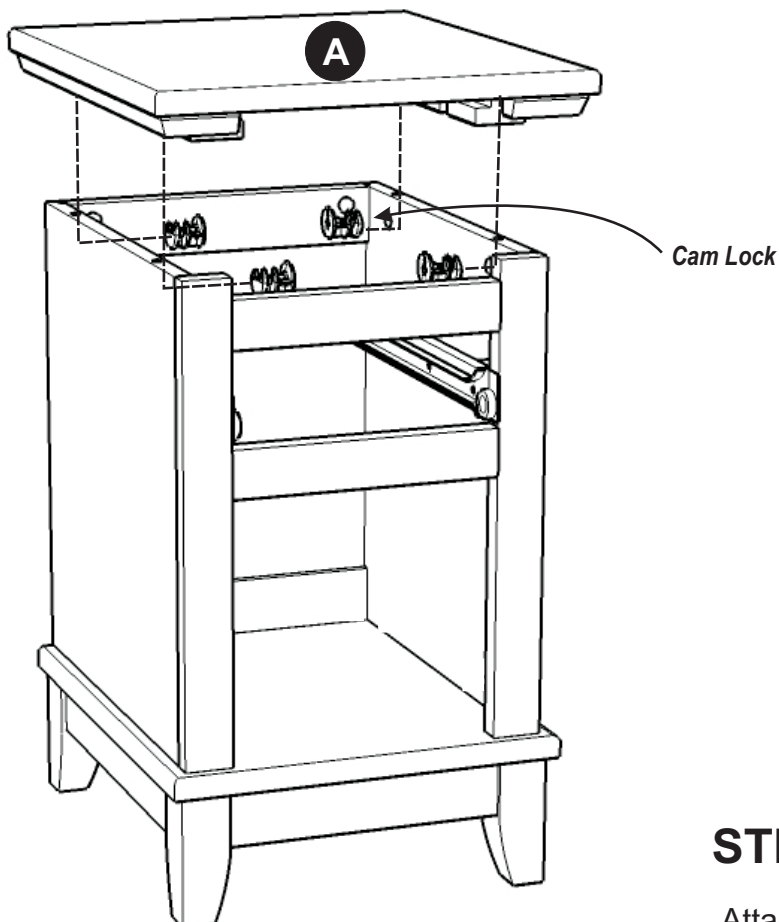
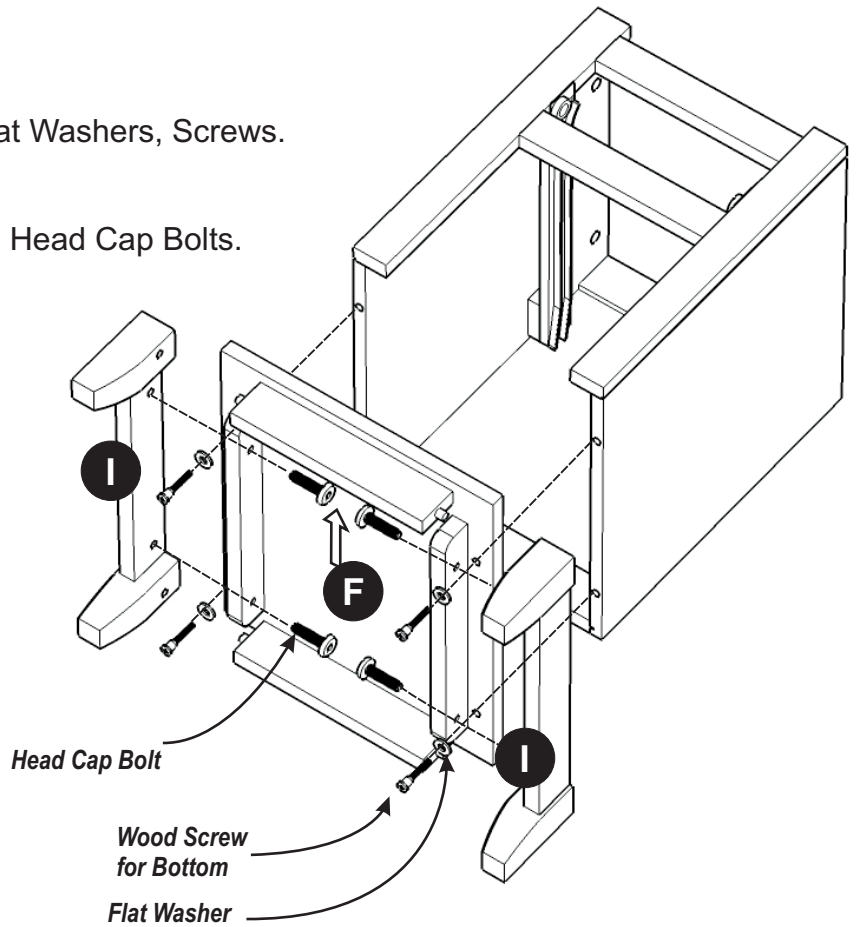


Figure 4

STEP 4

Attach Top (A) to unit with Cam Locks.

STEP 5

Slide shelf back into Top (A) of unit.

Insert Stopper and Wood Screw into the pre-drilled holes of shelf. (See figure 5)

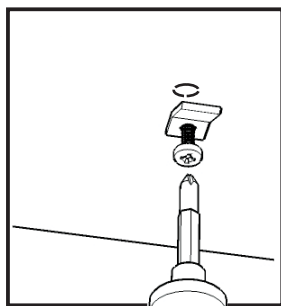
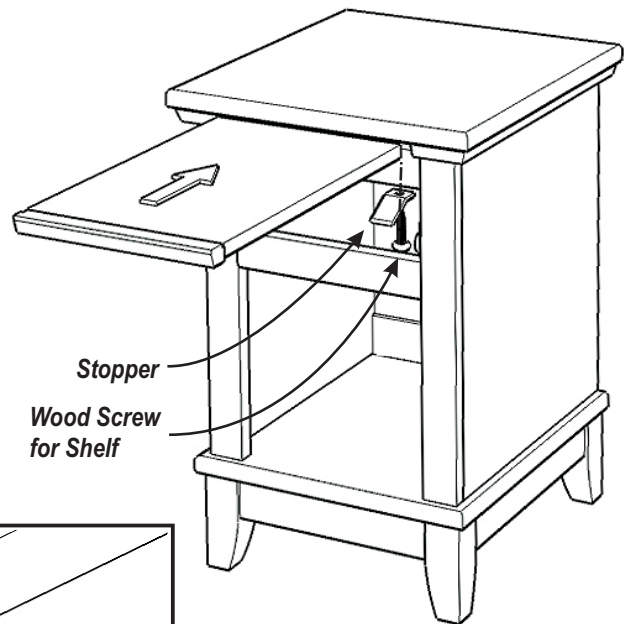


Figure 5

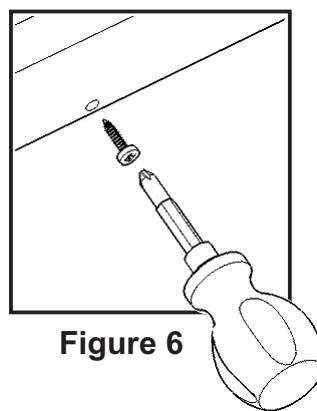
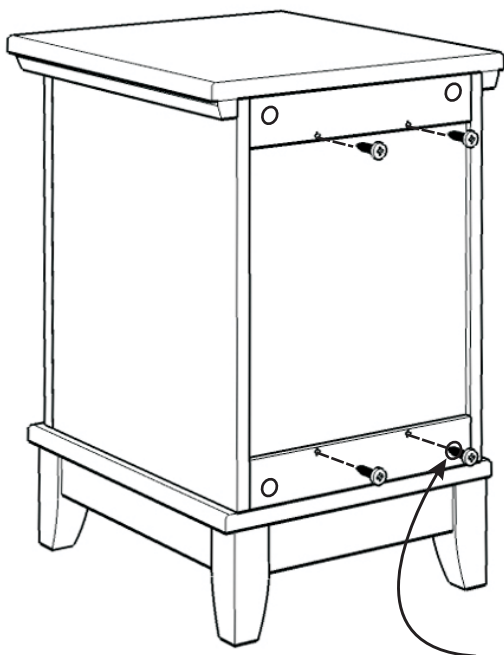


Figure 6

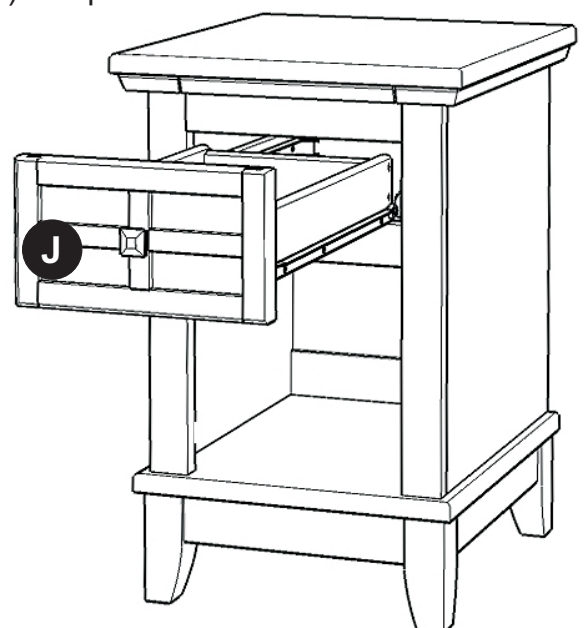


Wood Screw
for Back Panel

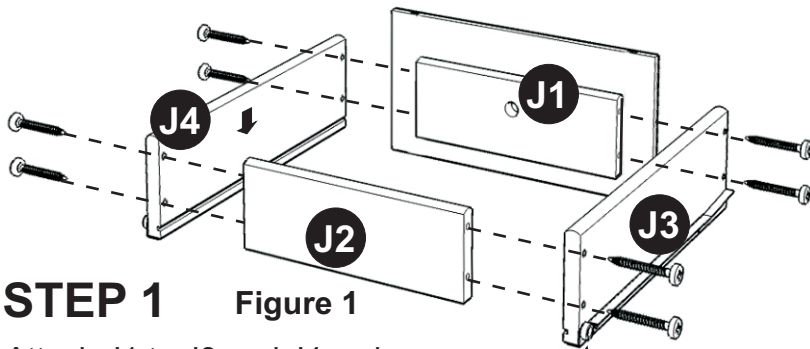
STEP 6

Insert 4X Wood Screws from the back of the unit, tighten up all the Wood Screws. (See figure 6)

Slide Drawer (J) into place.



Drawer (J)



STEP 1 Figure 1

Attach J1 to J3 and J4, using a Phillips screwdriver and long wood screws (4X), tighten halfway.

Attach J2 to J3 and J4 using long wood screws (4X), tighten halfway. (see Figure 1)

MAKE SURE ROLLER IS ON THE BACK

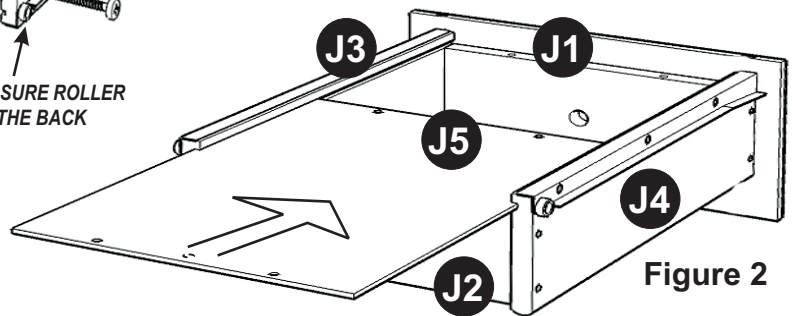


Figure 2

STEP 2

Slide J5 into the grooves in J3 and J4. Be sure to push J5 all the way forward so it meets J1. (see Figure 2)

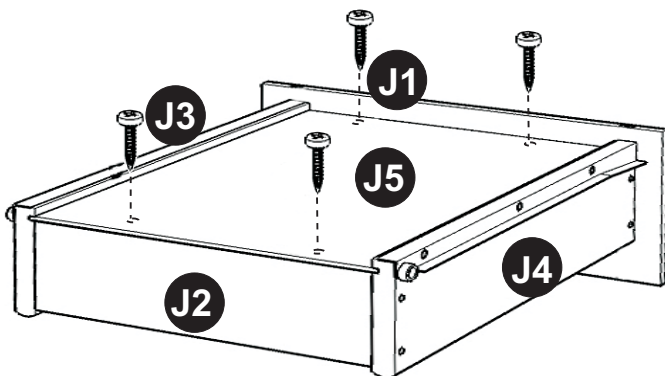


Figure 3

STEP 3

Insert short wood screws (4X) into the pre-drilled holes in J5, tighten screws. (see Figure 3)

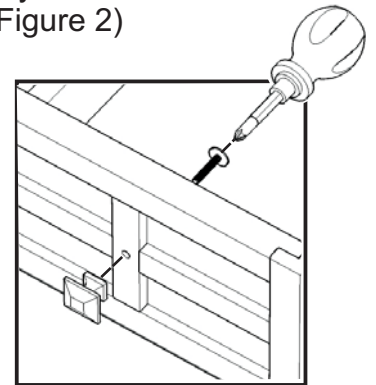


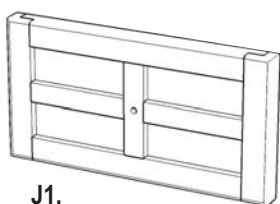
Figure 4

STEP 4

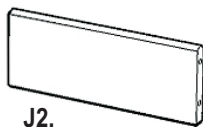
Assemble Pull Handle with machine screws. (see Figure 4)

Tighten all screws used in drawer assembly.

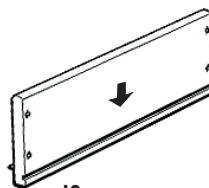
Part List



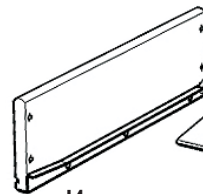
J1.
Front Part
1 pc.



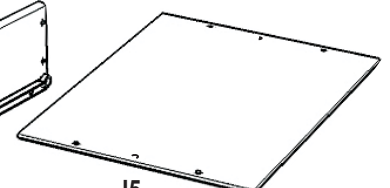
J2.
Back Part
1 pc.



J3.
Side Part
1 pc.



J4.
Side Part
1 pc.



J5.
Base Part
1 pc.