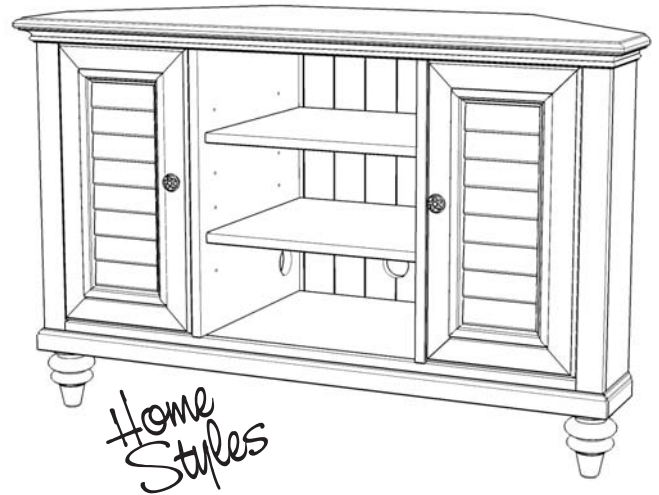


88 5542 07 Bermuda Corner TV Stand

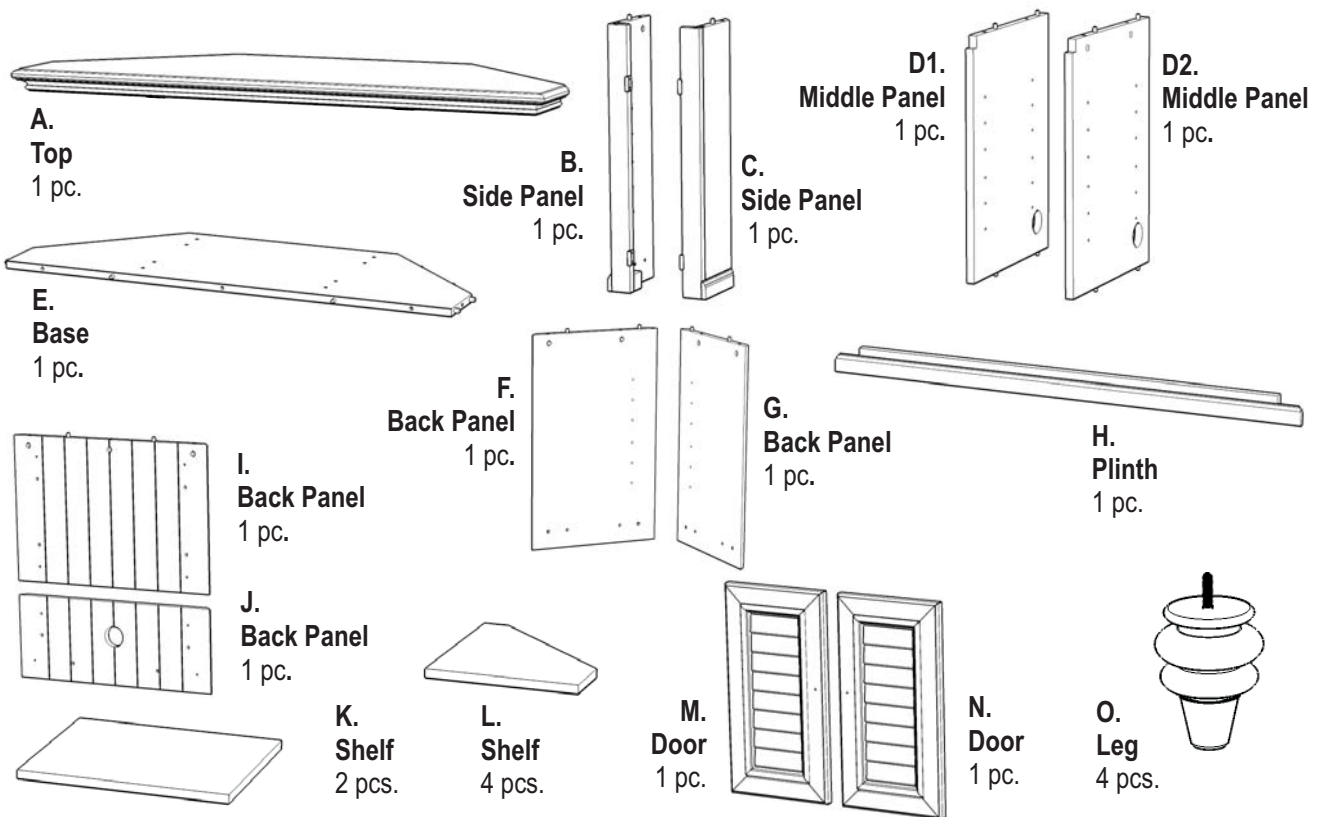
IMPORTANT NOTE

Carefully remove all the parts from the carton and put them individually on a soft cloth to prevent scratches or other damages occurring to the parts.

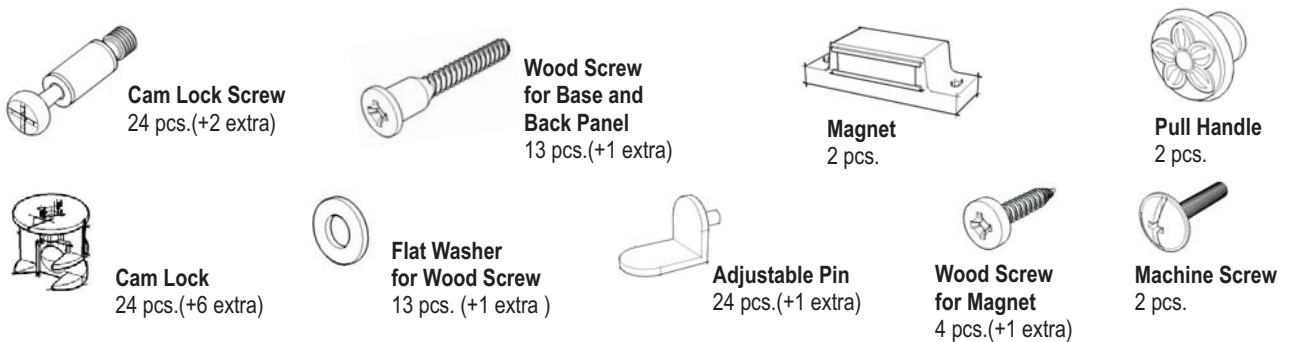
We have taken great care in the design of this product and request that you carefully and strictly follow our assembly instructions to ensure a completed product as it was designed.



Part List



Hardware List



Tools required for assembly : **Phillips** screwdriver

Tools recommended for assembly : Level

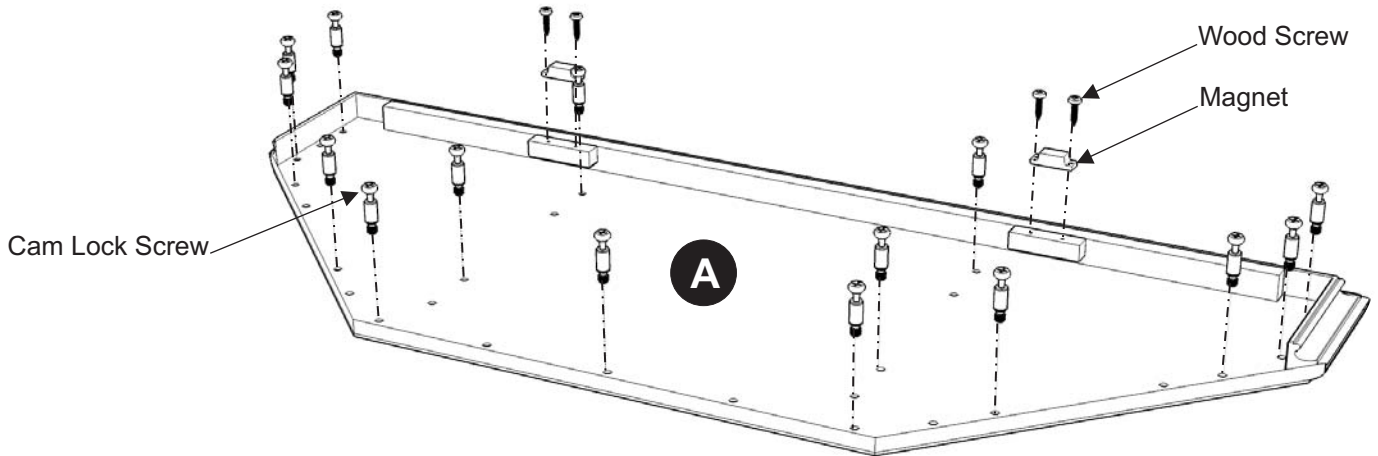
Home Styles Consumer Assistance Line 888-680-7460 and 877-831-0319
servicedesk@homestyles-furniture.com

Assembly Instructions 2/4

IMPORTANT

* Do not tighten up all the screws until each part is properly assembled.

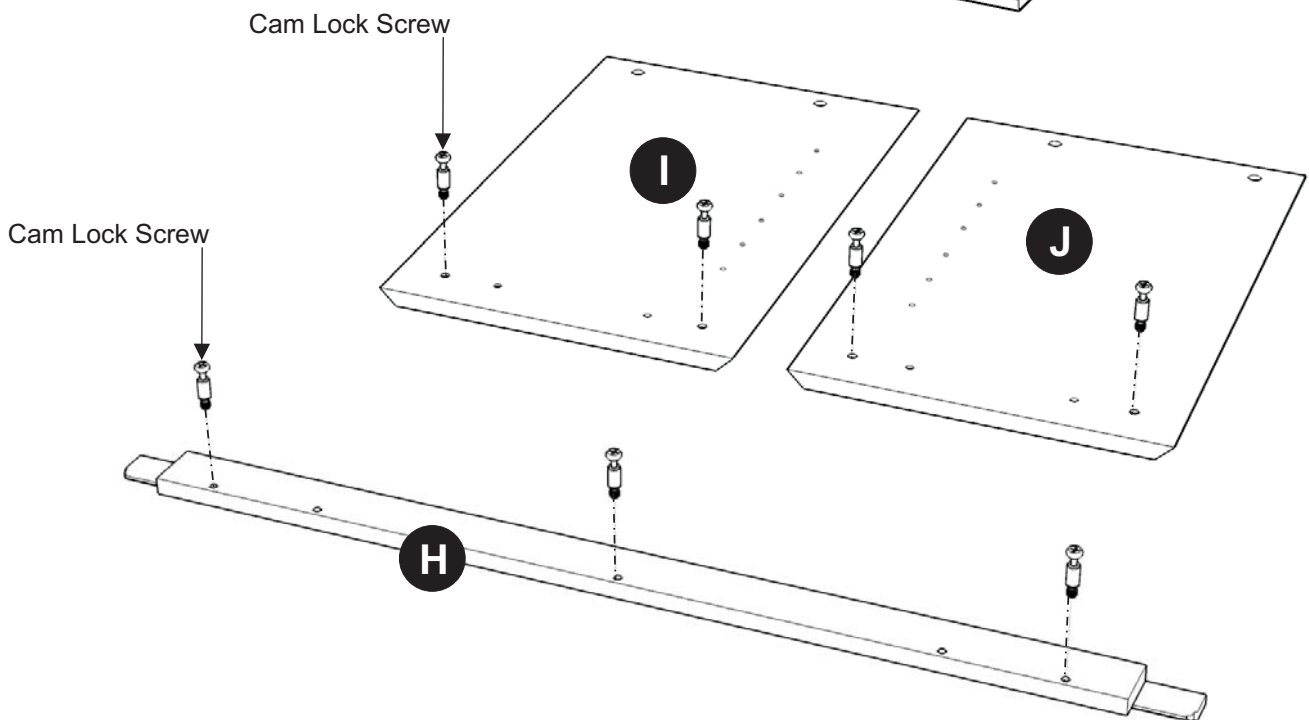
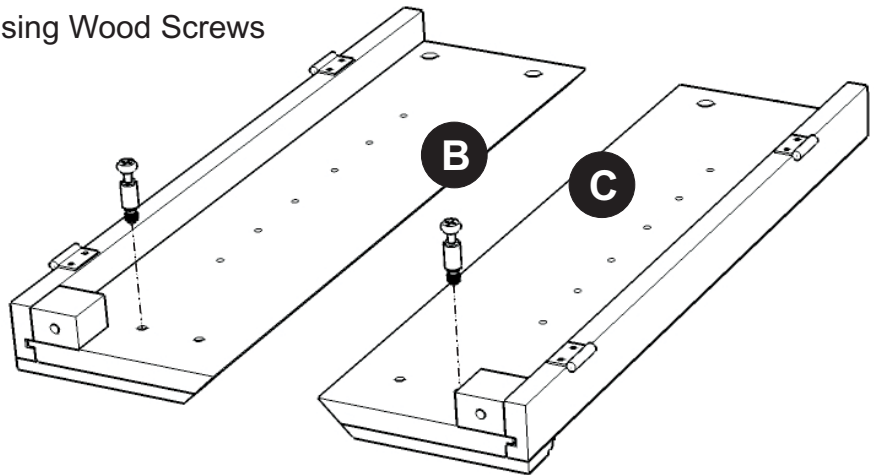
* After assembly item must be level to work properly. Use the included adjustable levelers to level.



STEP 1

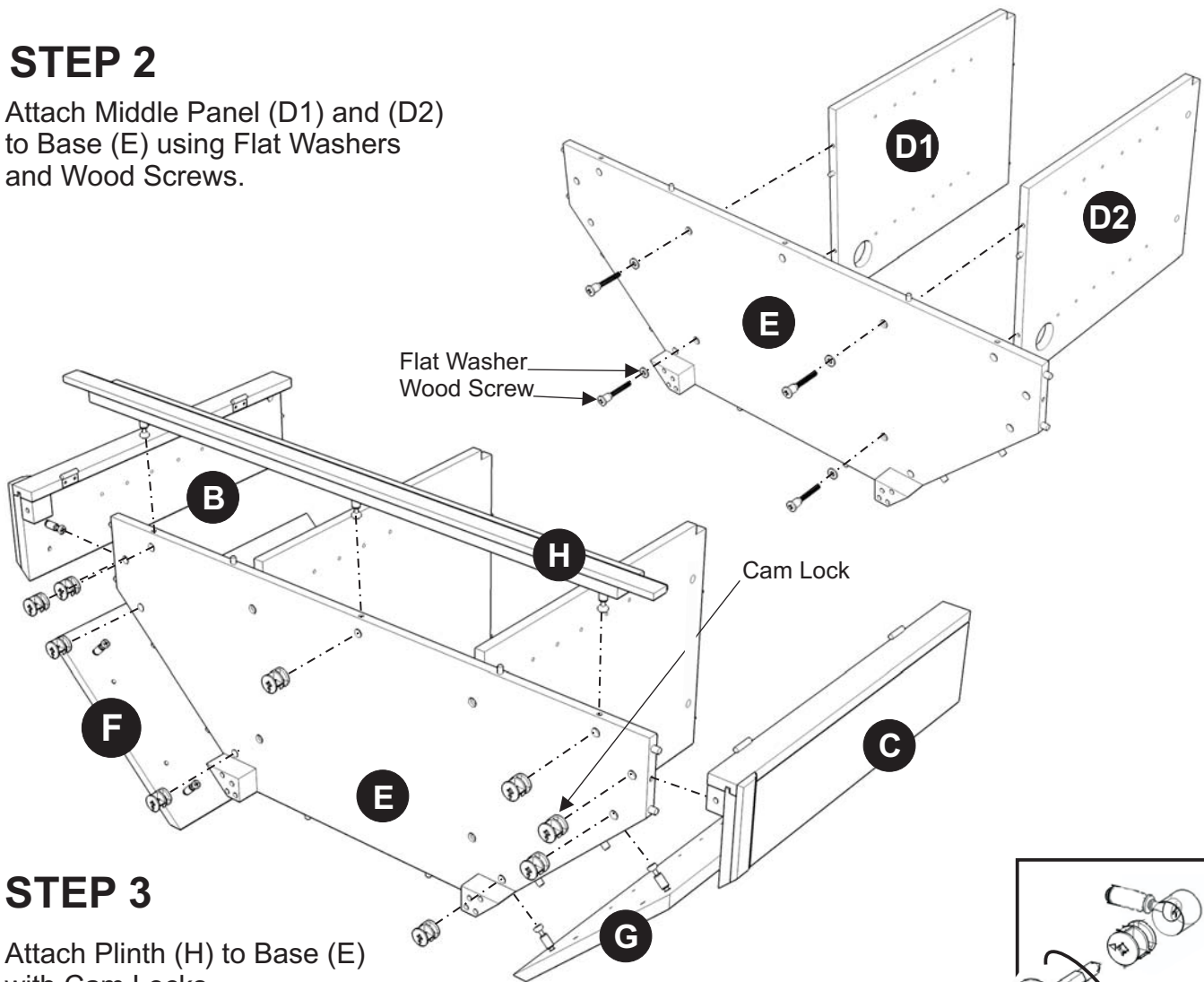
Attach 2X Magnets to Top (A) by using Wood Screws in the pre-drilled holes.

Insert Cam Lock Screws into the pre-drilled holes of Top (A), Side Panel (B) and (C), Back Panel (I) and (J), Plinth (H), then tighten.



STEP 2

Attach Middle Panel (D1) and (D2) to Base (E) using Flat Washers and Wood Screws.



STEP 3

Attach Plinth (H) to Base (E) with Cam Locks.

Attach Back Panel (F) and (G) to unit with Cam Locks.

Attach Side Panel (B) and (C) to unit with Cam Locks. (see Figure 1)

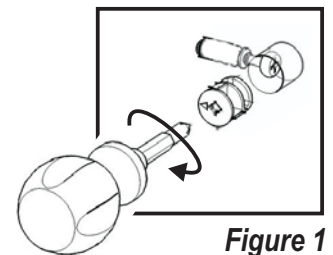
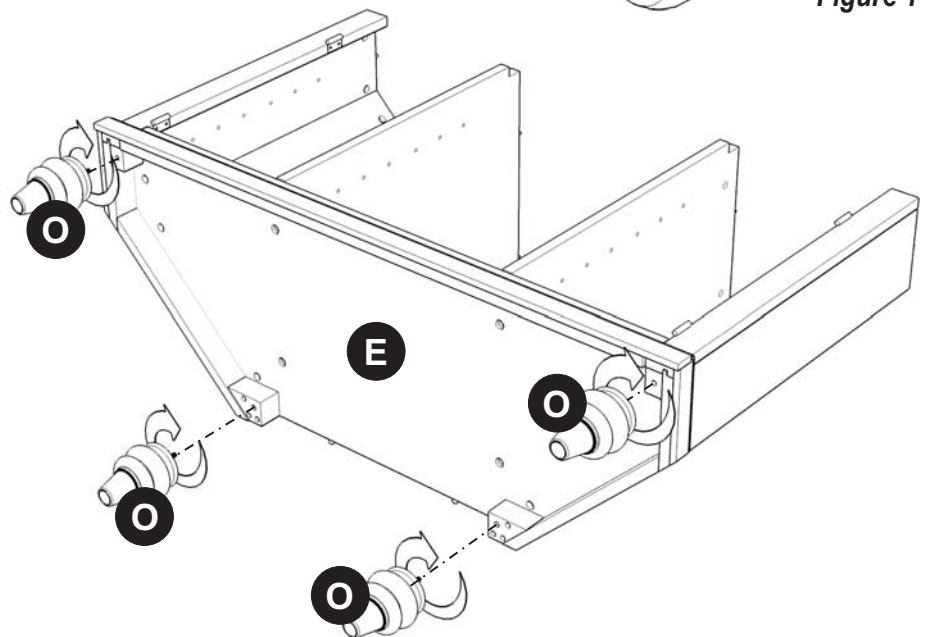


Figure 1

STEP 4

Attach Legs (O) into the pre-drilled holes of unit and tighten.



STEP 5

Attach Back Panel (I) and (J) to the unit with Flat Washers and Wood Screws.

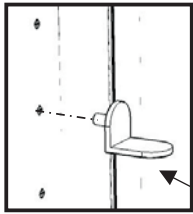


Figure 2

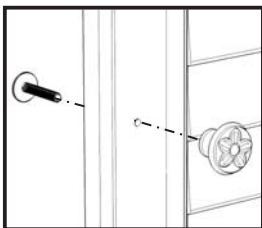


Figure 3

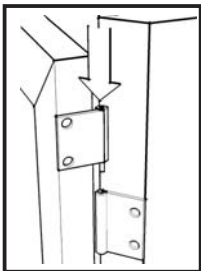


Figure 4

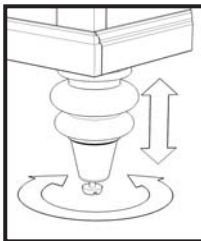
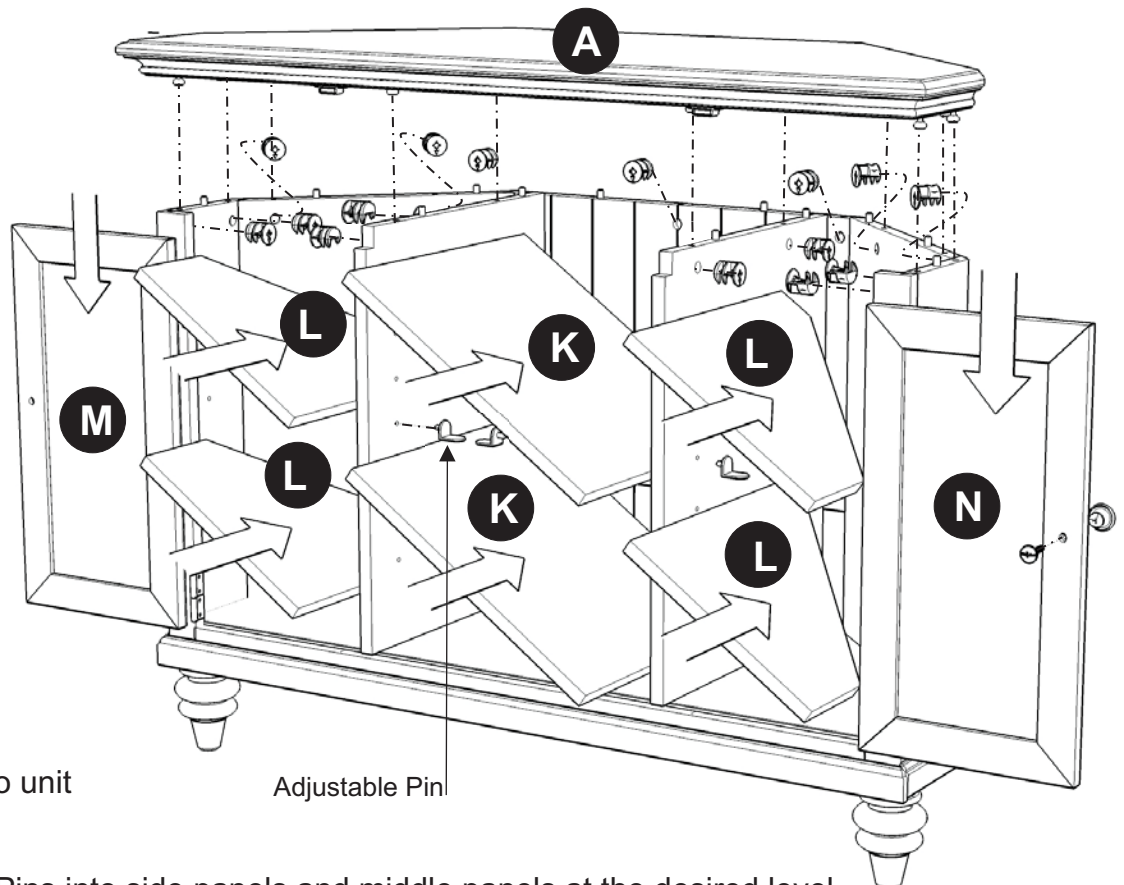
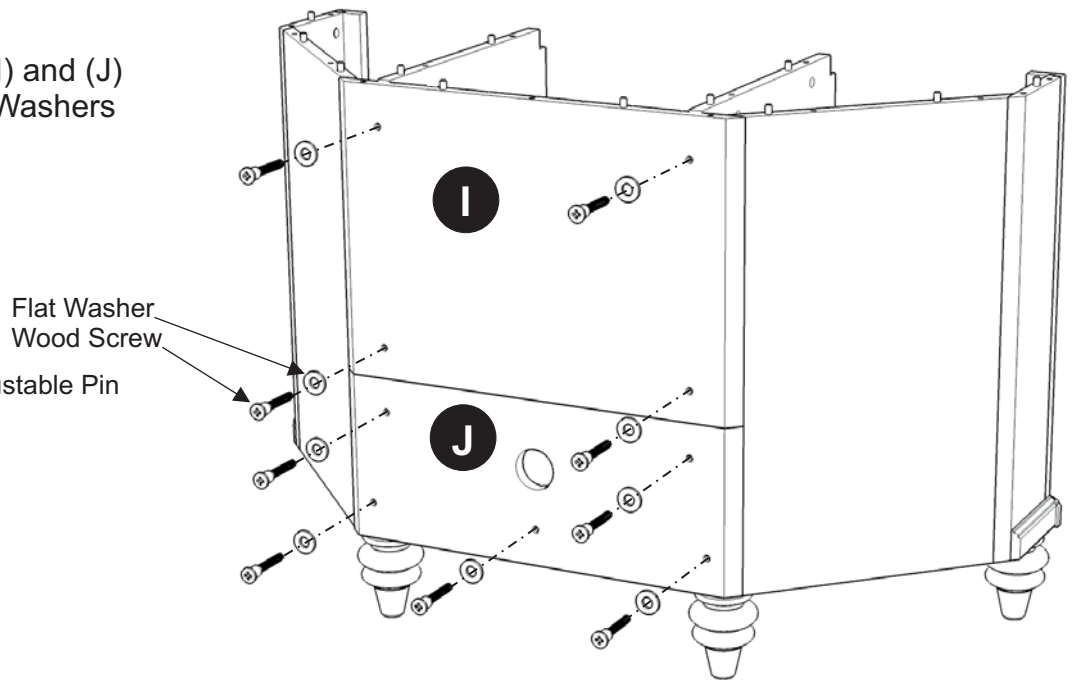


Figure 5



STEP 6

Place Top (A) onto unit with Cam Locks.

Insert Adjustable Pins into side panels and middle panels at the desired level (see Figure 2), then place Shelves (K) and (L) into position.

Assemble Pull Handles to Door (M) and (N) with Machine Screws. (see Figure 3)

Attach Door (M) and (N) to the side panels, by sliding the door lift hinges into the side panels lift hinges. (see Figure 4)

To level the unit, adjust the adjustable levelers on the bottom of legs. (see Figure 5)