

88 5065 951 Modern Kitchen Cart

IMPORTANT NOTE

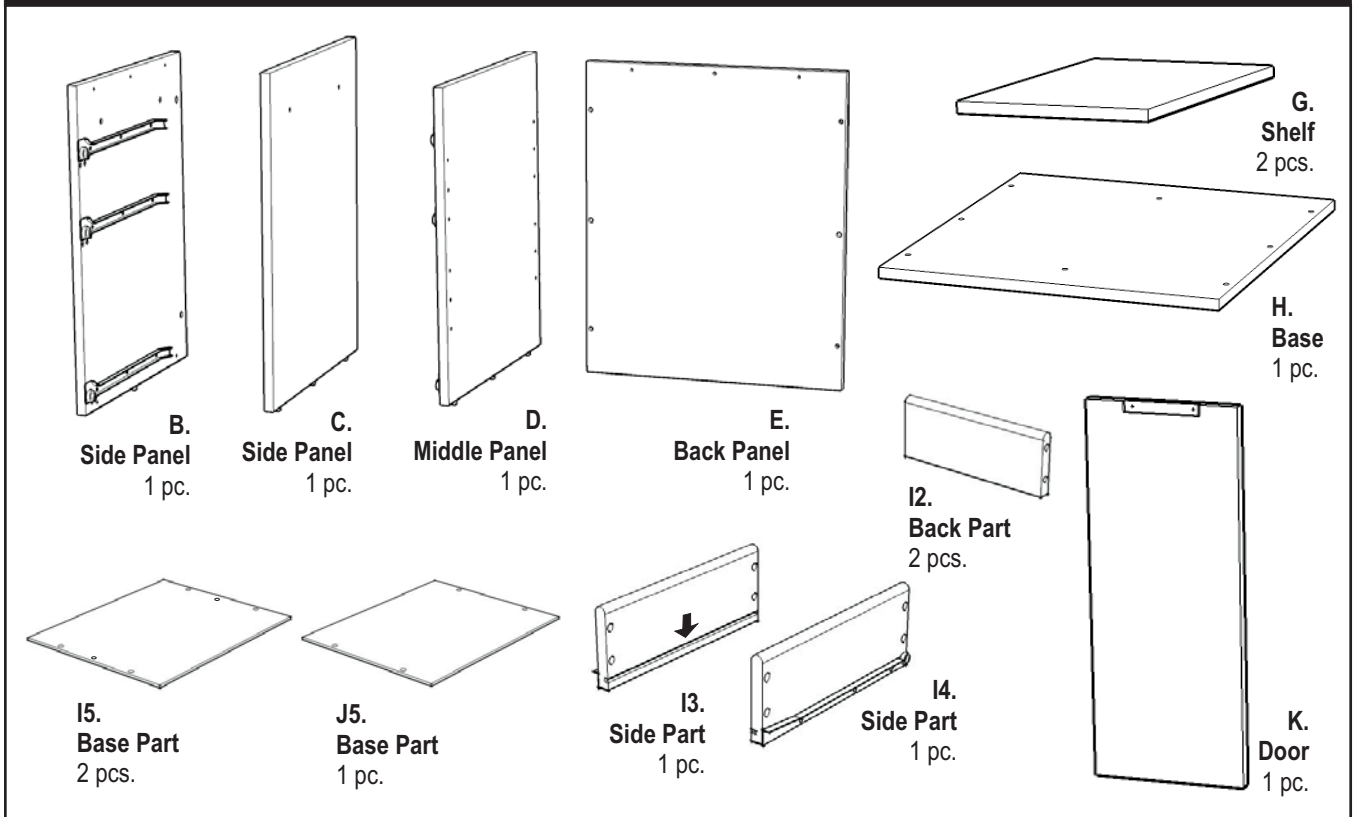
Carefully remove all the parts from the carton and put them individually on a soft cloth to prevent scratches or other damages occurring to the parts.

We have taken great care in the design of this product and request that you carefully and strictly follow our assembly instructions to ensure a completed product as it was designed.

*Home
Styles*



PART LIST



HARDWARE LIST



For assembly see instructions in carton 88 5065 952

Tools required for assembly : Phillips screwdriver

Home Styles Consumer Assistance Line 888-680-7460 and 877-831-0319
servicedesk@homestyles-furniture.com

88 5065 952 Modern Kitchen Cart

IMPORTANT NOTE

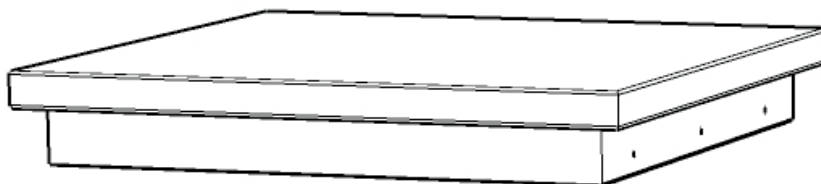
Carefully remove all the parts from the carton and put them individually on a soft cloth to prevent scratches or other damages occurring to the parts.

We have taken great care in the design of this product and request that you carefully and strictly follow our assembly instructions to ensure a completed product as it was designed.

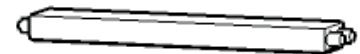
*Home
Styles*



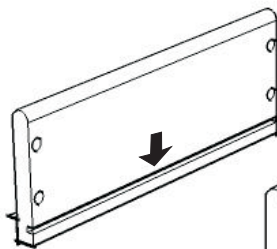
Part List



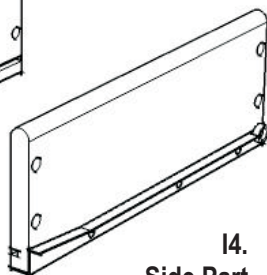
A.
Top



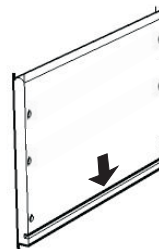
F.
Stretcher
2 pcs.



I3.
Side Part
1 pc.



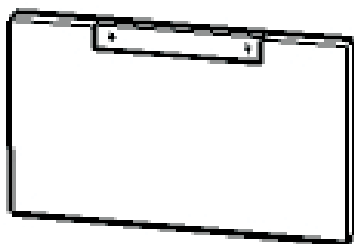
I4.
Side Part
1 pc.



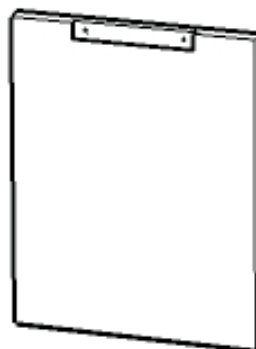
J3.
Side Part
1 pc.



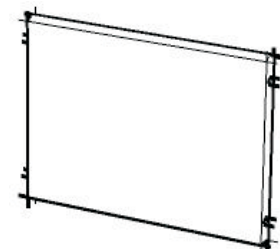
J4.
Side Part
1 pc.



I1.
Front Part
2 pcs.



J1.
Front Part
1 pc.



J2.
Back Part
1 pc.

Also need the parts in carton 88 5065 951 :

Tools required for assembly : Phillips screwdriver

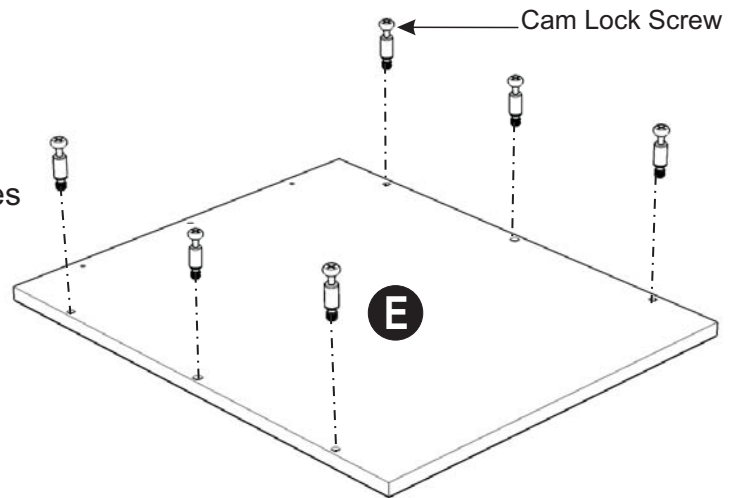
Home Styles Consumer Assistance Line 888-680-7460 and 877-831-0319
servicedesk@homestyles-furniture.com

IMPORTANT

Do not tighten up all the screws until each part is properly assembled.
You should keep Hex Wrench in a safe place as you may need to tighten up the Head Cap Bolts in the future.

STEP 1

Put Cam Lock Screws into the pre-drilled holes of Back Panel (E) and tighten.



Attach Casters to Base (H) with Wood Screws putting the Locking Casters in front. (see "Arrow" sticker indicating front side), (see Figure 1)

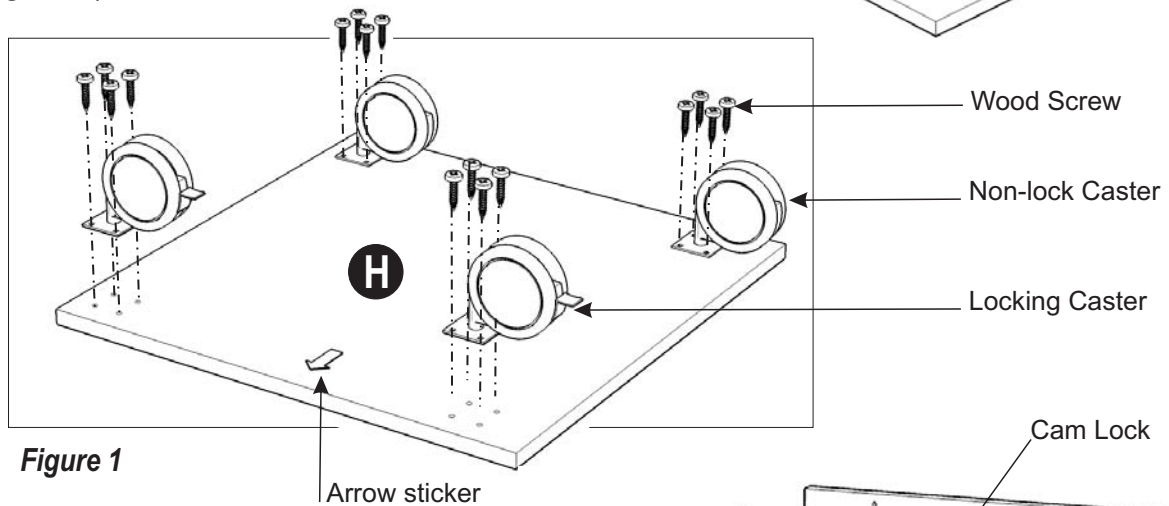
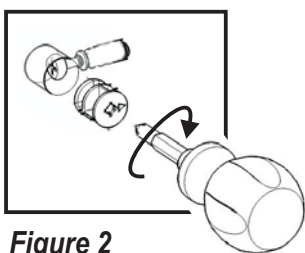
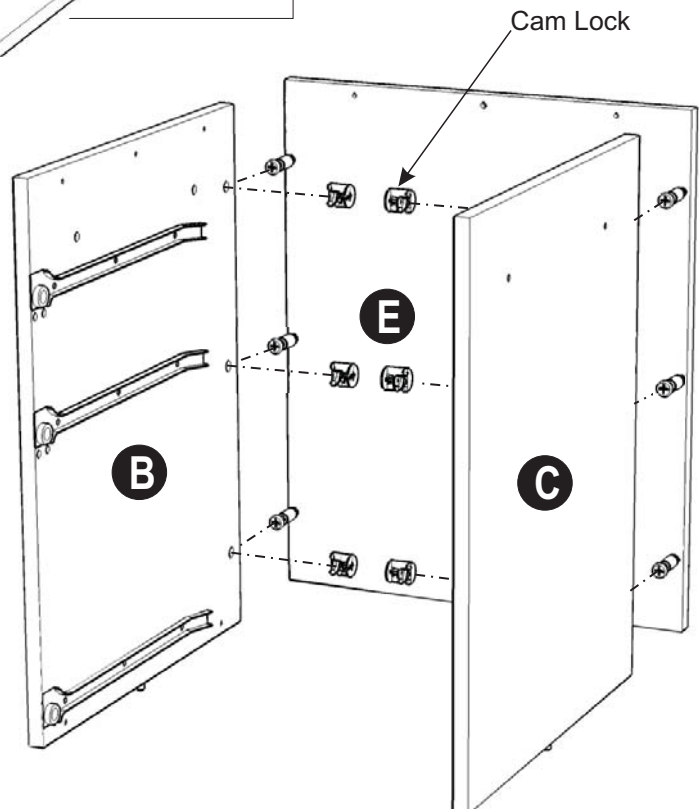


Figure 1

STEP 2

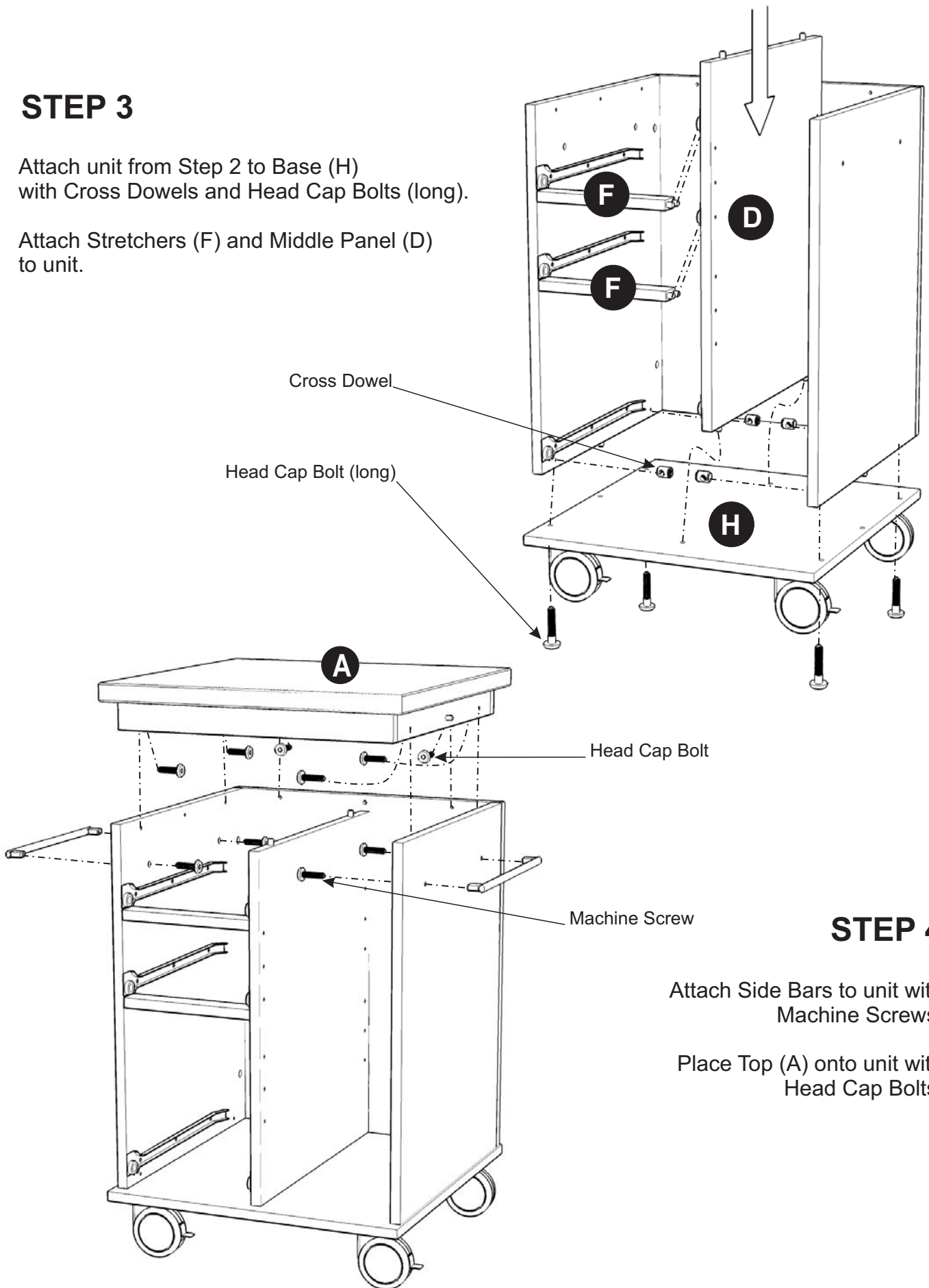
Attach Side Panels (B) and (C) to Back Panel (E) using Cam Locks. (see Figure 2)



STEP 3

Attach unit from Step 2 to Base (H) with Cross Dowels and Head Cap Bolts (long).

Attach Stretchers (F) and Middle Panel (D) to unit.



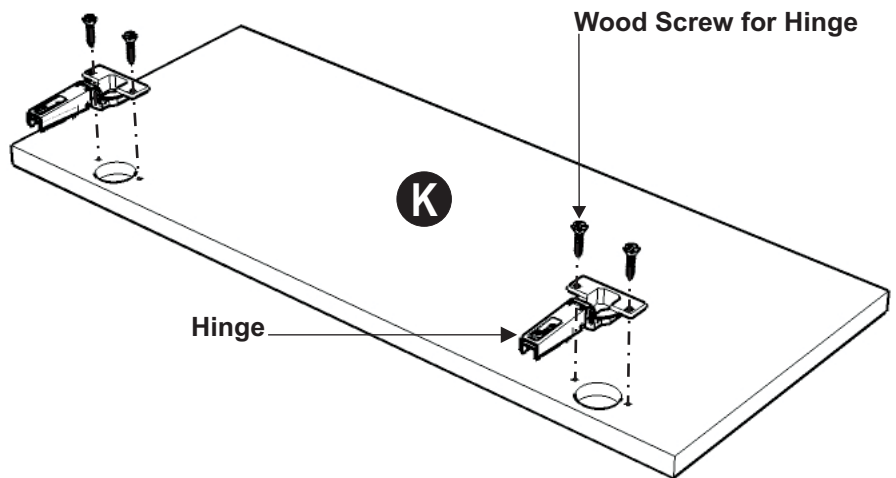
STEP 4

Attach Side Bars to unit with Machine Screws.

Place Top (A) onto unit with Head Cap Bolts.

STEP 5

Attach Hinge to Door (K) with Wood Screw for Hinge.



STEP 6

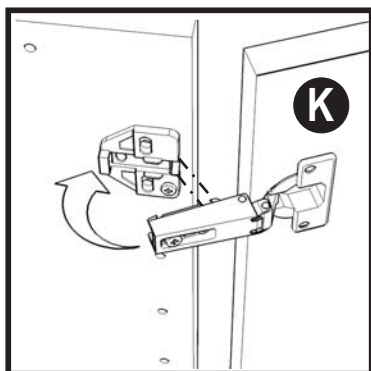
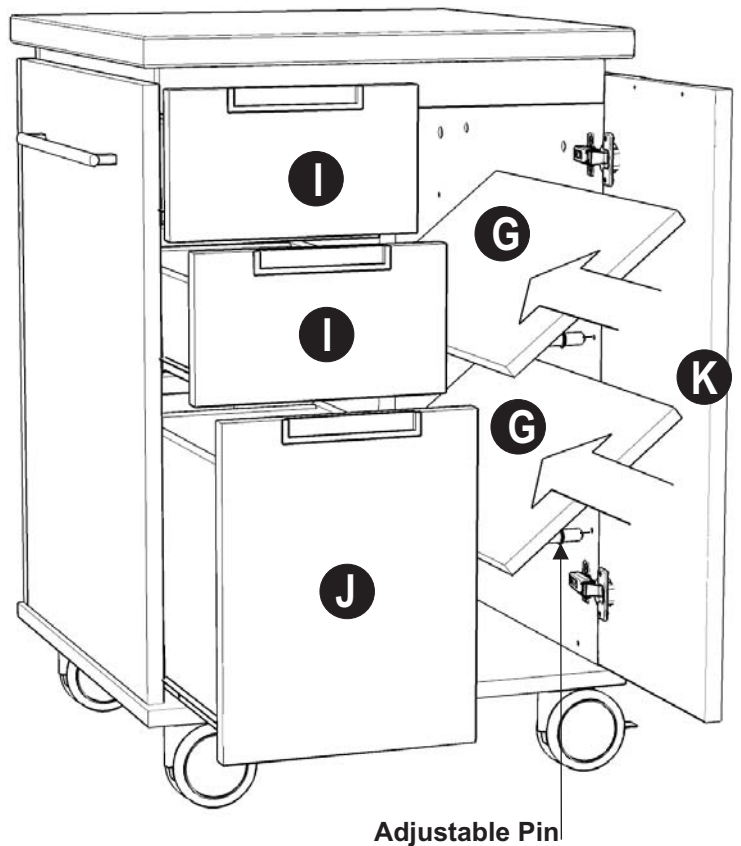
Attach Door (K) to unit. (see Figure 3)

Assemble Pull Handle to Door (K) with Machine Screws. (see Figure 4)

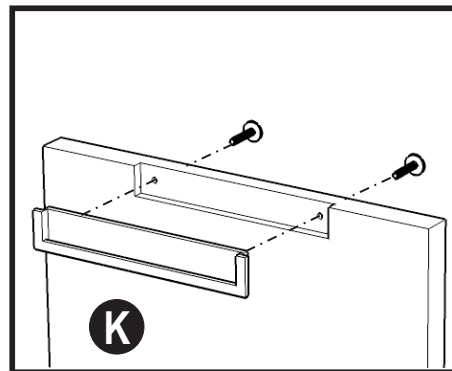
Insert Adjustable Pins into right side panel and middle panel at the desired level.

Slide Shelf (G) into place.

Slide Drawers (I) and (J) into place. (See Pages 5/6 and 6/6 for drawer assembly.)



(Figure 3)



(Figure 4)

Drawer (I)

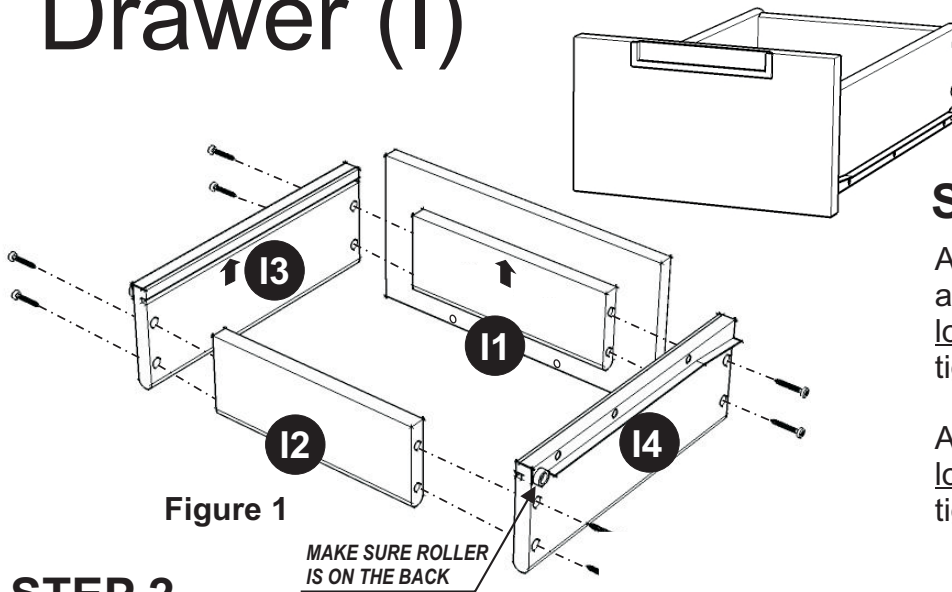


Figure 1

STEP 1

Attach I1 to I3 and I4, using a Phillips screwdriver and long wood screws (4X), tighten halfway.

Attach I2 to I3 and I4 using long wood screws (4X), tighten halfway. (see Figure 1)

STEP 2

Slide I5 into the grooves in I3 and I4. Be sure to push I5 all the way forward to it meets I1. (see Figure 2)

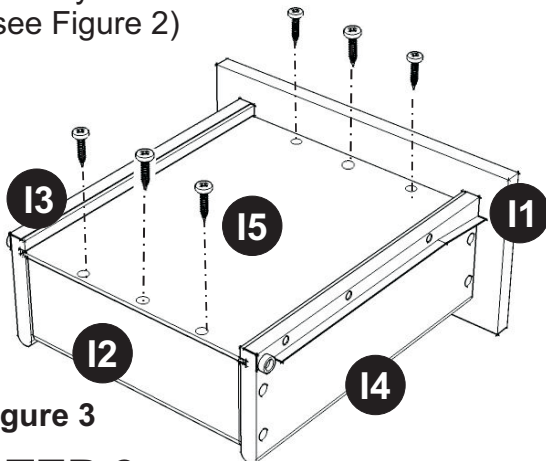


Figure 3

STEP 3

Insert short wood screws (6X) into the pre-drilled holes in I5, tighten screws. (see Figure 3)

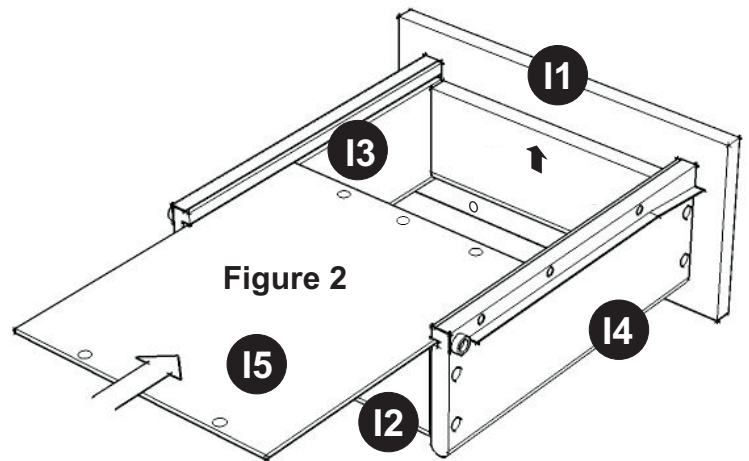


Figure 2

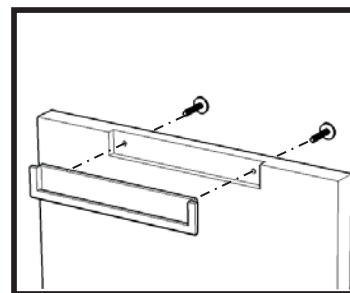


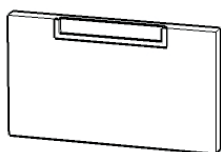
Figure 4

STEP 4

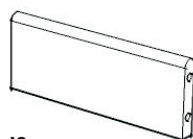
Attach hardware pulls with machine screws. (see Figure 4)

Tighten all screws used in drawer assembly.

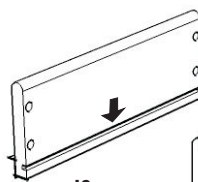
Part List



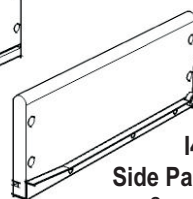
11.
Front Part
2 pcs.



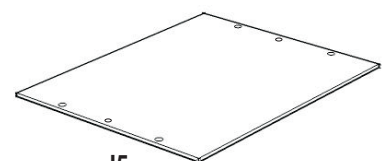
12.
Back Part
2 pcs.



13.
Side Part
2 pcs.



14.
Side Part
2 pcs.



15.
Base Part
2 pcs.

Drawer (J)

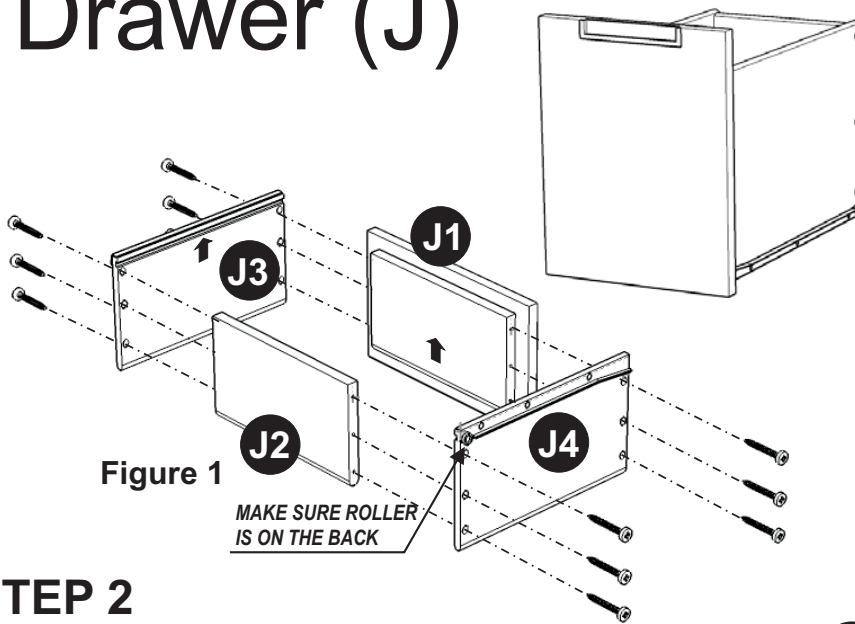


Figure 1

STEP 1

Attach J1 to J3 and J4, using a Phillips screwdriver and long wood screws (6X), tighten halfway.

Attach J2 to J3 and J4 using long wood screws (6X), tighten halfway. (see Figure 1)

STEP 2

Slide J5 into the grooves in J3 and J4. Be sure to push J5 all the way forward so it meets J1. (see Figure 2)

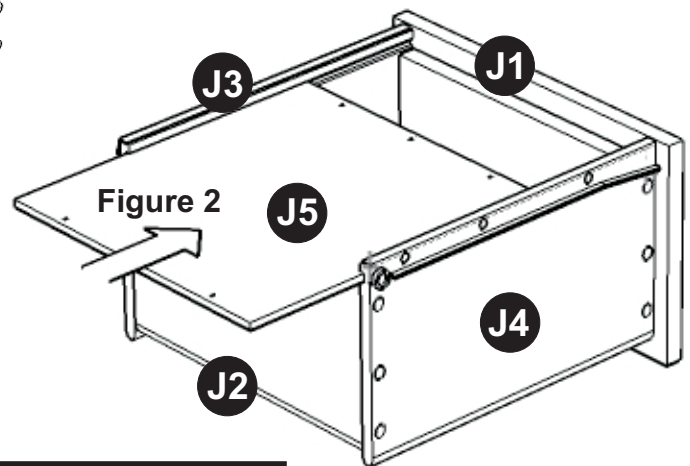


Figure 2

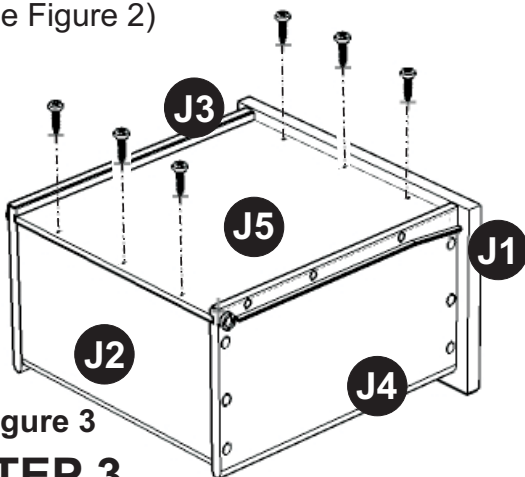


Figure 3

STEP 3

Insert short wood screws (6X) into the pre-drilled holes in J5, tighten screws. (see Figure 3)

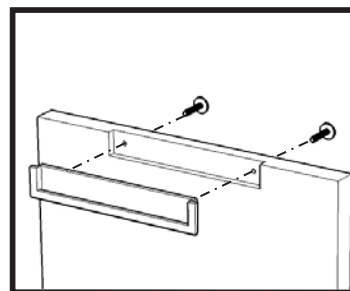


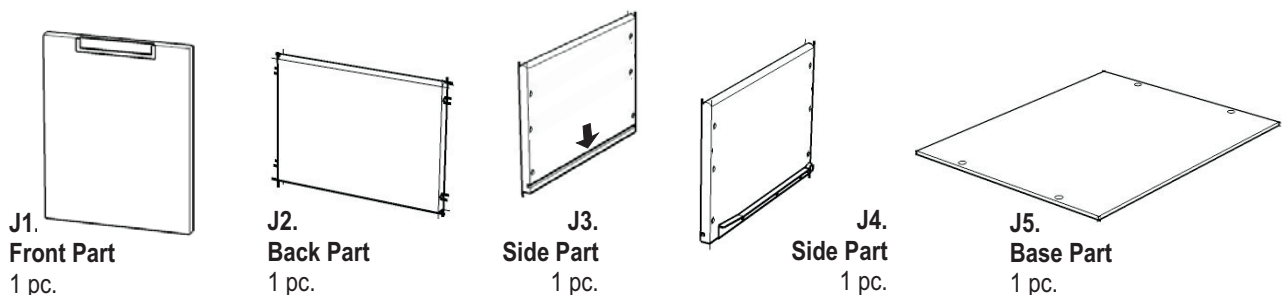
Figure 4

STEP 4

Attach hardware pulls with machine screws. (see Figure 4)

Tighten all screws used in drawer assembly.

Part List



J1.
Front Part
1 pc.

J2.
Back Part
1 pc.

J3.
Side Part
1 pc.

J4.
Side Part
1 pc.

J5.
Base Part
1 pc.