

88 5004 88

Deluxe

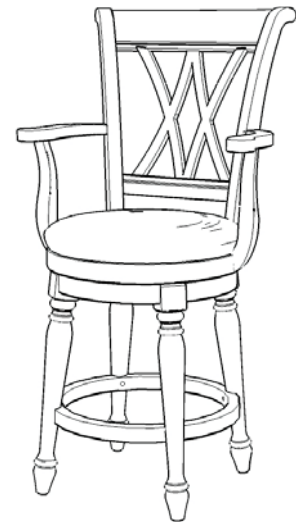
Swivel Bar Stool

IMPORTANT NOTE

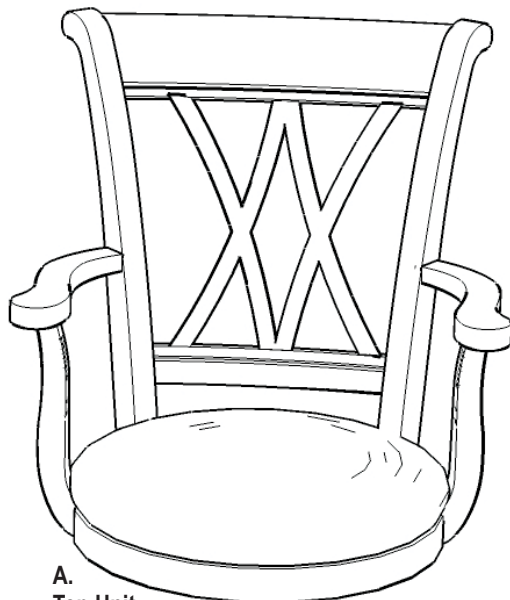
Carefully remove all the parts from the carton and put them individually on a soft cloth to prevent scratches or other damages occurring to the parts.

We have taken great care in the design of this product and request that you carefully and strictly follow our assembly instructions to ensure a completed product as it was designed.

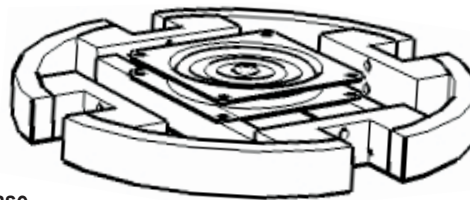
Home Styles



Part List



A.
Top Unit
1 pc.



B.
Base
1 pc.



C.
Foot Rest
1 pc.



D.
Leg
4pcs.

Hardware List



Hex Wrench
1 pc.



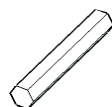
Spring Washer
12 pcs. (+1 extra)



Flat Washer
12 pcs. (+1 extra)



Wood plug
4 pcs. (+1 extra)



Small Hex Wrench
1 pc.



Head Cap Bolt (short)
8 pcs. (+1 extra)



Head Cap Bolt (long)
8 pcs. (+1 extra)

Home Styles Consumer Assistance Line 888-680-7460 and 877-831-0319
servicedesk@homestyles-furniture.com

IMPORTANT

* You should keep Hex Wrench and in a safe place as you may need to tighten up the Head Cap Bolts in the future.

STEP 1

Attach Two Legs (D) to Base (B) with Flat Washers, Spring Washers and Head Cap Bolts (long). (See figure 1)

Attach Foot Rest (C) to Leg (D) with Head Cap Bolts (short). (See figure 2)

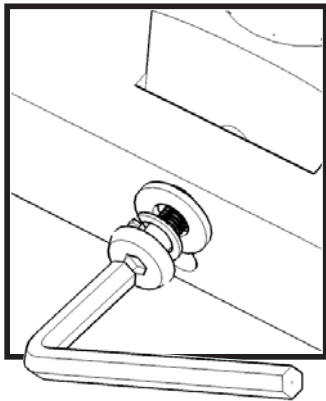


Figure 1

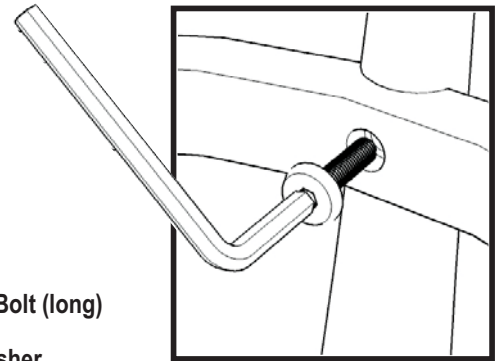
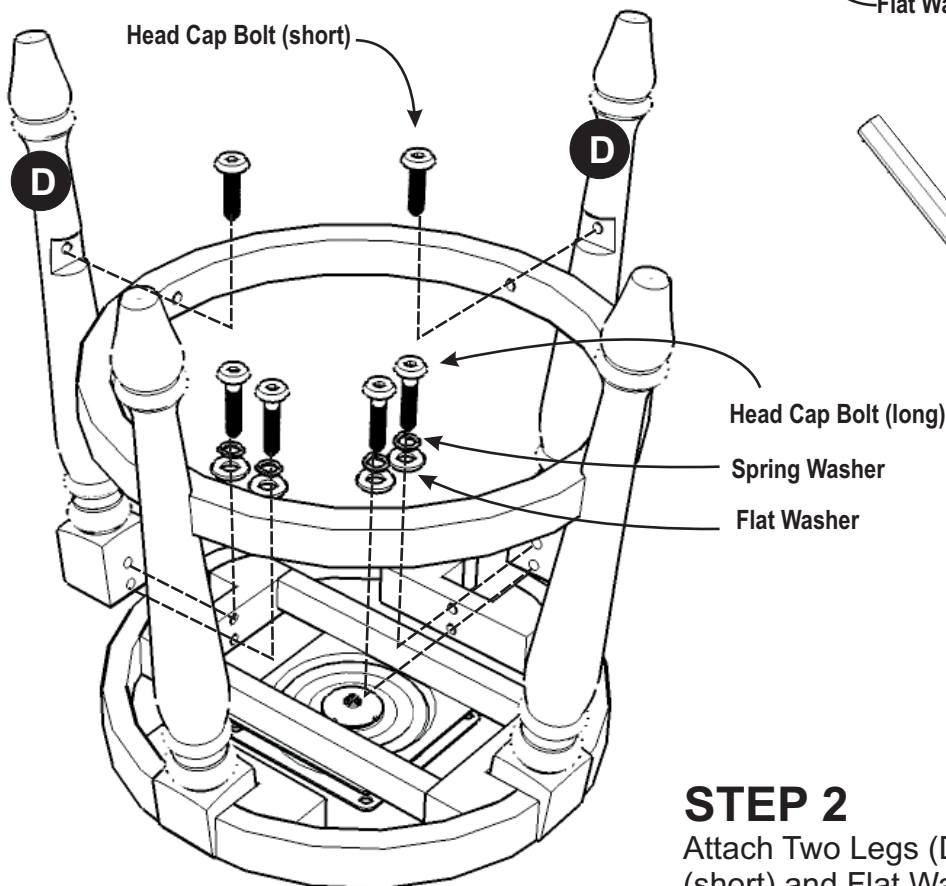
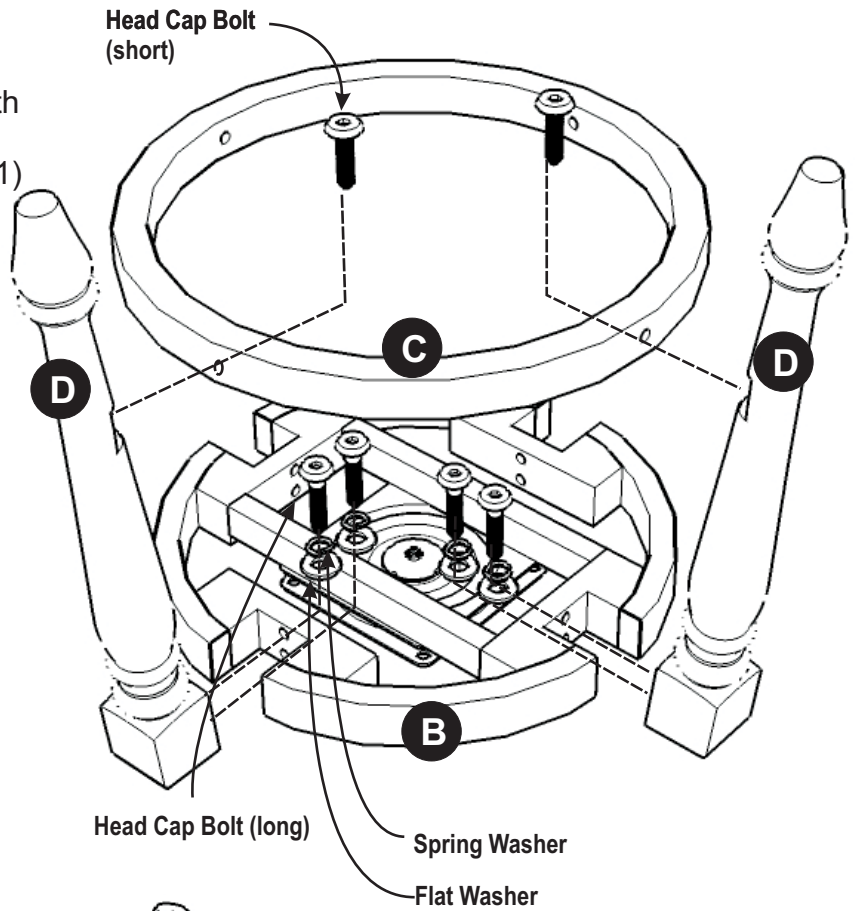


Figure 2

STEP 2

Attach Two Legs (D) to unit with Head Cap Bolts (short) and Flat Washers, Spring Washers and Head Cap Bolts (long).

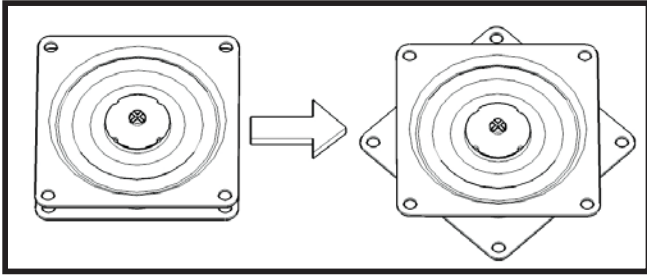


Figure 3

STEP 3

Rotate the swivel plate (See figure 3)

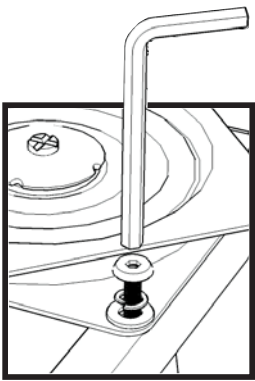
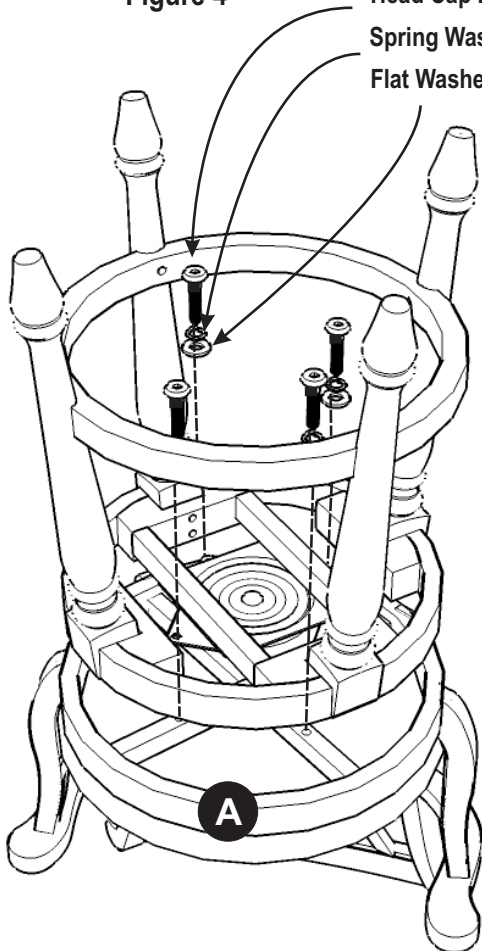


Figure 4

Head Cap Bolt (short)
Spring Washer
Flat Washer



STEP 4

Turn the Top Unit (A) over and place it on a soft cloth.

Place the Base unit onto the Top Unit (A) and attach it with Flat Washers, Spring Washers and Head Cap Bolt (short). (See figure 4)

Cover all bolt holes in Foot Rest with Wood Plugs.

Wood Plug

