

88 5004 94DLX1 Deluxe Kitchen Island

IMPORTANT NOTE

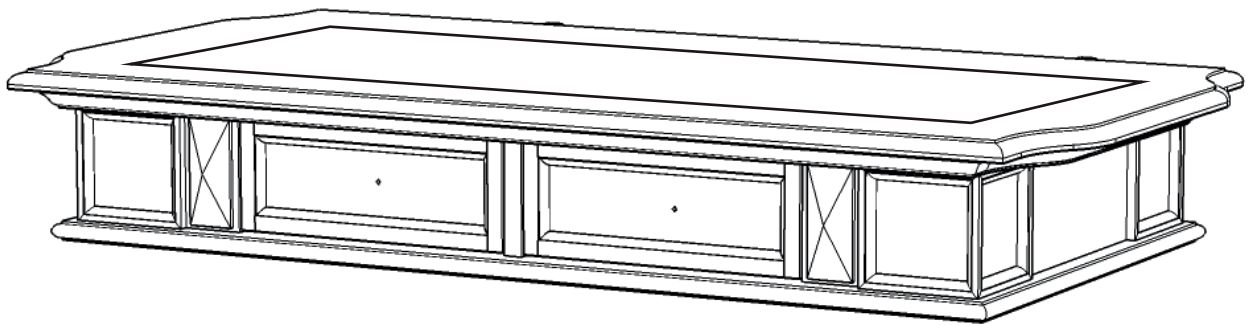
Carefully remove all the parts from the carton and put them individually on a soft cloth to prevent scratches or other damages occurring to the parts.

We have taken great care in the design of this product and request that you carefully and strictly follow our assembly instructions to ensure a completed product as it was designed.

*Home
Styles*



Part List



A.
Top Unit
1 pc.



A1.
Divider
4 pcs.

For assembly see instructions in carton 88 5002 94DLX3

Tools required for assembly : Phillips screwdriver

Tools recommended for assembly :Level

Home Styles Consumer Assistance Line 888-680-7460 and 877-831-0319

servicedesk@homestyles-furniture.com

Revised date : 20Aug2012

88 5004 94DLX2 Deluxe Kitchen Island

IMPORTANT NOTE

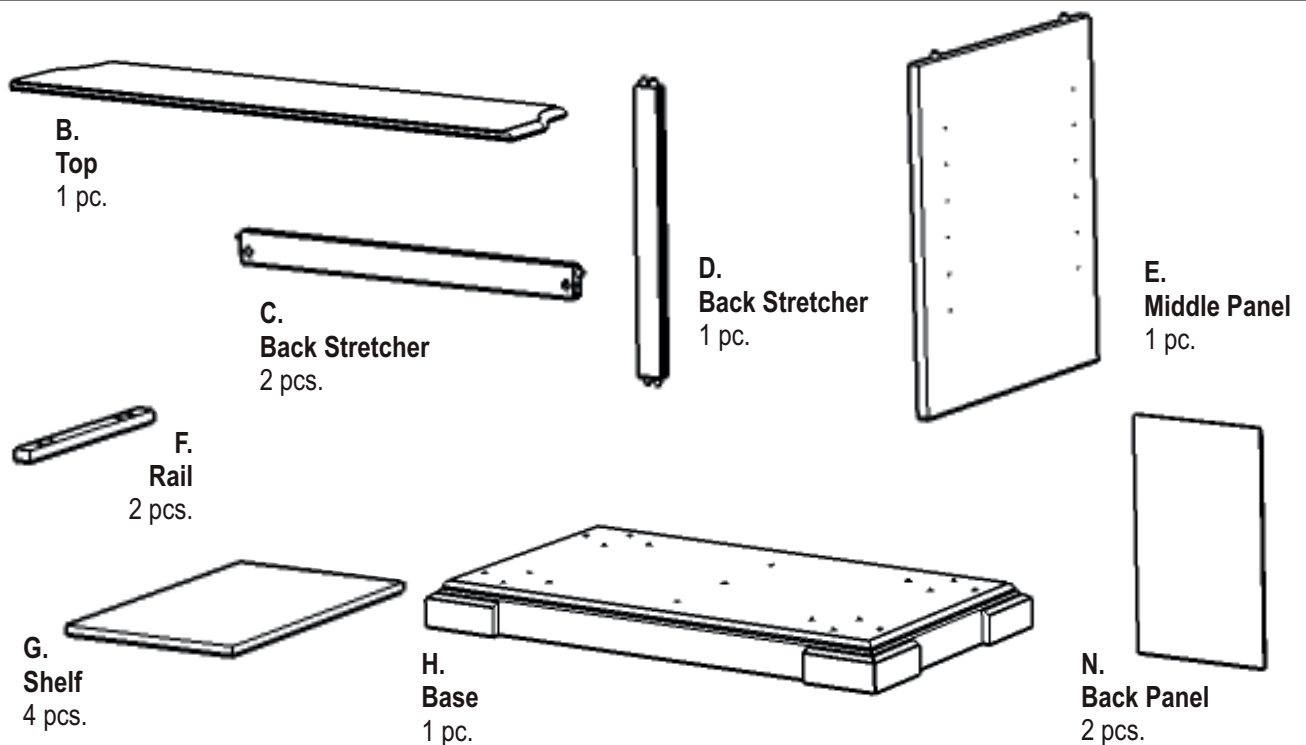
Carefully remove all the parts from the carton and put them individually on a soft cloth to prevent scratches or other damages occurring to the parts.

We have taken great care in the design of this product and request that you carefully and strictly follow our assembly instructions to ensure a completed product as it was designed.

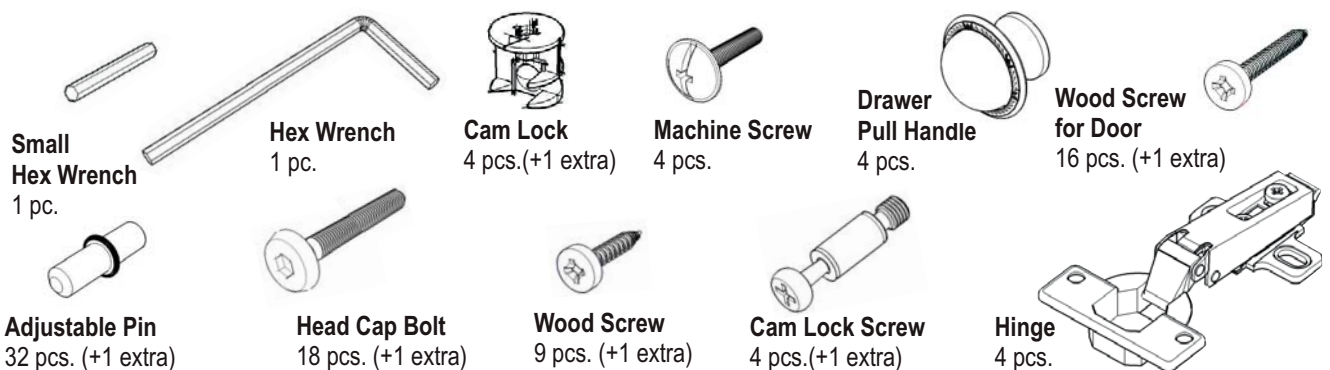
*Home
Styles*



Part List (in this carton)



Hardware List



For assembly see instructions in carton 88 5002 94DLX3

Tools required for assembly : Phillips screwdriver

Tools recommended for assembly : Level

Home Styles Consumer Assistance Line 888-680-7460 and 877-831-0319

servicedesk@homestyles-furniture.com

Revised date : 20Aug2012

88 5004 94DLX3 Deluxe Kitchen Island

IMPORTANT NOTE

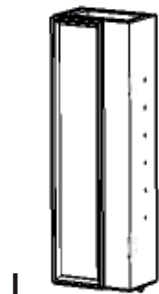
Carefully remove all the parts from the carton and put them individually on a soft cloth to prevent scratches or other damages occurring to the parts.

We have taken great care in the design of this product and request that you carefully and strictly follow our assembly instructions to ensure a completed product as it was designed.

*Home
Styles*



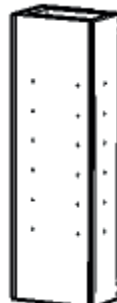
Part List (in this carton)



I.
Leg
1 pc.



J.
Leg
1 pc.



K.
Leg
1 pc.



L.
Leg
1 pc.



M.
Side Panel
2 pcs.



O.
Shelf
4 pcs.



P.
Door
1 pc.



Q.
Door
1 pc.

Also need the following from carton 88 5002 94DLX1, 88 5002 94DLX2

Part List in carton 88 5002 94DLX1

Top Unit (A)	1 pc.
Divider (A1)	4 pcs.

Part List in carton 88 5002 94DLX2

Top (B)	1 pc.
Back Stretcher (C)	2 pcs.
Back Stretcher (D)	1 pc.
Middle Panel (E)	1 pc.
Rail (F)	2 pcs.
Shelf (G)	4 pcs.
Base (H)	1 pc.
Back Panel (N)	2 pcs.

Hardware List in carton 88 5002 94DLX2

Hex Wrench	1 pc.
Small Hex Wrench	1 pc.
Cam Lock	5 pcs.
Cam Lock Screw	5 pcs.
Head Cap Bolt	19 pcs.
Adjustable Pin	33 pcs.
Machine Screw	4 pcs.
Drawer Pull Handle	4 pcs.
Wood Screw	10 pcs.
Wood Screw for Door	17 pcs.
Hinge	4 pcs.

Tools Required For Assembly : **Phillips** screwdriver

Tools recommended for assembly :Level

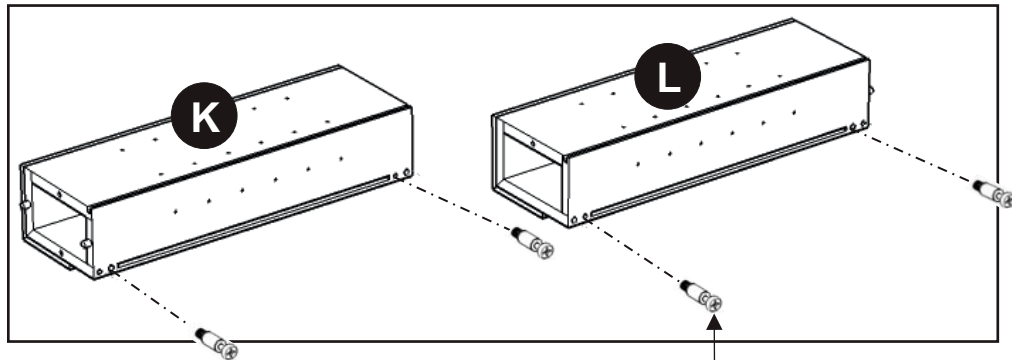
Home Styles Consumer Assistance Line 888-680-7460 and 877-831-0319

servicedesk@homestyles-furniture.com

Revised date : 20Aug2012

IMPORTANT

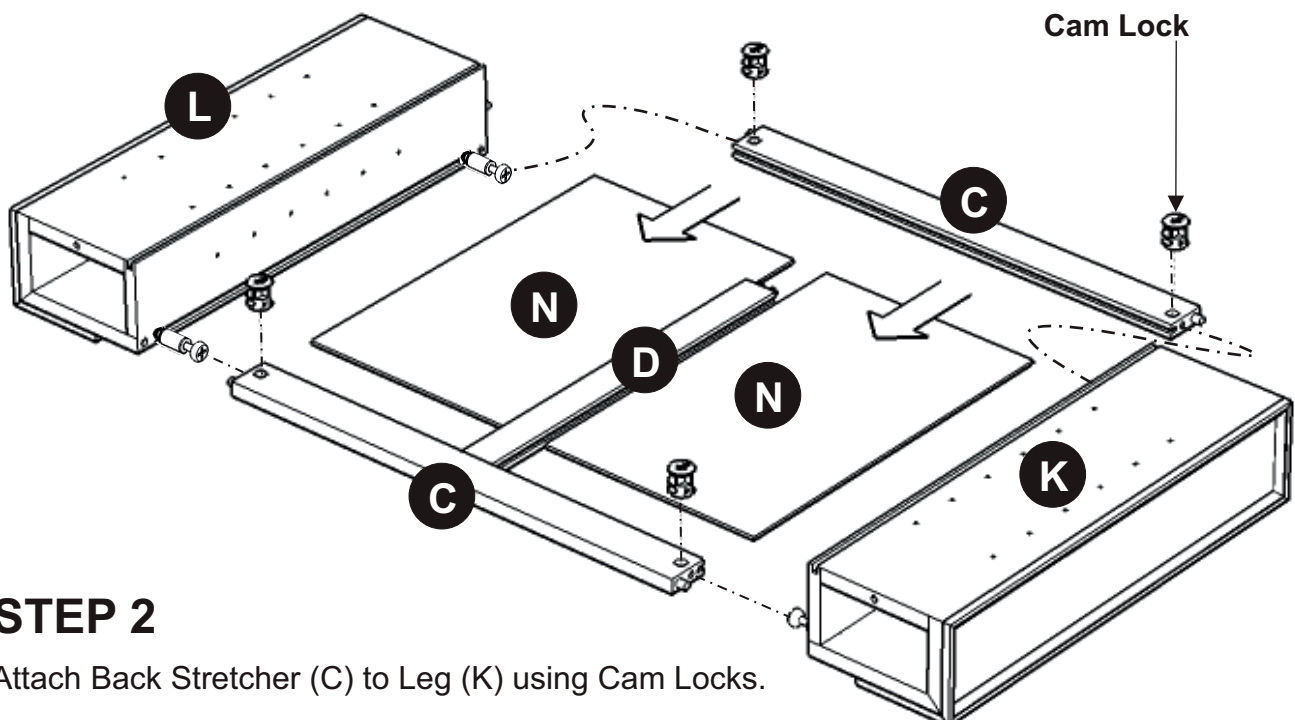
- * Do not tighten up all the screws until each part is properly assembled.
- * You should keep Hex Wrench in a safe place as you may need to tighten up the Head Cap Bolts in the future.
- * After assembly item must be level to work properly. Use the included adjustable levelers to level.



STEP 1

Cam Lock Screw

Put Cam Lock Screws into the pre-drilled holes of Leg (K),(L) and tighten.



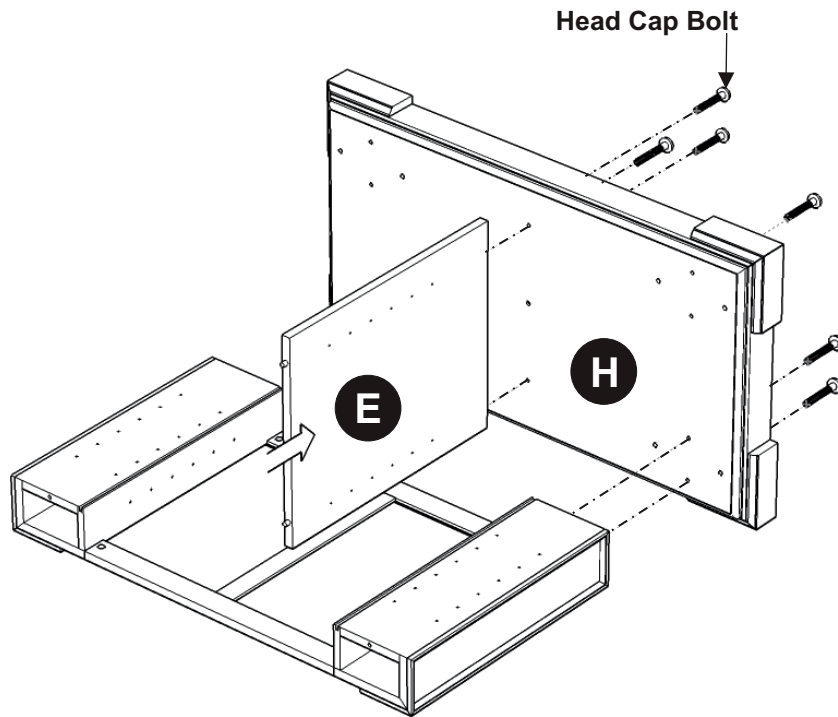
STEP 2

Attach Back Stretcher (C) to Leg (K) using Cam Locks.

Attach Back Stretcher (D) to Back Stretcher (C).

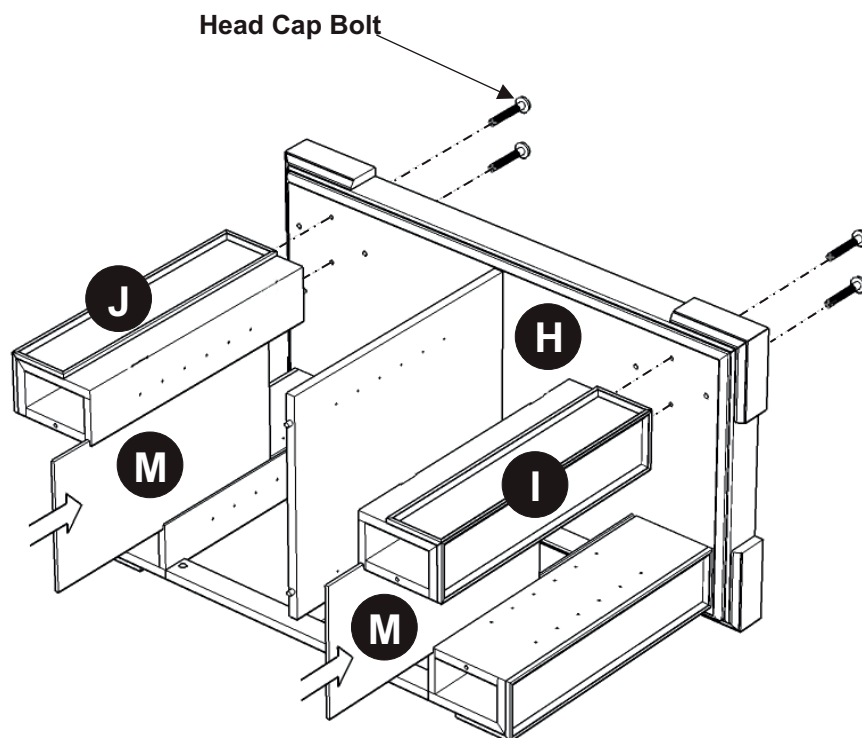
Slide Back Panel (N) to unit, then attach Back Stretcher (C) to unit using Cam Locks.

Attach Leg (L) to the unit using Cam Locks.



STEP 3

Attach unit from Step 2 and Middle Panel (E) to Base (H) with Head Cap Bolts.



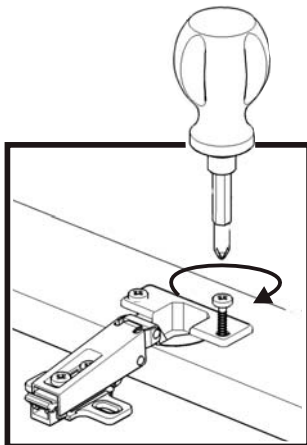
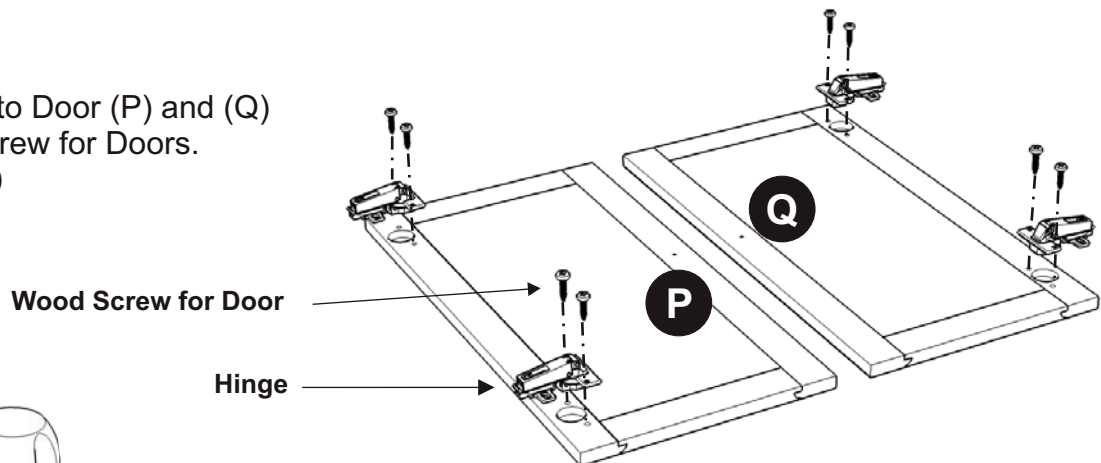
STEP 4

Attach Leg (I) and (J) to Base (H) with Head Cap Bolts.

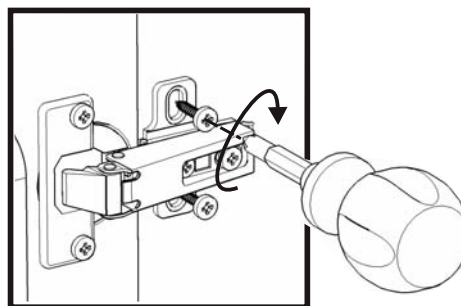
Slide Side Panels (M) into position.

STEP 5

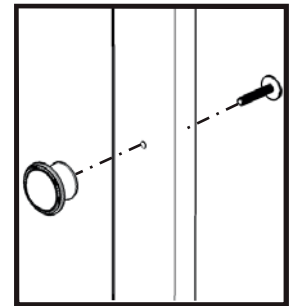
Attach Hinge to Door (P) and (Q) with Wood Screw for Doors. (see Figure 1)



(Figure 1)



(Figure 2)



(Figure 3)

STEP 6

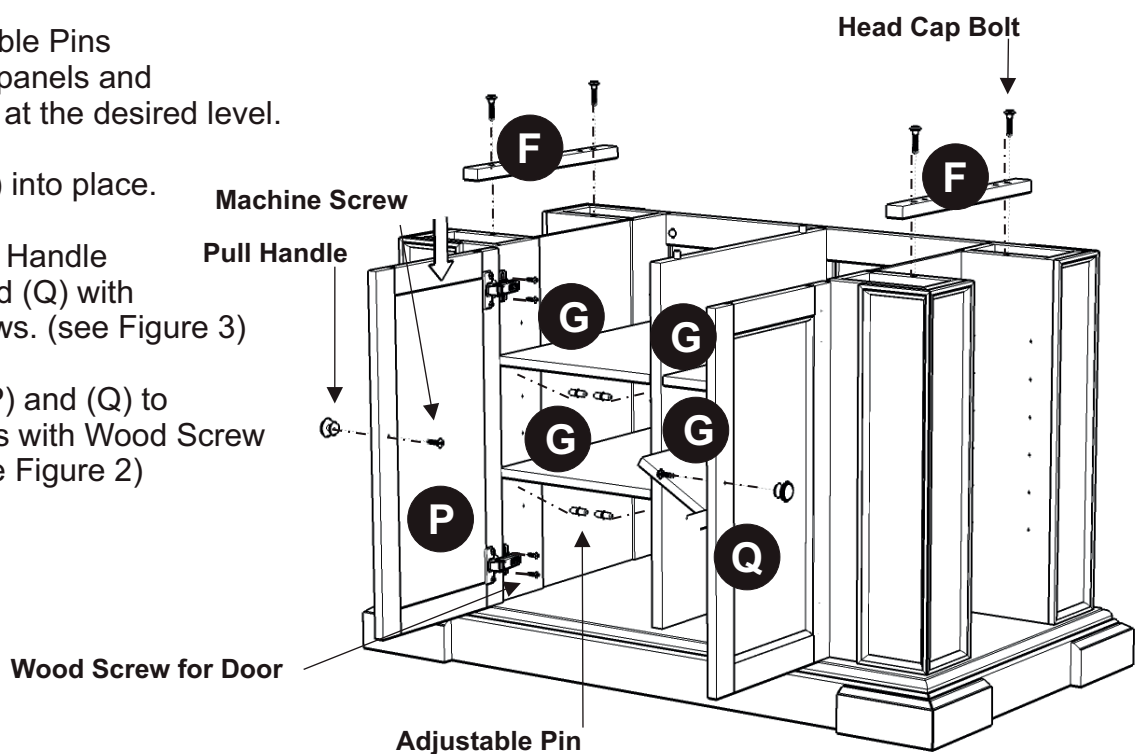
Attach Rail (F) to unit with Head Cap Bolts.

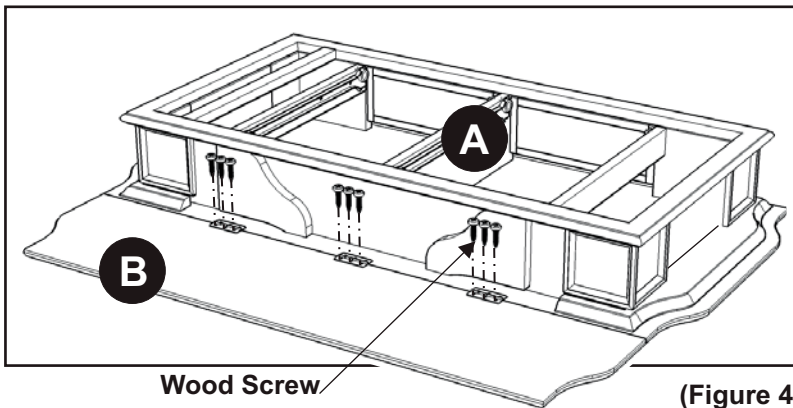
Insert Adjustable Pins Into both side panels and Middle Panels at the desired level.

Slide Shelf (G) into place.

Assemble Pull Handle to Door (P) and (Q) with Machine Screws. (see Figure 3)

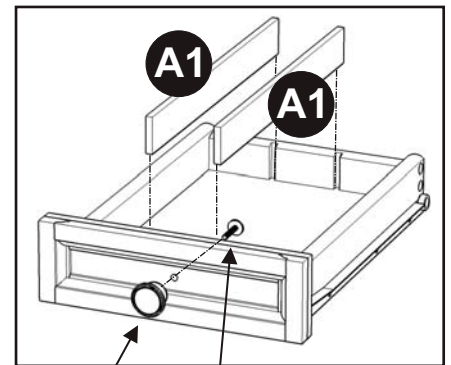
Attach Door (P) and (Q) to the side panels with Wood Screw for Doors. (see Figure 2)





Wood Screw

(Figure 4)



Pull Handle

(Figure 5)

Machine Screw

STEP 7

Attach Top (B) to Top Unit (A) with Wood Screws. (see Figure 4)

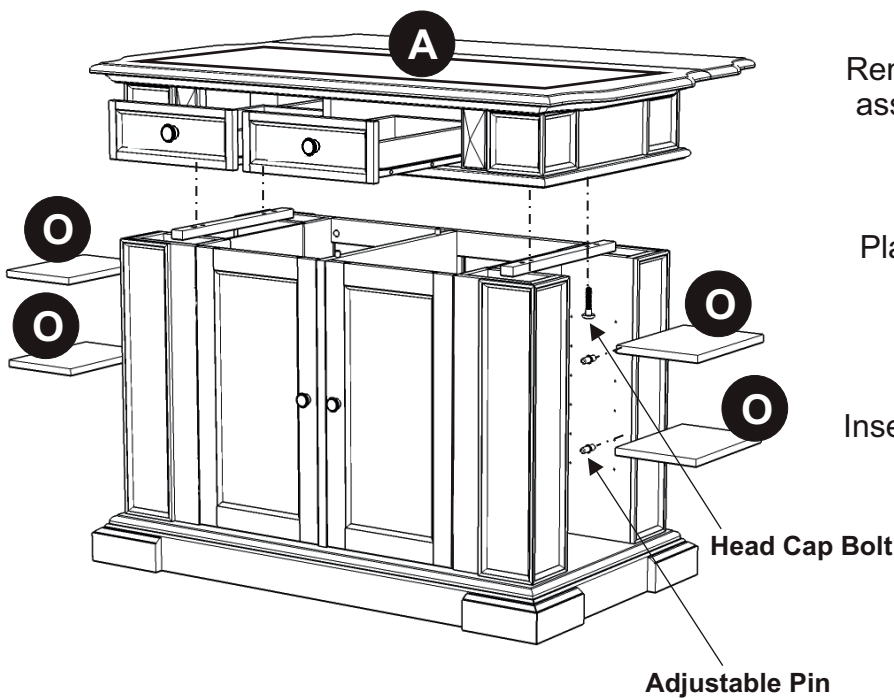
Remove the drawers in Top Unit (A), assemble Pull Handle with Machine Screws and Dividers (A1). (see Figure 5)

Place Top (A) on the unit with Head Cap Bolts.

Slide the drawers into position.

Insert Adjustable Pins Into both side panels at the desired level.

Slide Shelf (O) into Place.



Adjustable Pin

To level the unit, adjust the adjustable levelers on the bottom of unit. (see Figure 6)

Note : Unit must be level to work properly.

(Figure 6)

