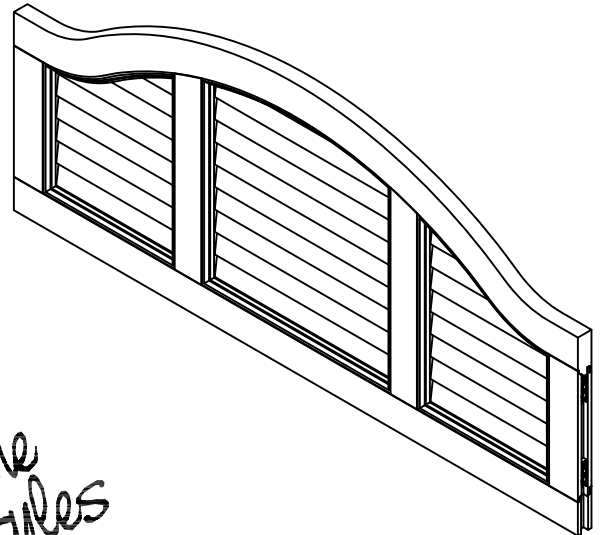


88 5542 5011

Bermuda Queen Headboard



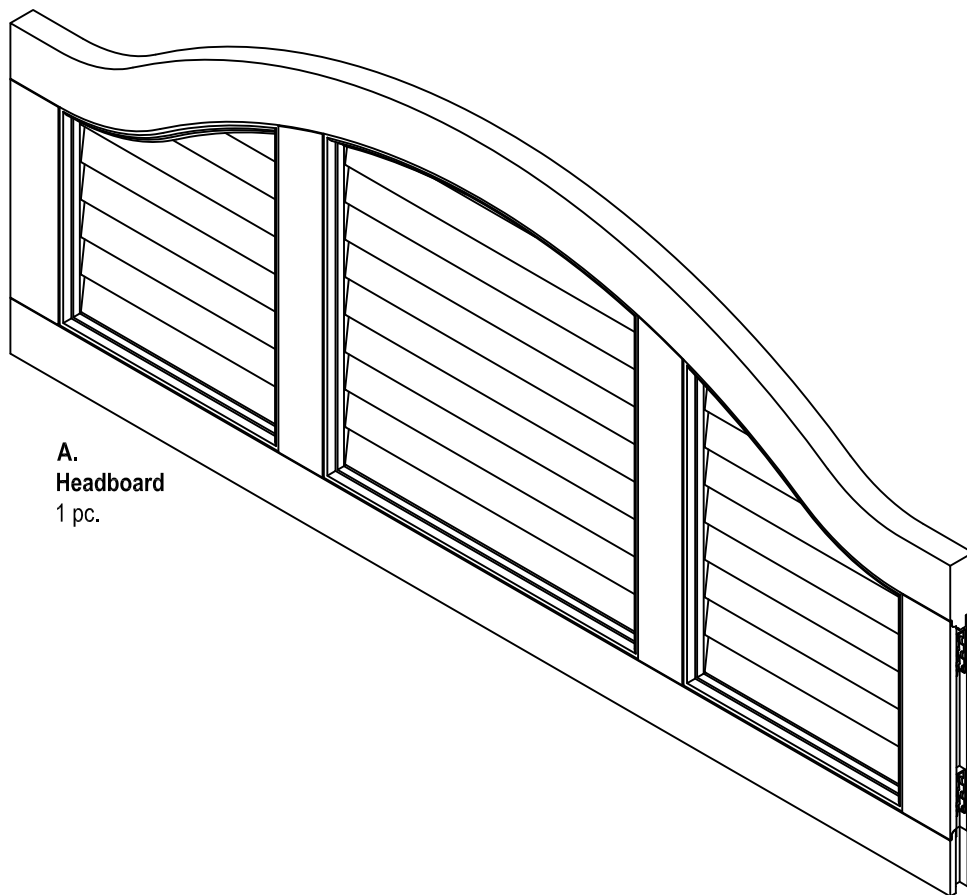
*Home
Styles*

IMPORTANT NOTE

Carefully remove all the parts from the carton and put them individually on a soft cloth to prevent scratches or other damages occurring to the parts.

We have taken great care in the design of this product and request that you carefully and strictly follow our assembly instructions to ensure a completed product as it was designed.

Part List



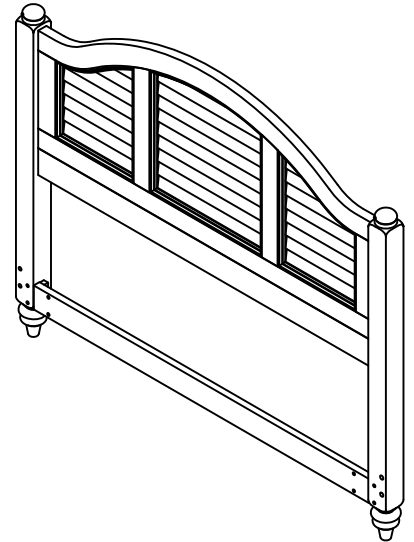
A.
Headboard
1 pc.

For assembly see instructions in carton 88 5542 5012

Home Styles Consumer Assistance Line 888-680-7460 and 877-831-0319
servicedesk@homestyles-furniture.com

88 5542 5012

Bermuda Queen Headboard



Home Styles

IMPORTANT NOTE

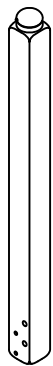
Carefully remove all the parts from the carton and put them individually on a soft cloth to prevent scratches or other damages occurring to the parts.

We have taken great care in the design of this product and request that you carefully and strictly follow our assembly instructions to ensure a completed product as it was designed.

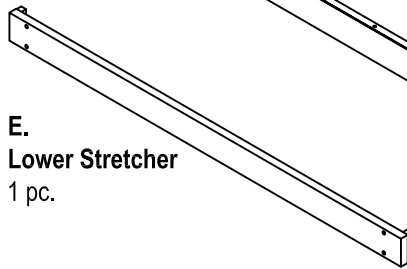
Part List



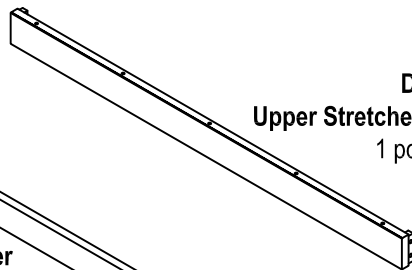
B. Post
1 pc.



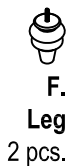
C. Post
1 pc.



E. Lower Stretcher
1 pc.



D. Upper Stretcher
1 pc.



F. Leg
2 pcs.

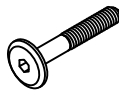
Hardware List



Cam Lock Screw
5 pcs. (+1 extra)



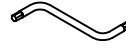
Cam Lock
5 pcs. (+1 extra)



Bolt
8 pcs. (+1 extra)



Flat Washer
8 pcs. (+1 extra)



Key Wrench
1 pc.

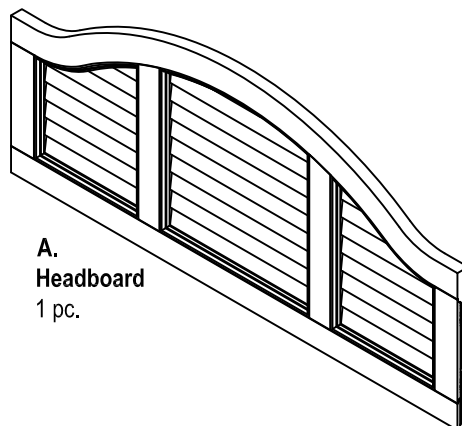


Small Key Wrench
1 pc.

For assembly also need the following :

88 5542 5011 Bermuda Queen Headboard Panel

Carton quantity: 1



A. Headboard
1 pc.

Home Styles Consumer Assistance Line 888-680-7460 and 877-831-0319
servicedesk@homestyles-furniture.com

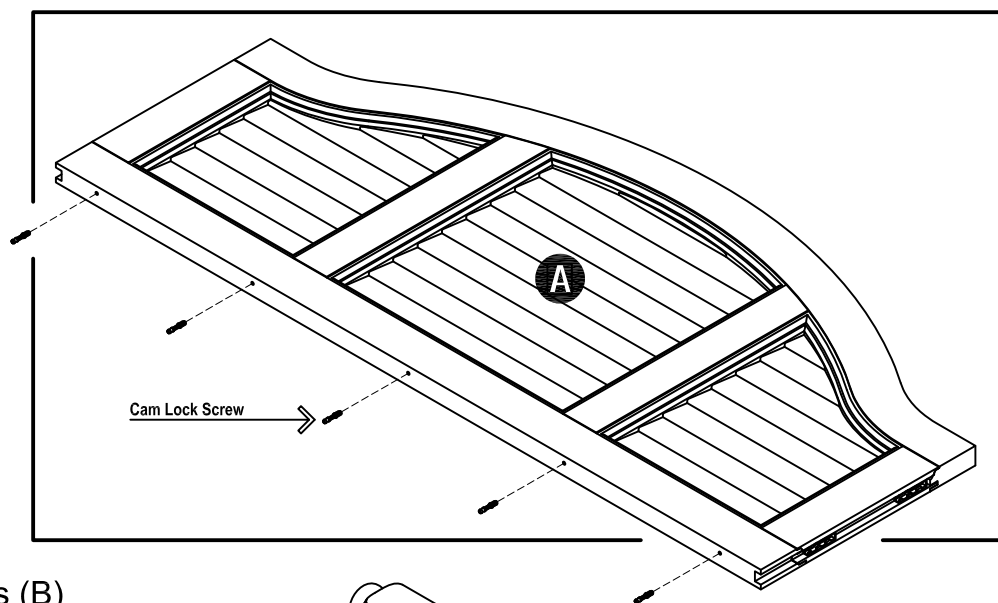
Assembly Instructions 2/3

IMPORTANT

- * Do not tighten up all the bolts until each part is properly assembled.
- * You should keep Key Wrench in a safe place as you may need to tighten up the bolts in the future.

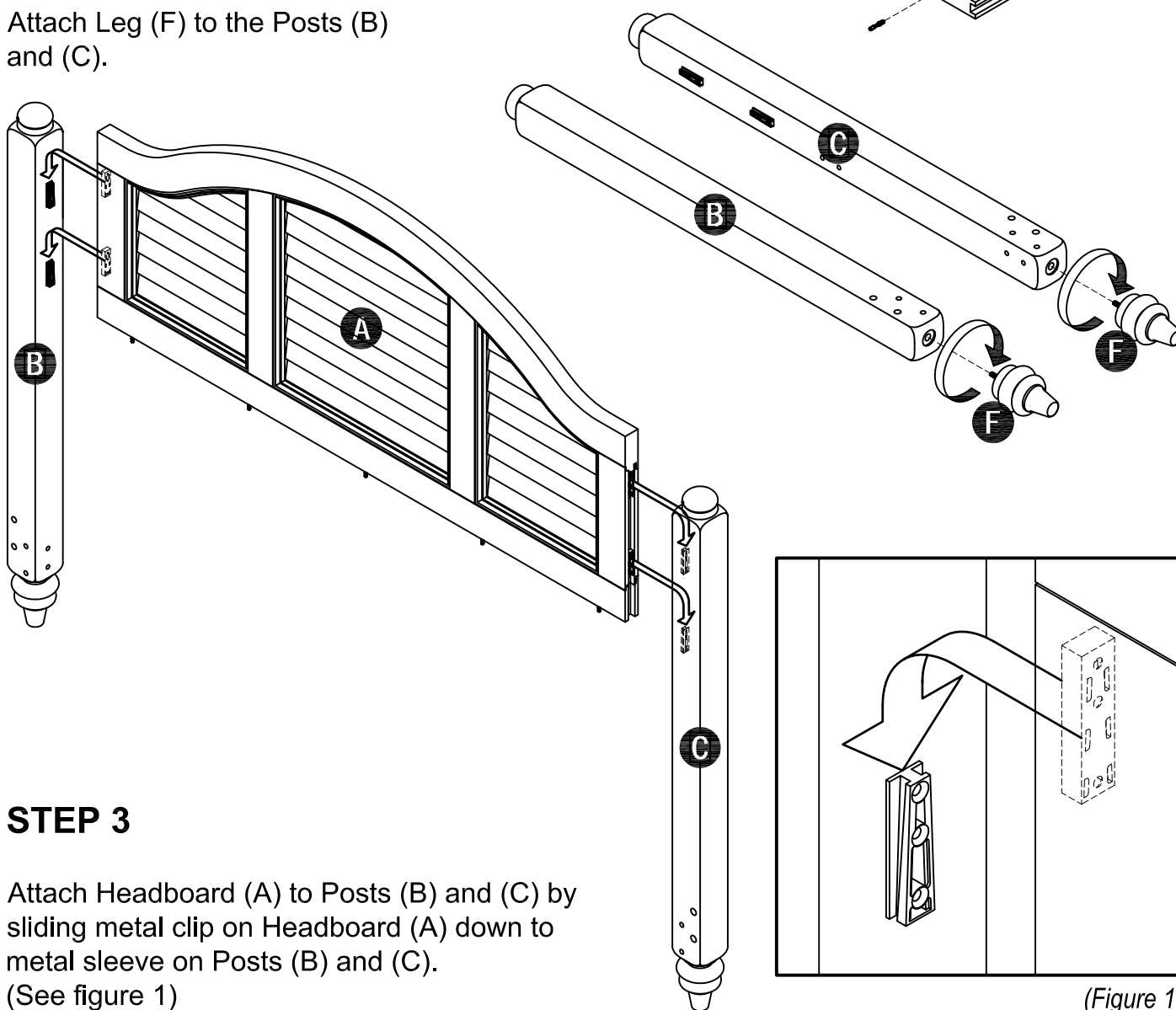
STEP 1

Insert Cam Lock Screws into the pre-drilled holes of Headboard (A).



STEP 2

Attach Leg (F) to the Posts (B) and (C).



STEP 3

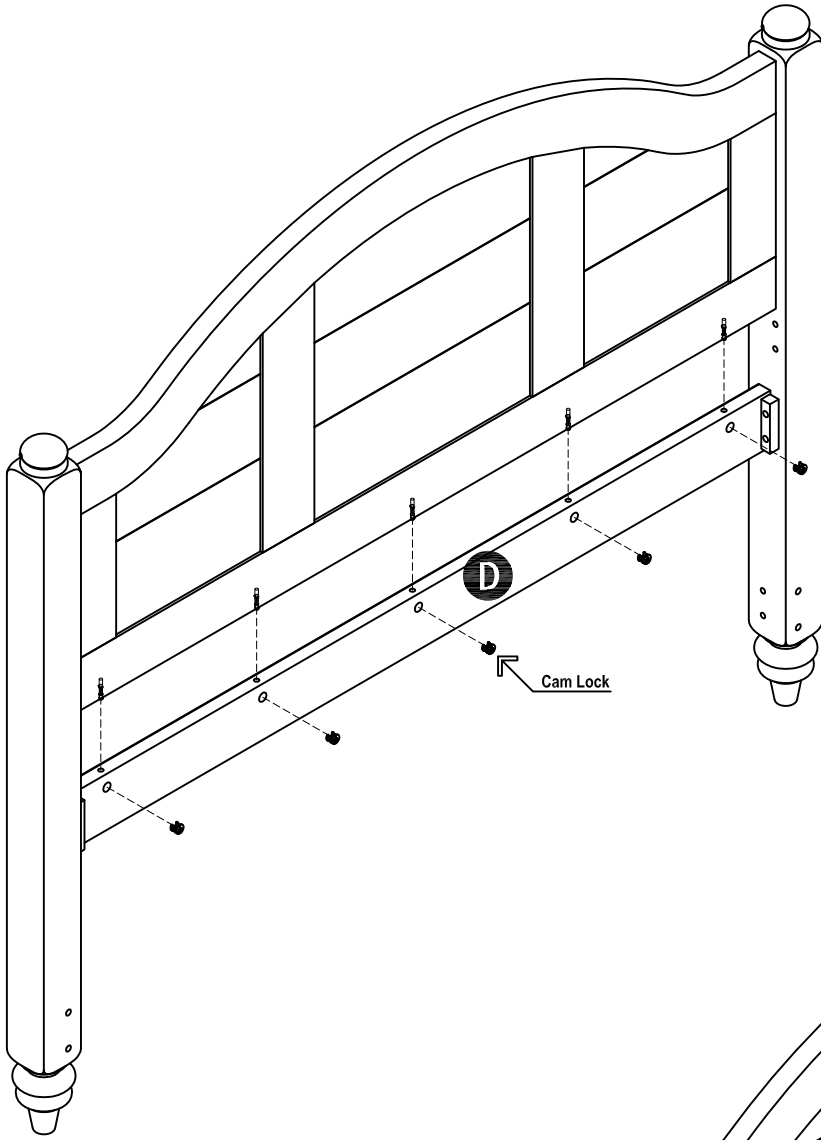
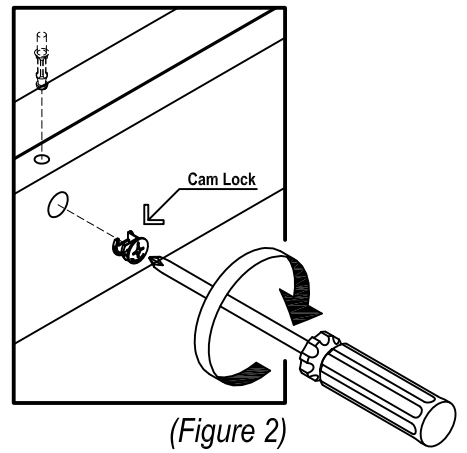
Attach Headboard (A) to Posts (B) and (C) by sliding metal clip on Headboard (A) down to metal sleeve on Posts (B) and (C).
(See figure 1)

(Figure 1)

Assembly Instructions 3/3

STEP 4

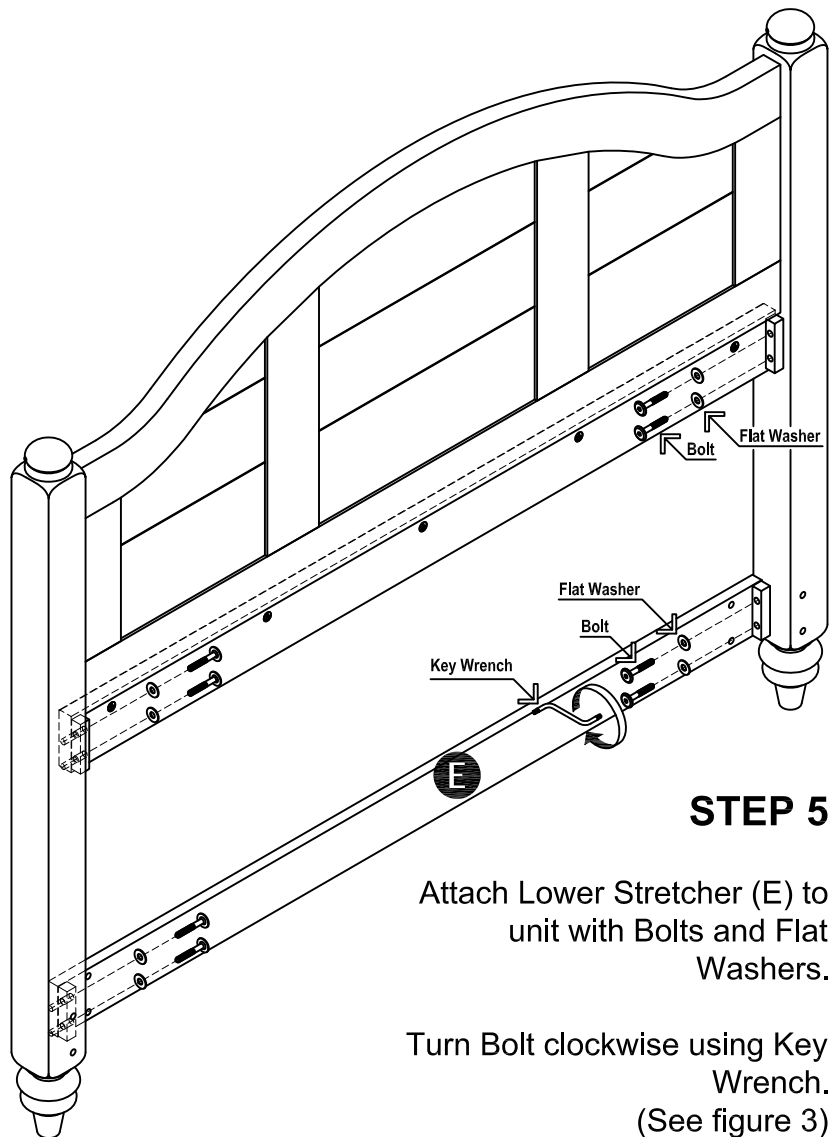
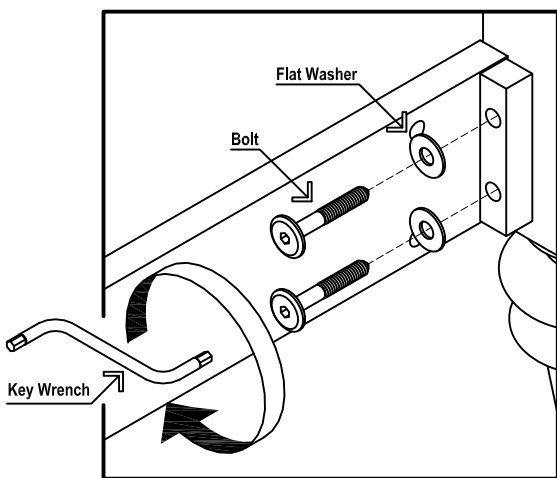
Attach Upper Stretcher (D) to unit using Cam Locks.
(See figure 2)



STEP 5

Attach Lower Stretcher (E) to unit with Bolts and Flat Washers.

Turn Bolt clockwise using Key Wrench.
(See figure 3)



VERY IMPORTANT !!

CARE INSTRUCTIONS

NEVER

USE GLASS CLEANERS ON FINISHED FURNITURE. AMMONIA WILL CHEMICALLY ATTACK THE LACQUER.

NEVER

ALLOW LIQUIDS OF ANY KIND TO REMAIN ON THE FURNITURE. ABSORPTION CAUSES WOOD TO WARP AND SPLIT AND FINISHES TO DELAMINATE.

DO NOT WRITE DIRECTLY ON SURFACE.



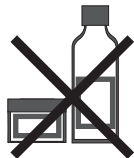
PREVENT MARKING

DO NOT PLACE IN DIRECT SUNLIGHT.



PREVENT FADING

DO NOT USE COMMERCIAL WAXES AND POLISHES.



PREVENT YELLOWING

DO NOT PLACE HOT OBJECTS ON SURFACE.



PREVENT FINISH DAMAGE

DO NOT USE RUBBER BASED PLACE MATS.



PREVENT DISCOLORING

TO CLEAN

USE A SOFT CLOTH MOISTENED IN LEMON OIL POLISH OR LUKEWARM SOAP AND WATER, THEN BUFF WITH A DRY CLEAN CLOTH.

