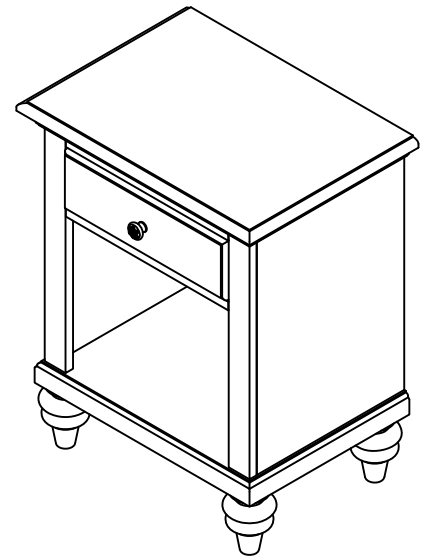


88 5543 42 Bermuda Night Stand



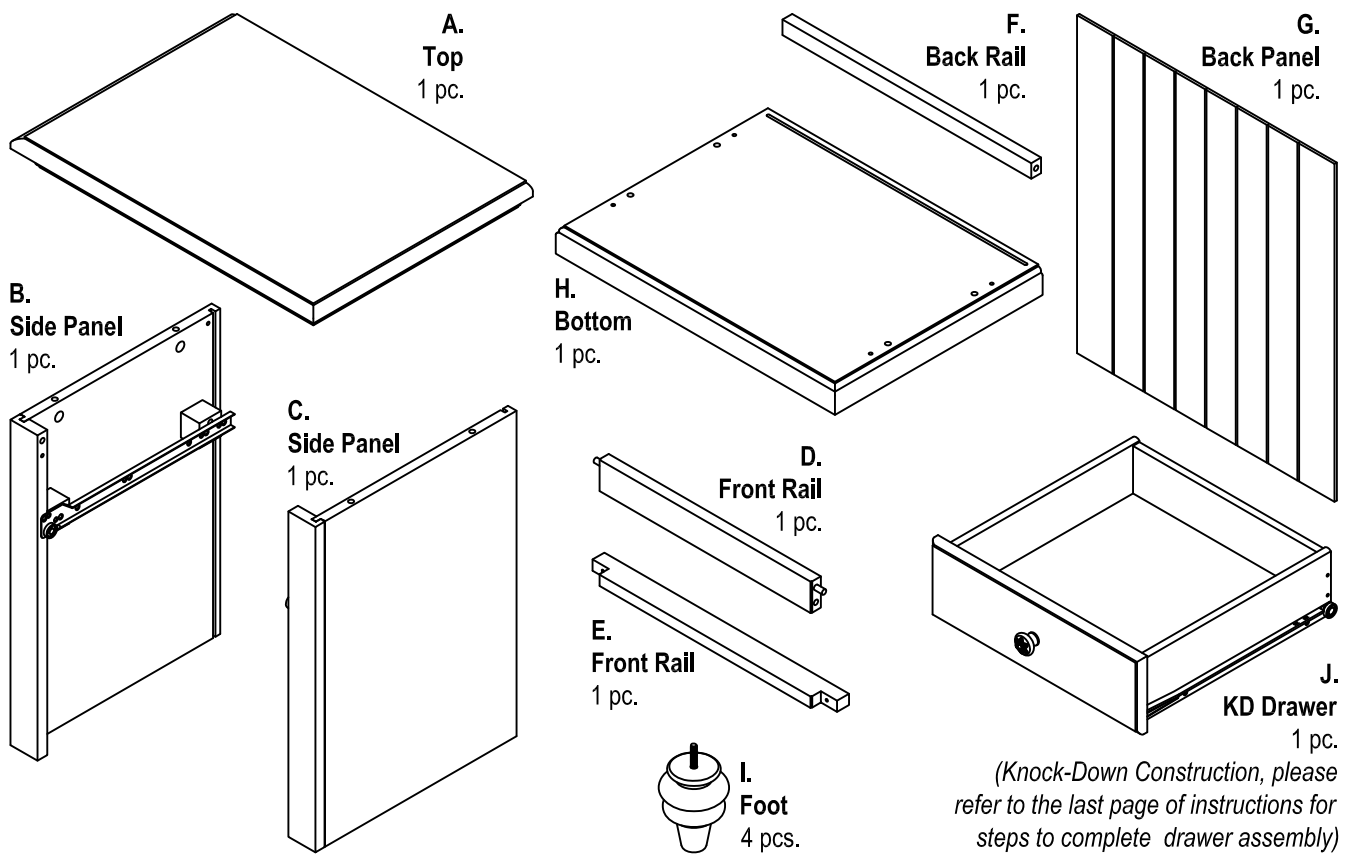
Home
Styles

IMPORTANT NOTE

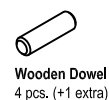
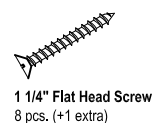
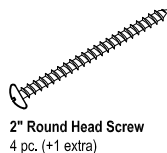
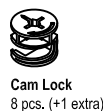
Carefully remove all the parts from the carton and put them individually on a soft cloth to prevent scratches or other damages occurring to the parts.

We have taken great care in the design of this product and request that you carefully and strictly follow our assembly instructions to ensure a completed product as it was designed.

Part List



Hardware List



Tools Required For Assembly : Phillips screwdriver

Home Styles Consumer Assistance Line 888-680-7460 and 877-831-0319
servicedesk@homestyles-furniture.com

Assembly Instructions 2/6

IMPORTANT

* Use a soft cloth between these parts and the floor.

STEP 1

Insert Cam Lock Screws into the pre-drilled holes of Top (A), Side Panel (B) and (C).

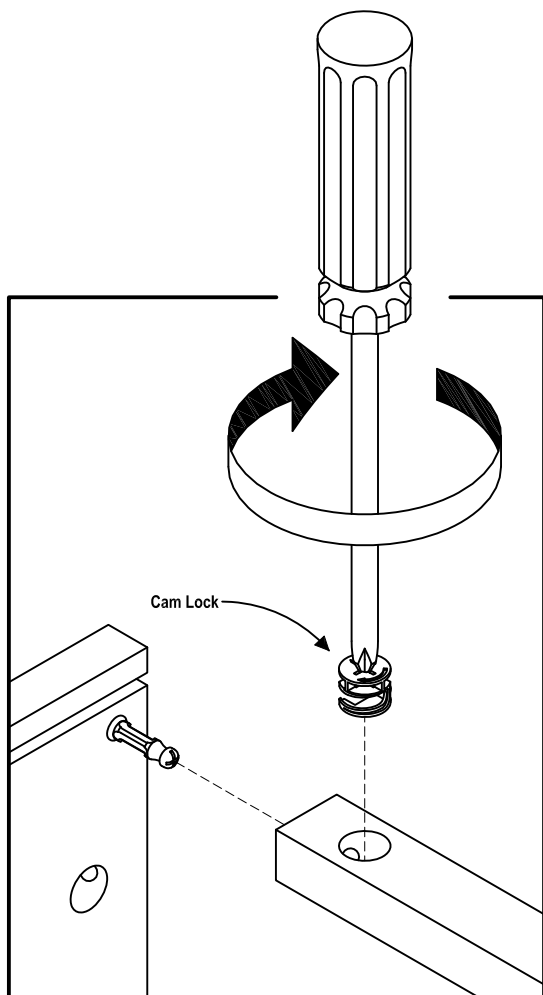
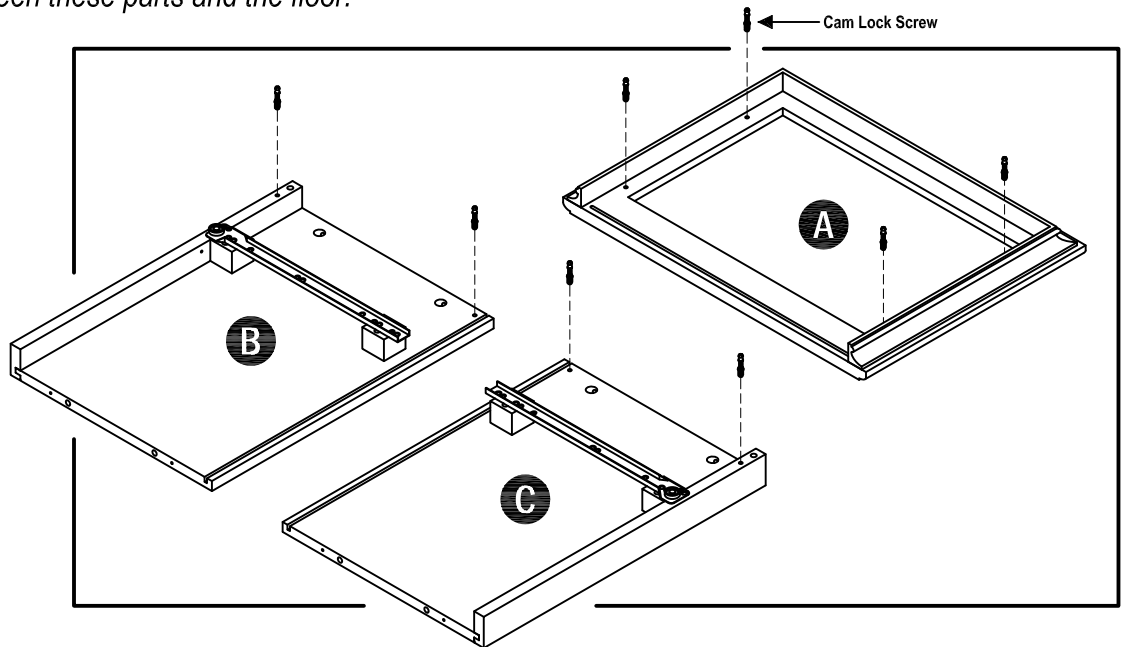
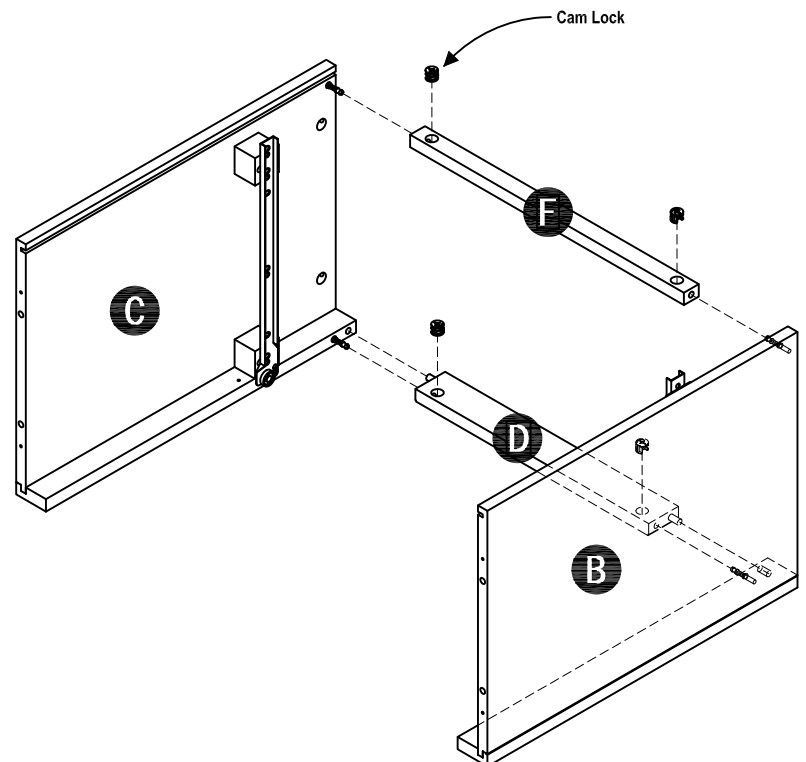


Figure 1



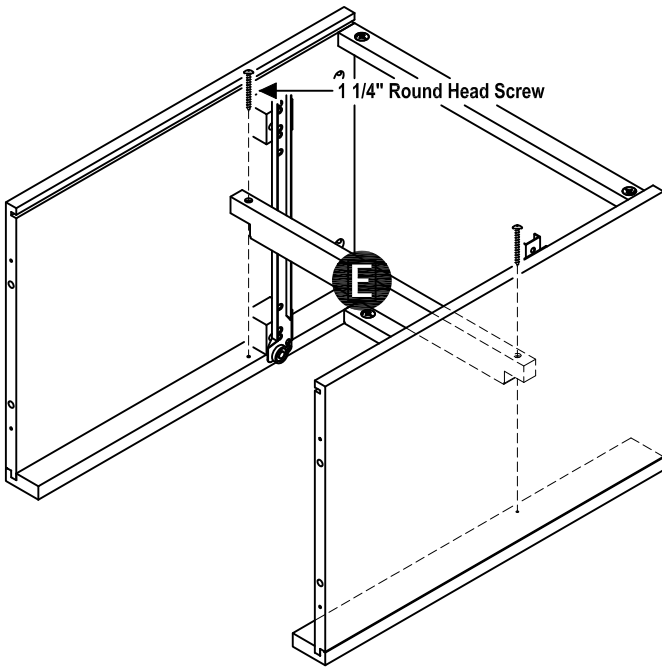
STEP 2

Attach Front Rail (D) and Back Rail (F) to Side Panels (B) and (C) with Cam Locks. (see Figure 1).

Assembly Instructions 3/6

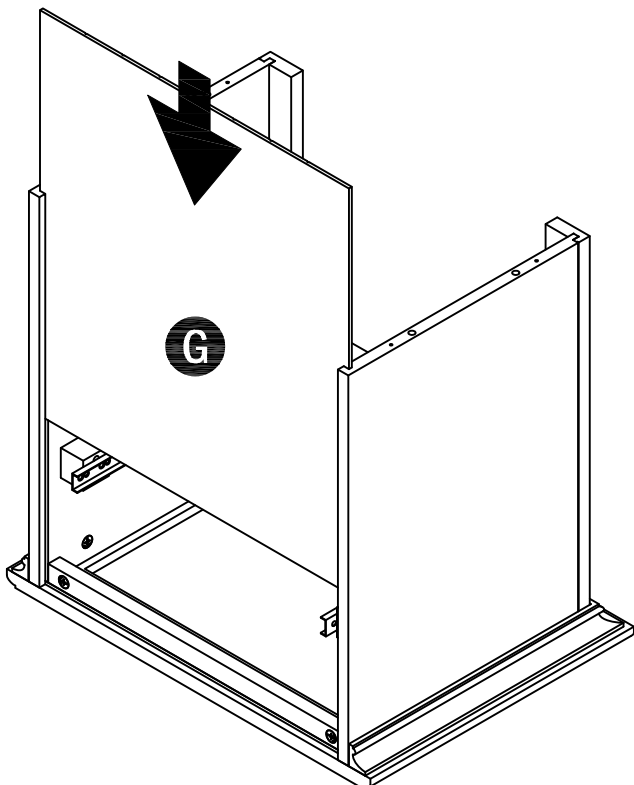
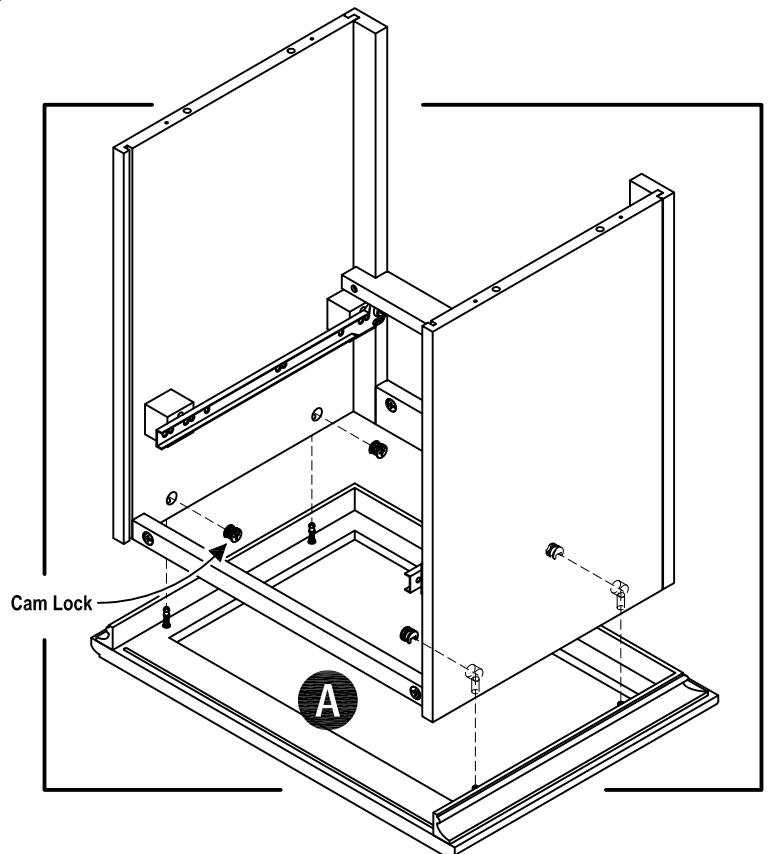
STEP 3

Attach Front Rail (E) to unit using 1 1/4" Round Head Screw.



STEP 4

Attach Top (A) to unit using Cam Locks.



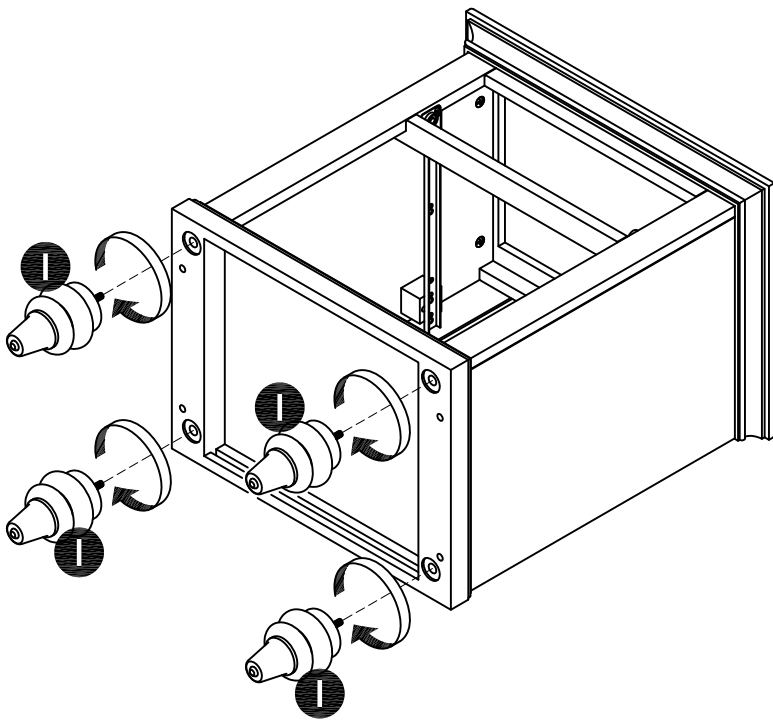
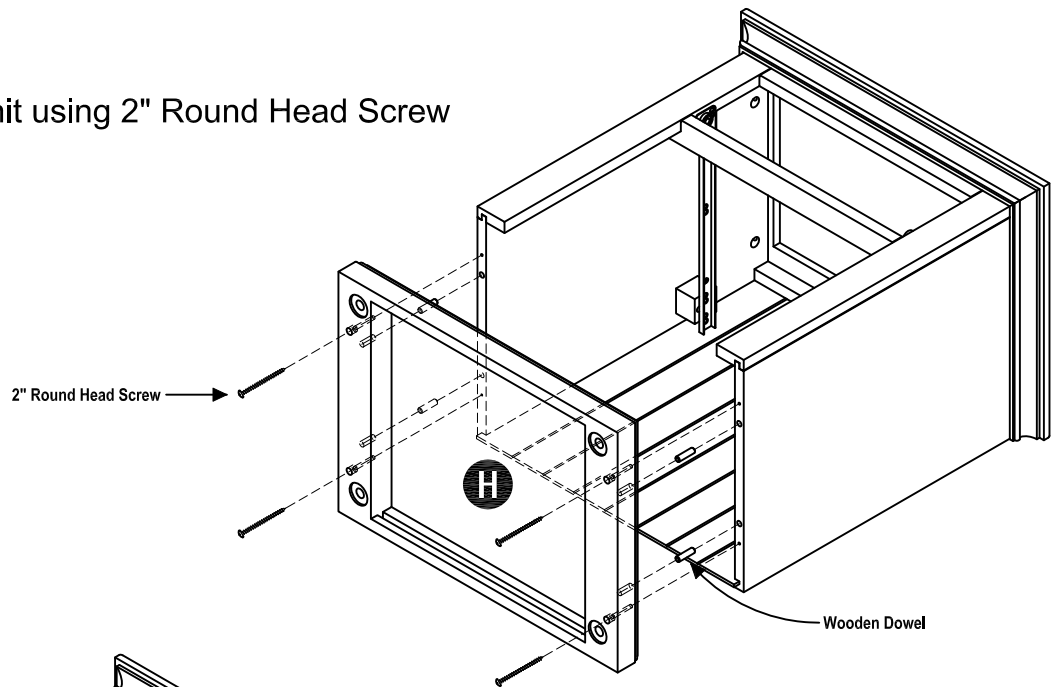
STEP 5

Slide Back Panel (G) to unit .

Assembly Instructions 4/6

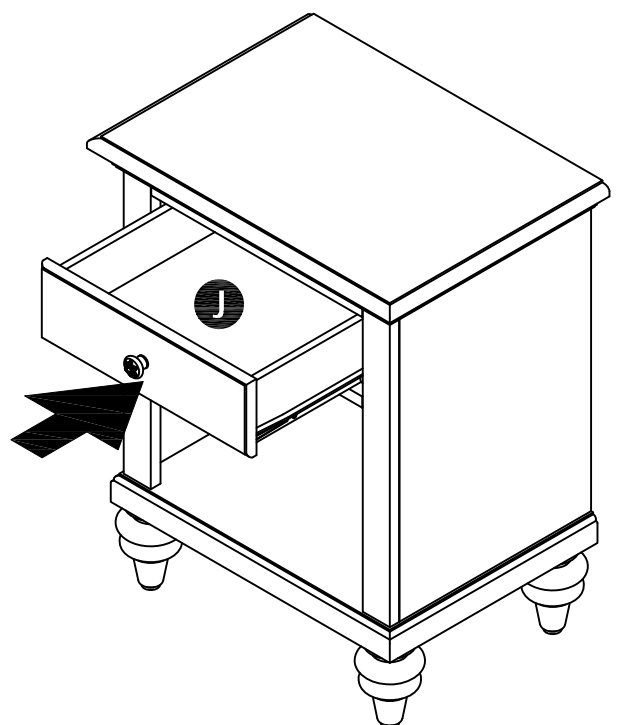
STEP 6

Attach Bottom (H) to unit using 2" Round Head Screw and Wooden Dowels.



STEP 7

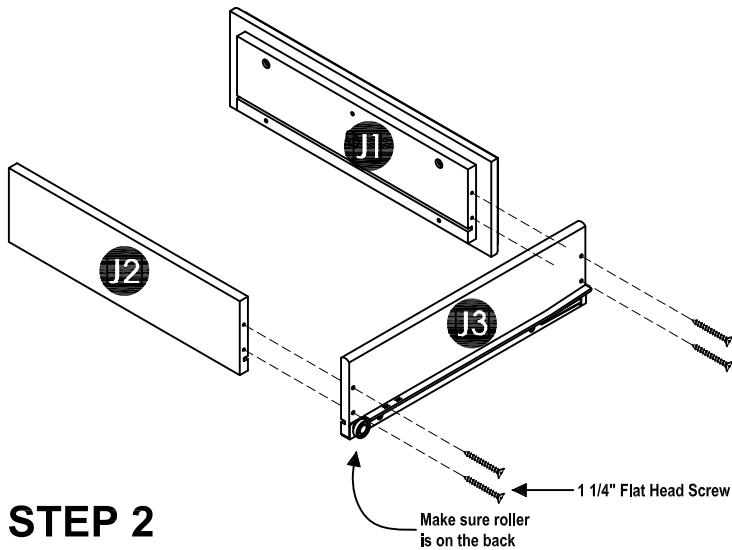
Attach Feet (I) to unit.



STEP 8

Slide Drawer (J) into place.

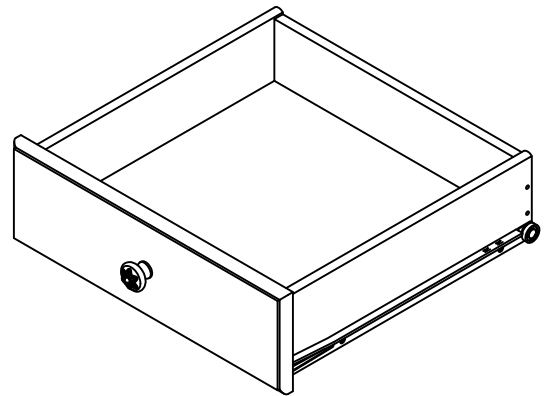
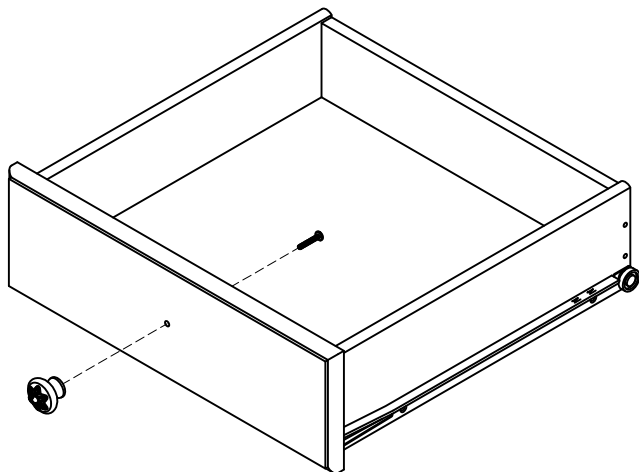
Drawer (J)



STEP 2

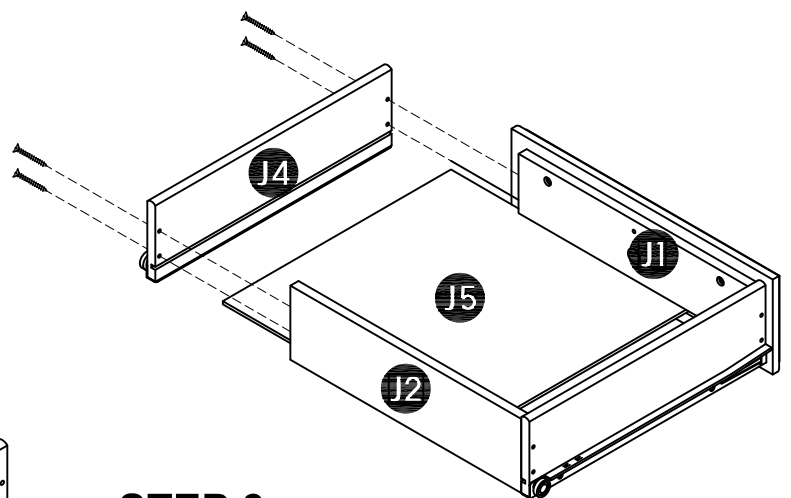
Insert Base Part (J5) into the groove.

Attach Side Part (J4) to Front Part (J1) and Back Part (J2) using a Phillips screwdriver and 1 1/4" Flat Head Screws.



STEP 1

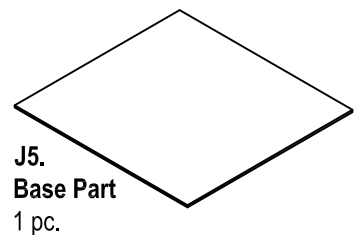
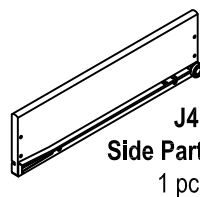
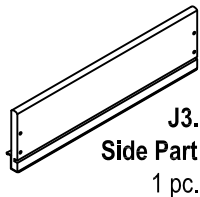
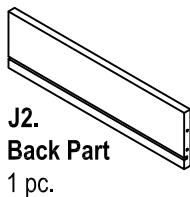
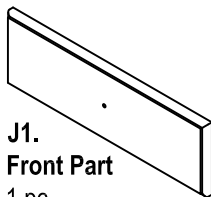
Attach Side Part (J3) to Front Part (J1) and Back Part (J2) using a Phillips screwdriver and 1 1/4" Flat Head Screws.



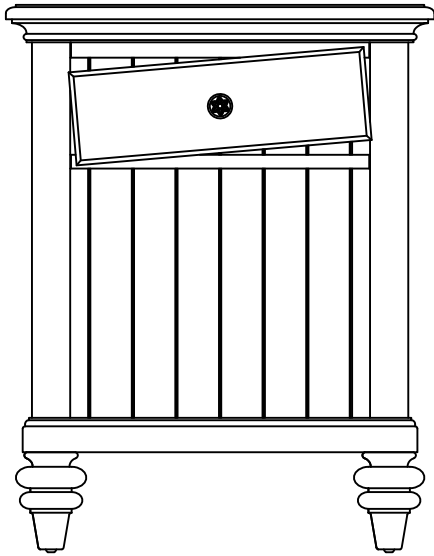
STEP 3

Attach Handle with Machine Screws.

Part List



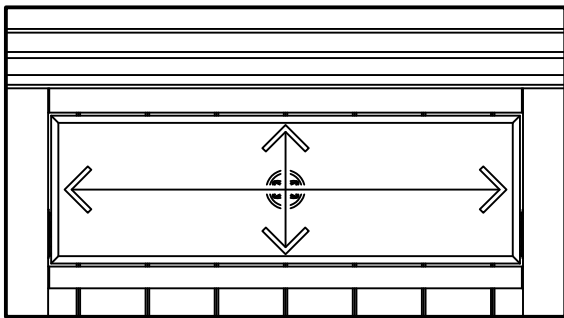
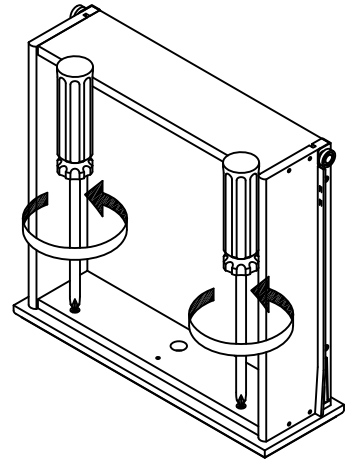
Assembly Instructions 6/6



I. IF A DRAWER DOES NOT ALIGN

STEP 1

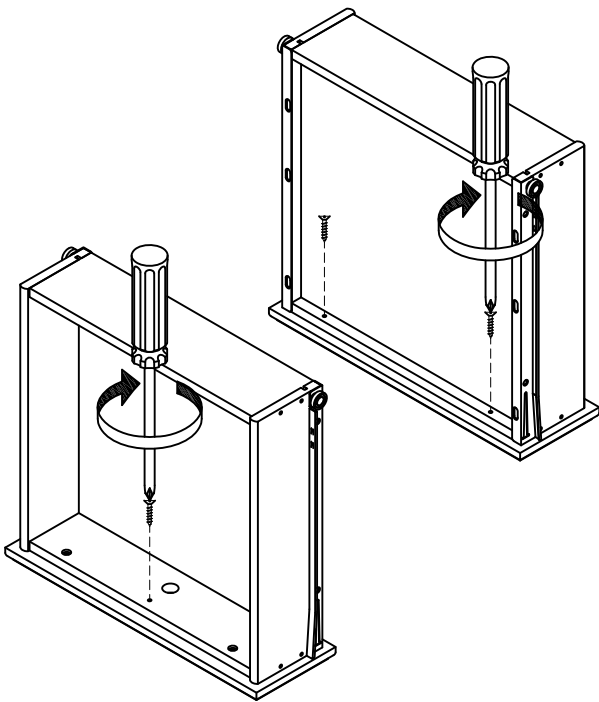
Loosen slightly the upper screws.



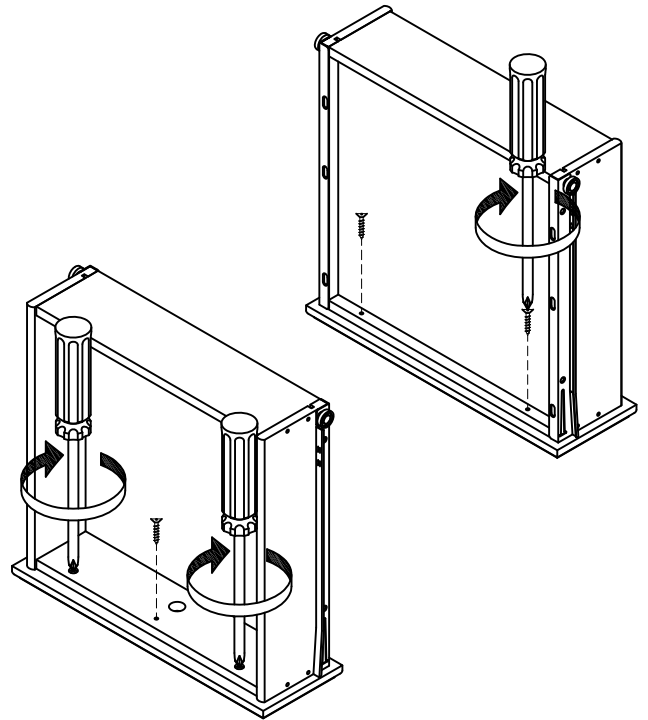
STEP 2

Insert the drawer into the main body, then adjust the drawer front panel left or right and up or down, until the drawer gaps look proportional.

II. IF A DRAWER ALREADY ALIGNS



Pull out drawer slowly. Lock the drawer front panel into position with 3/4" Flat Head Screws.



STEP 3

Pull the drawer open slowly and tighten the upper screws. Make sure the front panel does not move and lock the drawer front panel into position with 3/4" Flat Head Screws.

VERY IMPORTANT !!

CARE INSTRUCTIONS

NEVER

USE GLASS CLEANERS ON FINISHED FURNITURE. AMMONIA WILL CHEMICALLY ATTACK THE LACQUER.

NEVER

ALLOW LIQUIDS OF ANY KIND TO REMAIN ON THE FURNITURE. ABSORPTION CAUSES WOOD TO WARP AND SPLIT AND FINISHES TO DELAMINATE.

DO NOT WRITE DIRECTLY ON SURFACE.



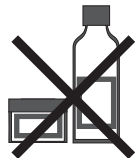
PREVENT MARKING

DO NOT PLACE IN DIRECT SUNLIGHT.



PREVENT FADING

DO NOT USE COMMERCIAL WAXES AND POLISHES.



PREVENT YELLOWING

DO NOT PLACE HOT OBJECTS ON SURFACE.



PREVENT FINISH DAMAGE

DO NOT USE RUBBER BASED PLACE MATS.



PREVENT DISCOLORING

TO CLEAN

USE A SOFT CLOTH MOISTENED IN LEMON OIL POLISH OR LUKEWARM SOAP AND WATER, THEN BUFF WITH A DRY CLEAN CLOTH.

