

88 5544 42

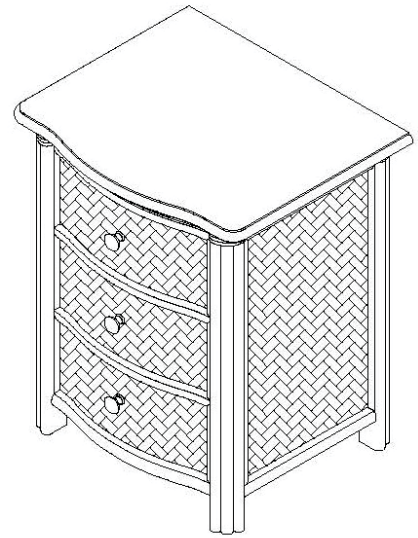
Marco Island Night Stand

IMPORTANT NOTE

Carefully remove all the parts from the carton and put them individually on a soft cloth to prevent scratches or other damages occurring to the wood parts.

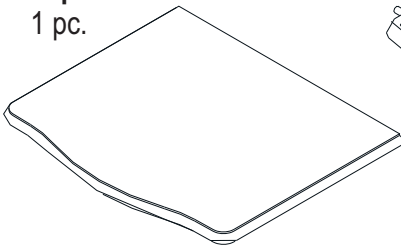
We have taken great care in the design of this product and request that you carefully and strictly follow our assembly instructions to ensure a completed product as it was designed.

Home
Styles

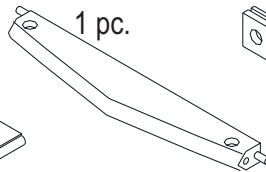


Part List

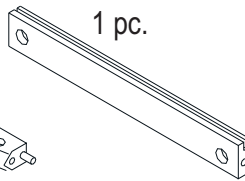
A.
Top
1 pc.



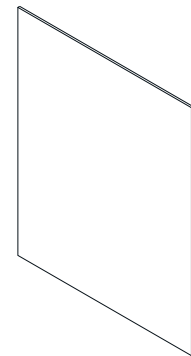
E.
Front rail
1 pc.



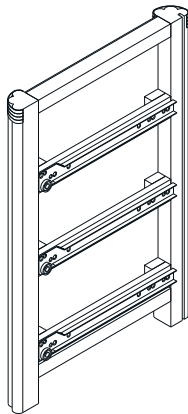
F.
Back rail
1 pc.



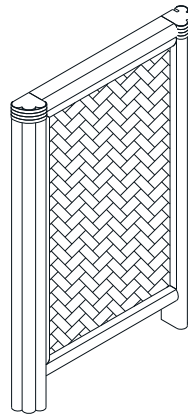
G.
Back Panel
1 pc.



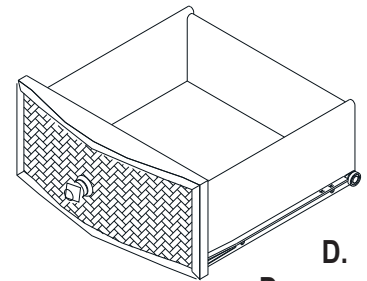
B.
Side Panel
1 pc.



C.
Side Panel
1 pc.



D.
Drawer
3 pcs.

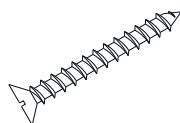


(Knock-Down Construction, please refer to the last page of instructions for steps to complete drawer assembly)

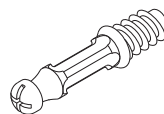
Hardware List



1 1/2" Round Head Screw
3 pcs.(+1 extra)



1 1/4" Flat Head Screw
24 pcs.(+1 extra)



Cam Lock Screw
8 pcs.(+1 extra)



Cam Lock
8 pcs.(+4 extra)



Pull Handle
3 pcs.

Tools required for assembly : **Phillips** screwdriver

Home Styles Consumer Assistance: www.homestyles-furniture.com,
servicedesk@homestyles-furniture.com, 888-680-7460, 877-831-0319

Assembly Instructions 2/5

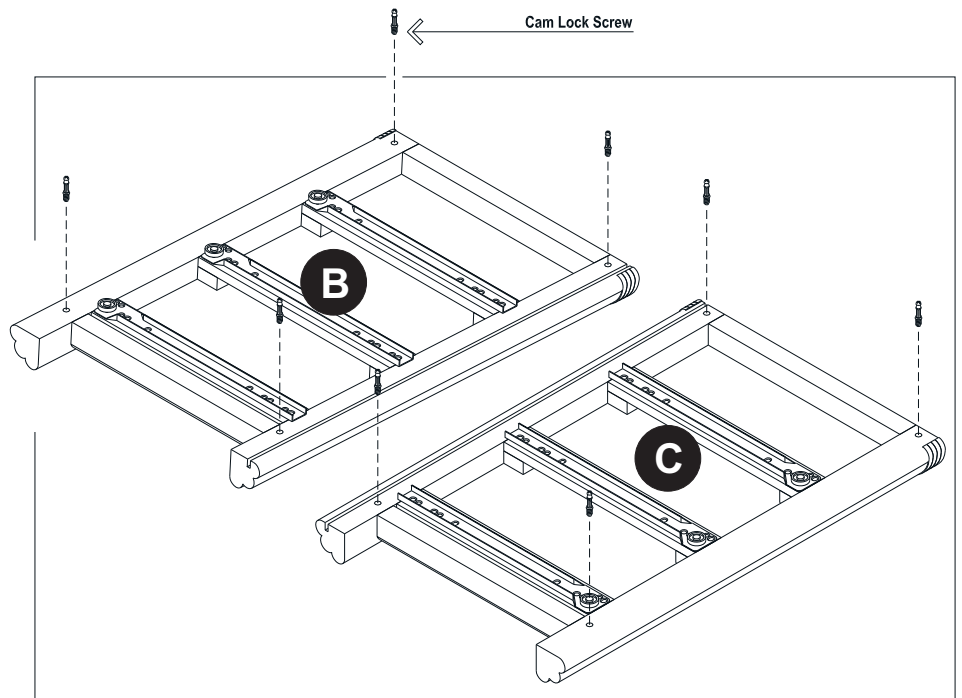
IMPORTANT

* Do not tighten up all the screws until each part is properly assembled.

* Use a soft cloth between these parts and the floor.

STEP 1

Insert Cam Lock Screws into the pre-drilled holes of Side Panels (B) and (C).



STEP 2

Attach Front Piece (E) and Back Piece (F) to Side Panel (B) with Cam Locks.

(See Figure 1)

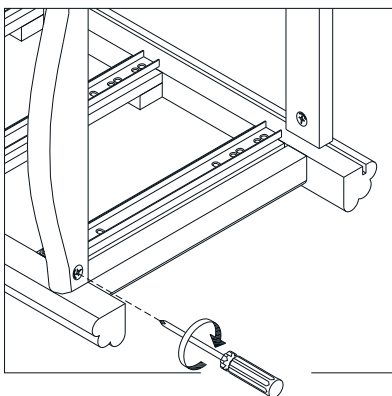
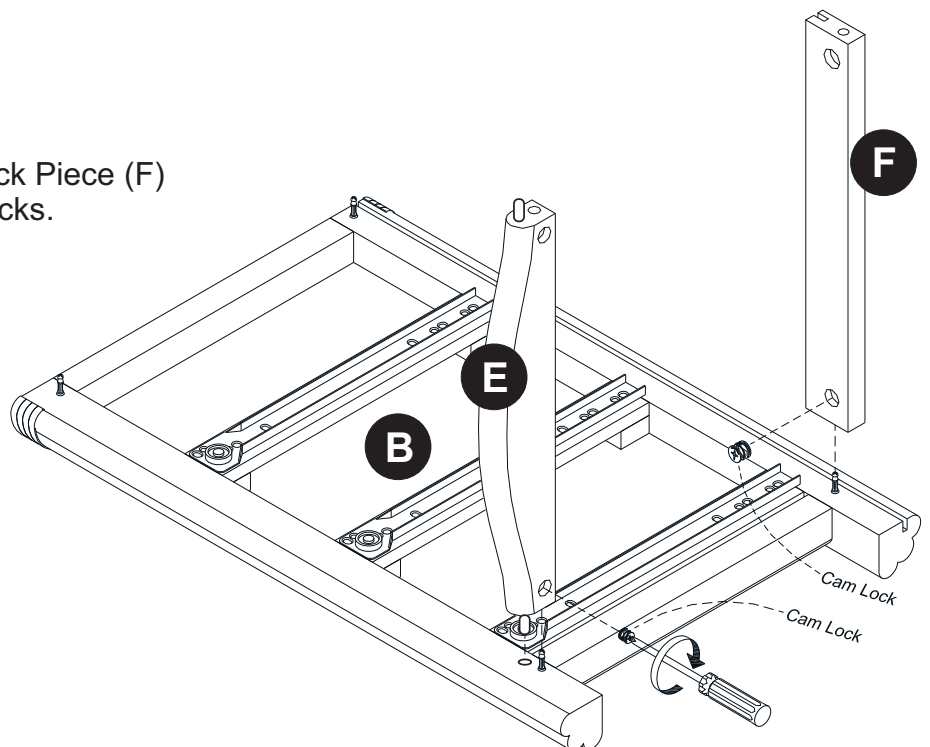


Figure 1

STEP 3

Attach Top (A) to unit with Cam Locks.
(See Figure 2)

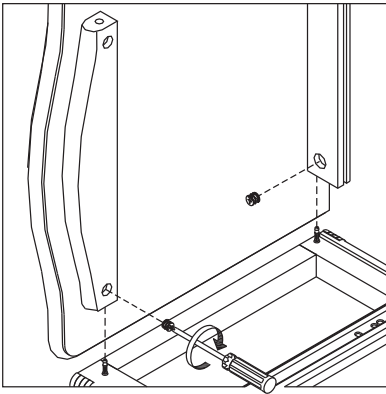
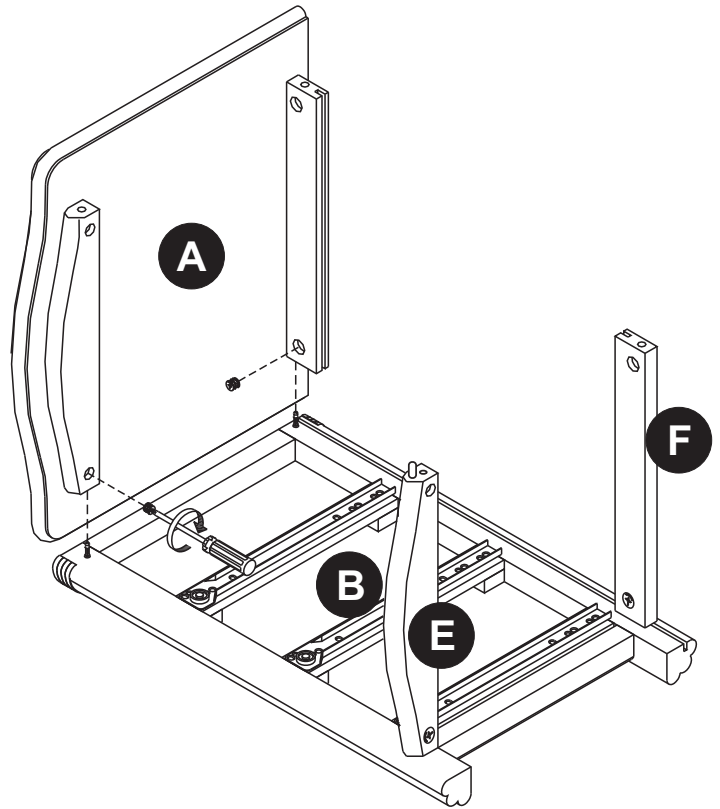
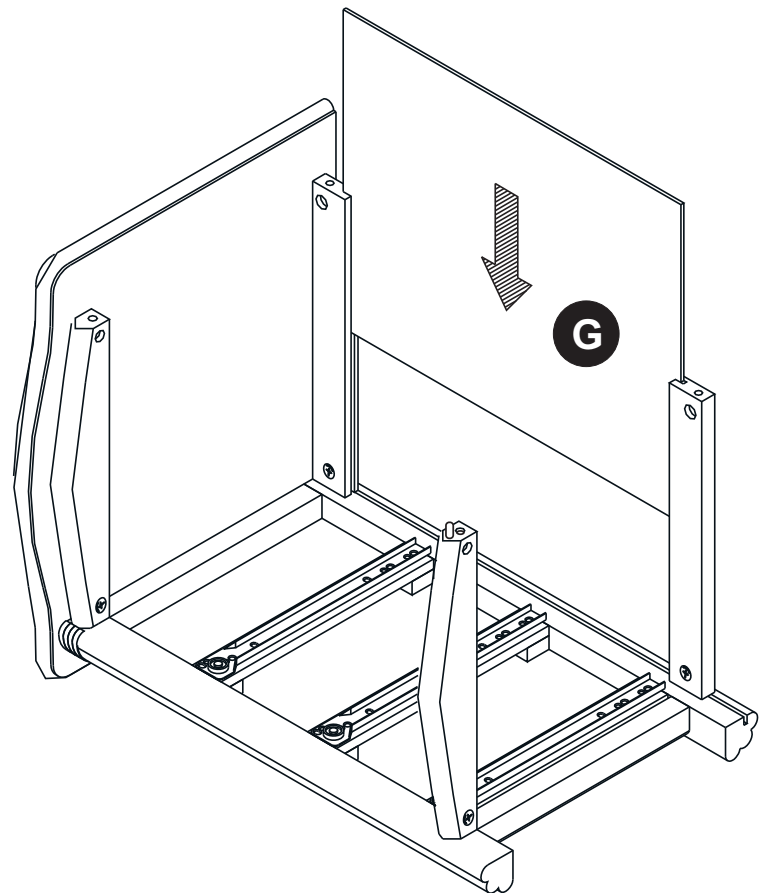


Figure 2



STEP 4

Slide Back Panel (G) into position.



STEP 5

Attach Side Panel (C) to unit with Cam Locks.
(See Figure 3)

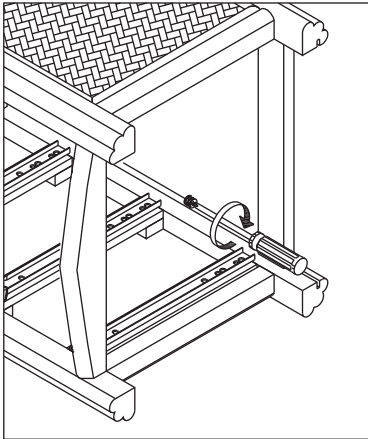
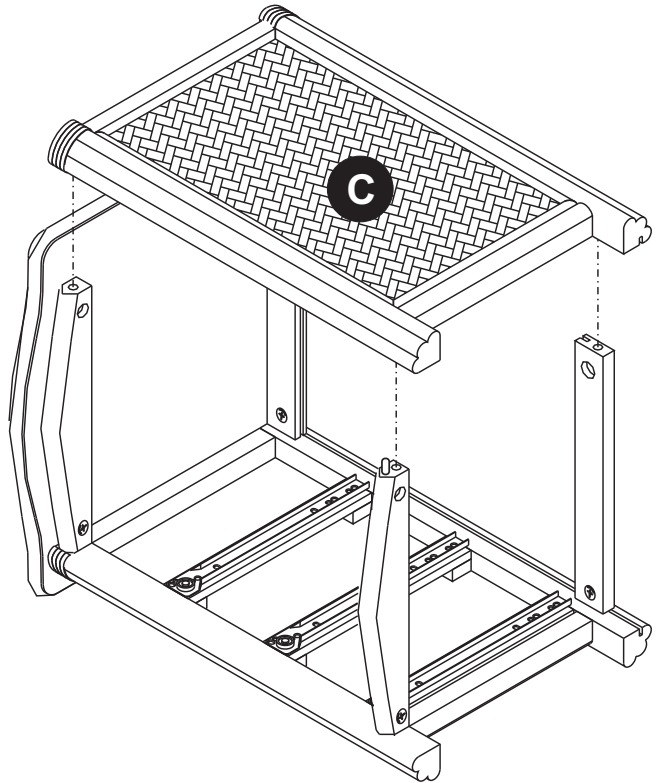
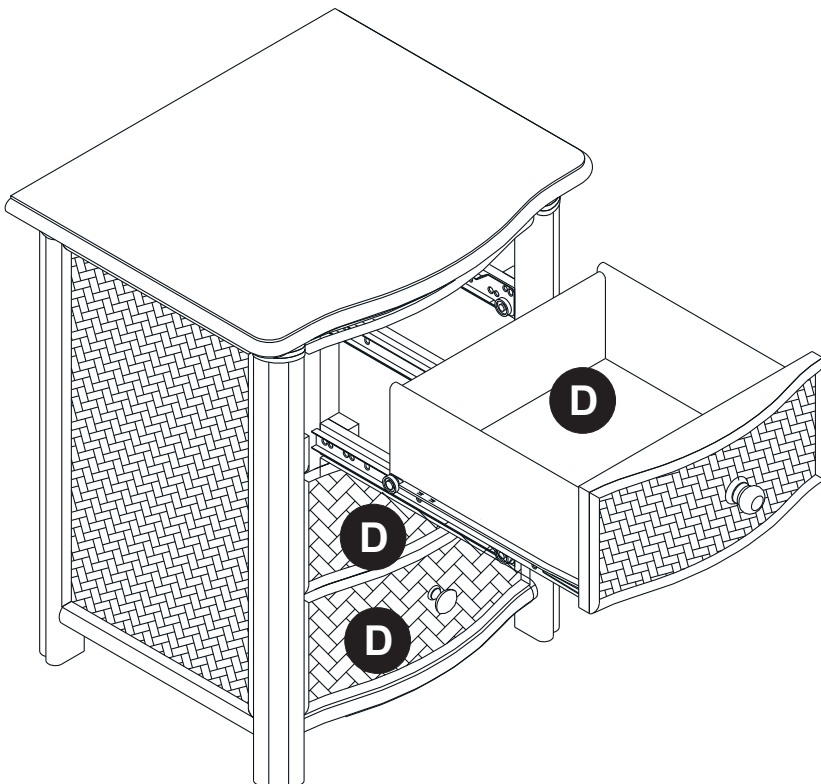


Figure 3



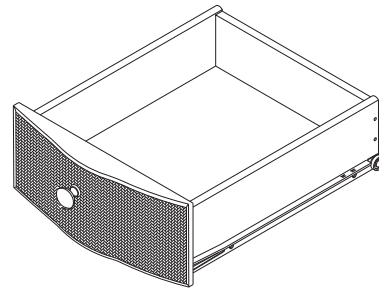
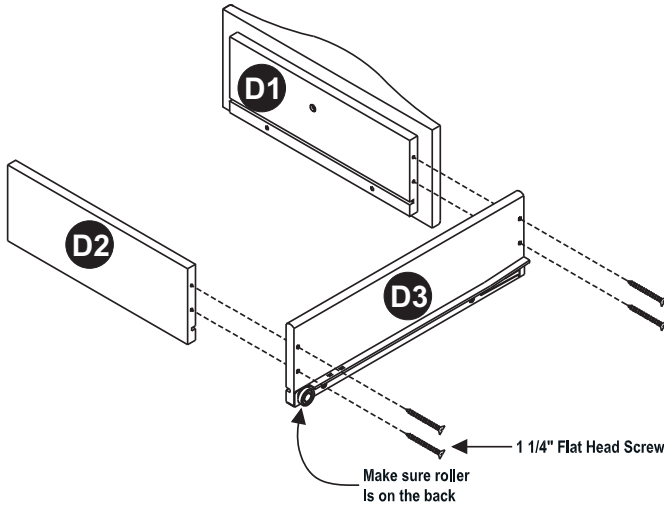
STEP 6

Slide Drawers (D) into position.



Drawer (D)

STEP 1

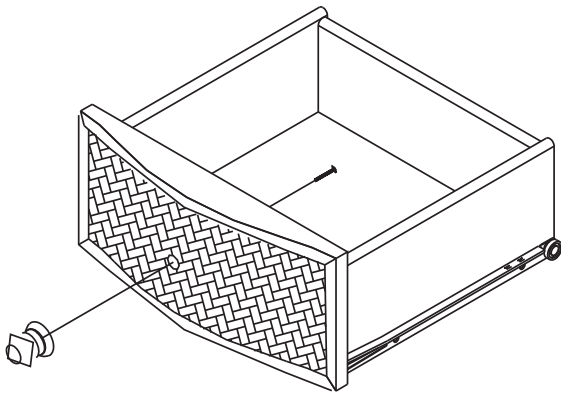
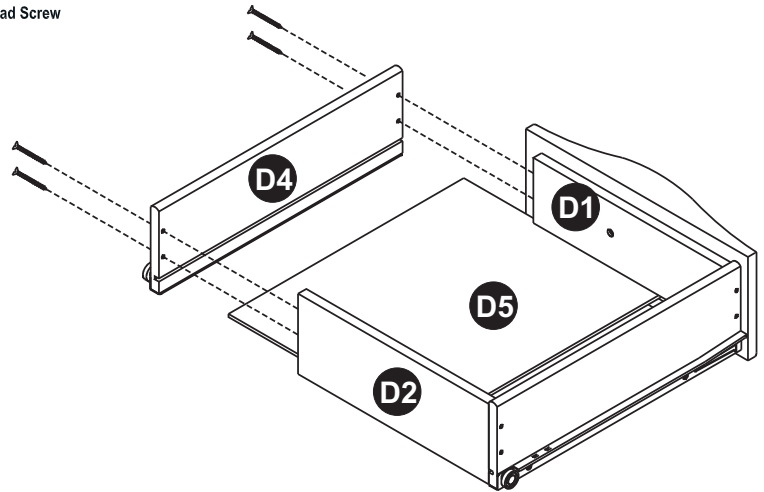


Attach Side Part (D3) to Front Part (D1) and Back Part (D2) using 1 1/4" Flat Head Screws.

STEP 2

Insert Base Part (D5) into the groove.

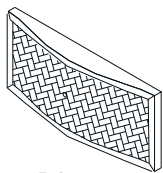
Attach Side Part (D4) to unit using 1 1/4" Flat Head Screws.



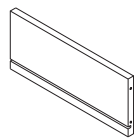
STEP 3

Assemble Pull Handle with 1 1/2" Round Head screw.

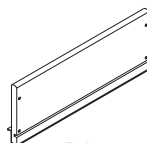
Part List



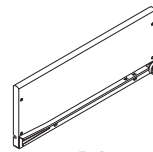
D1.
Front Part
3 pcs.



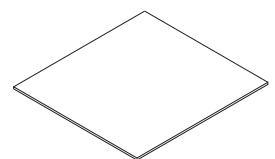
D2.
Back Part
3 pcs.



D3.
Side Part
3 pcs.



D4.
Side Part
3 pcs.



D5.
Base Part
3 pcs.