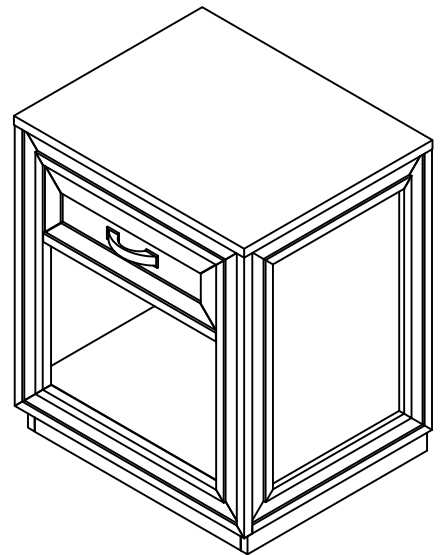


# 88 5545 42

## The Duet

### Night Stand



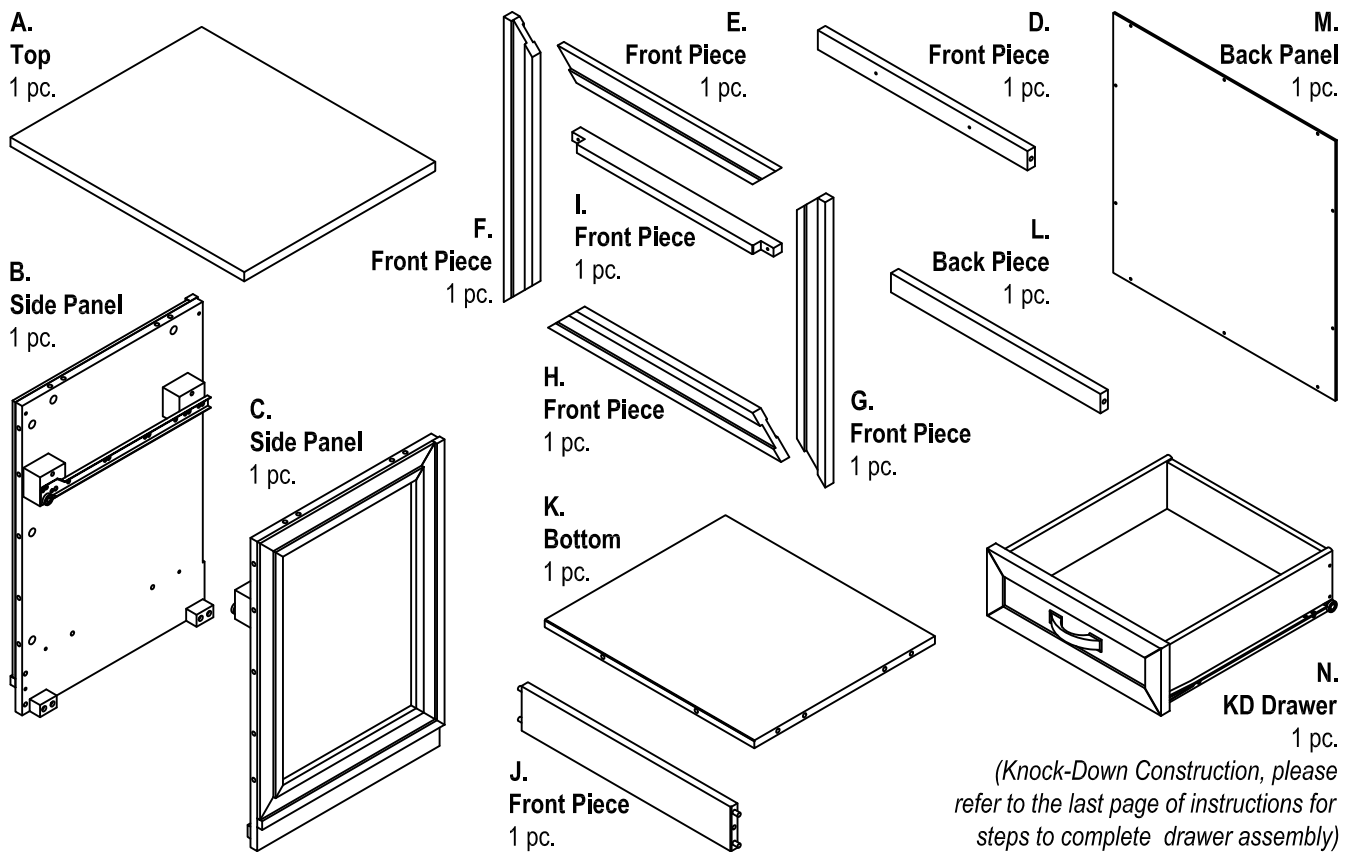
Home  
Styles

#### IMPORTANT NOTE

Carefully remove all the parts from the carton and put them individually on a soft cloth to prevent scratches or other damages occurring to the parts.

We have taken great care in the design of this product and request that you carefully and strictly follow our assembly instructions to ensure a completed product as it was designed.

## Part List



## Hardware List



Cam Lock Screw  
22 pcs. (+1 extra)



Cam Lock  
22 pcs. (+1 extra)



1" Round Head Screw  
4 pcs. (+1 extra)



1/2" Round Head Screw  
10 pcs. (+1 extra)



1 1/4" Flat Head Screw  
8 pcs. (+1 extra)



3/4" Flat Head Screw  
2 pcs. (+1 extra)



1/2" Flat Head Screw  
16 pcs. (+1 extra)



Handle  
1 pc.



Machine Screw  
2 pcs.



Wooden Dowel  
12 pcs. (+1 extra)



Corner Plate  
4 pcs.

Tools Required For Assembly : Phillips screwdriver

**Home Styles Consumer Assistance:** [www.homestyles-furniture.com](http://www.homestyles-furniture.com),  
[servicedesk@homestyles-furniture.com](mailto:servicedesk@homestyles-furniture.com), 888-680-7460, 877-831-0319

# Assembly Instructions 2/7

## IMPORTANT

- \* Do not tighten up all the screws until each part is properly assembled.
- \* Use a soft cloth between these parts and the floor.

## STEP 1

Insert Cam Lock Screws into the pre-drilled holes of Top (A), Side Panel (B) and (C).

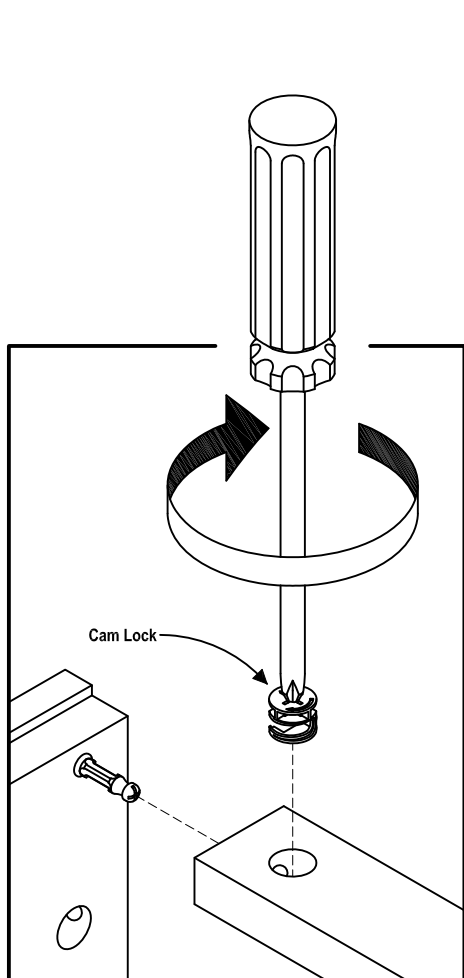
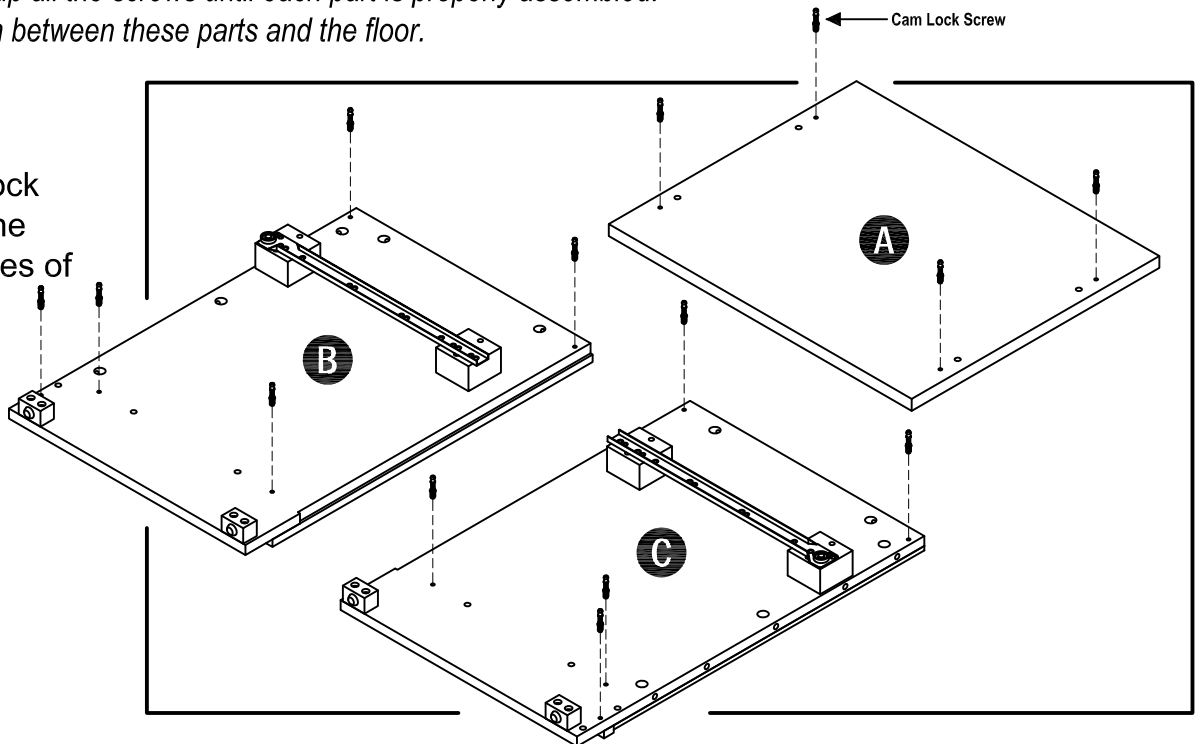
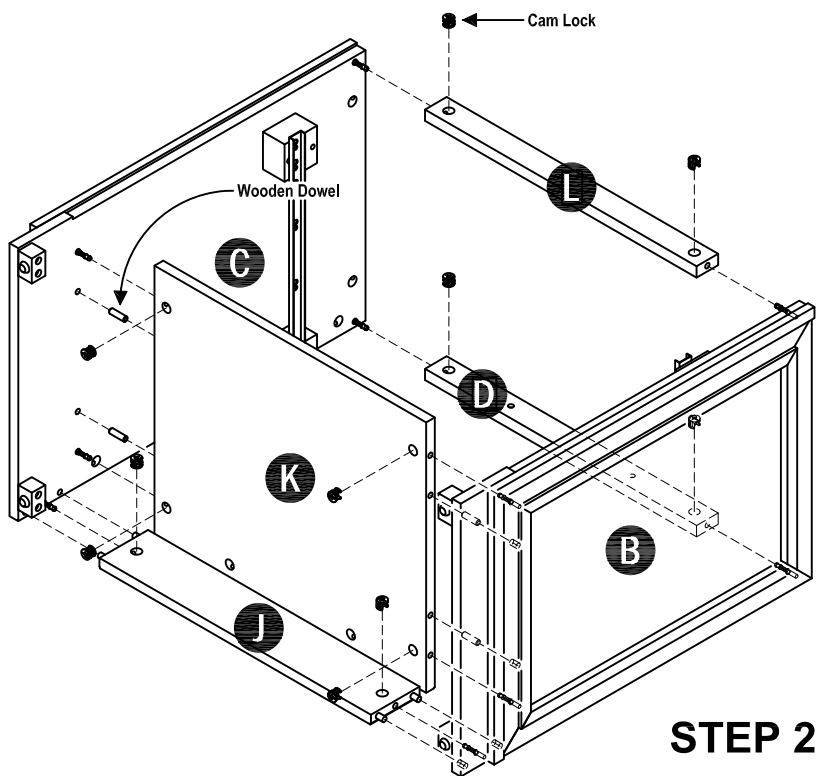


Figure 1



## STEP 2

Attach Front Pieces (D) and (J) and Back Piece (L) to Side Panel (B) with Cam Locks.

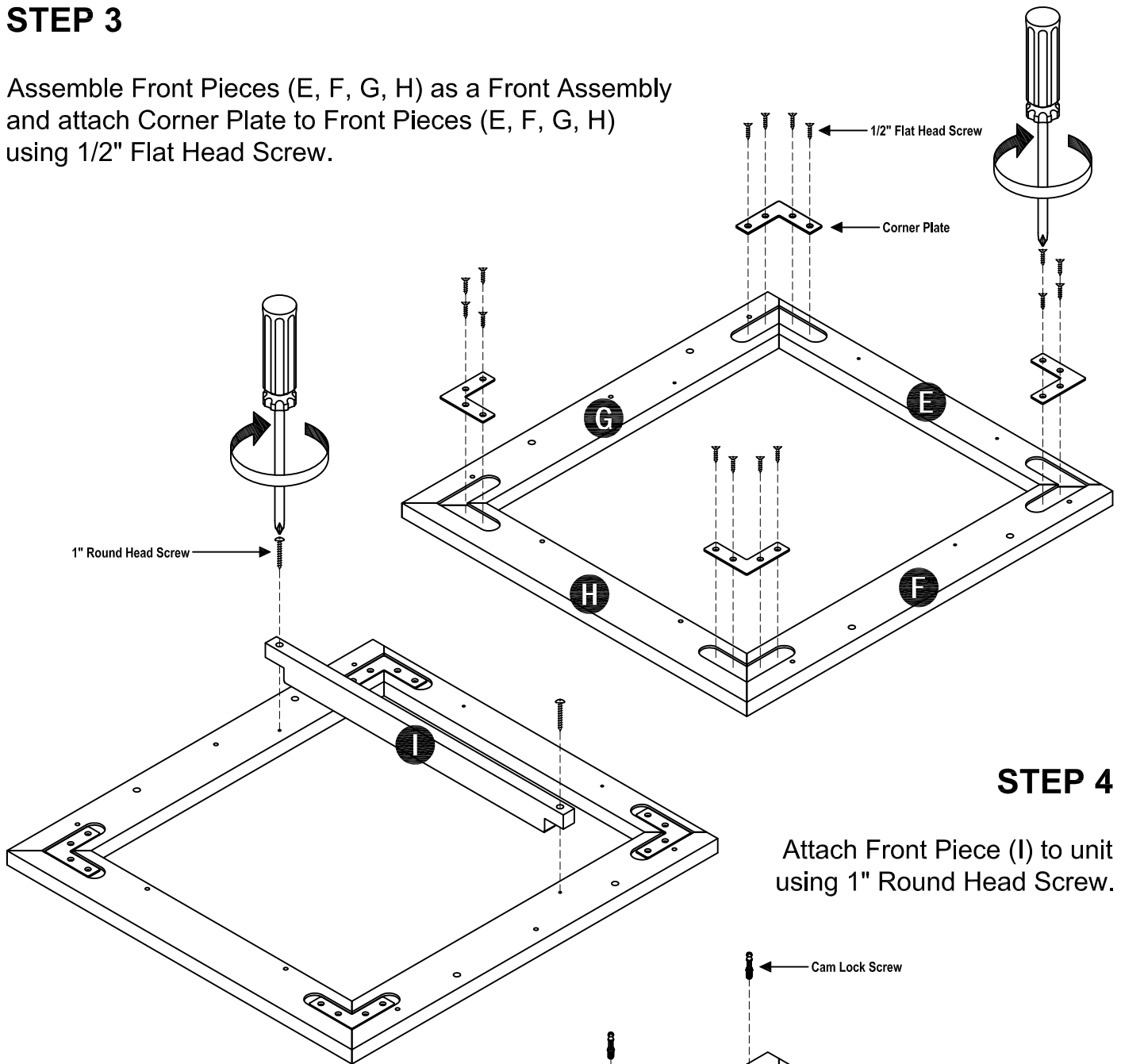
Attach Bottom (K) to unit with Cam Lock and Wooden Dowel.

Attach Side Panel (C) to unit with Cam Locks and Wooden Dowel. (see Figure 1).

# Assembly Instructions 3/7

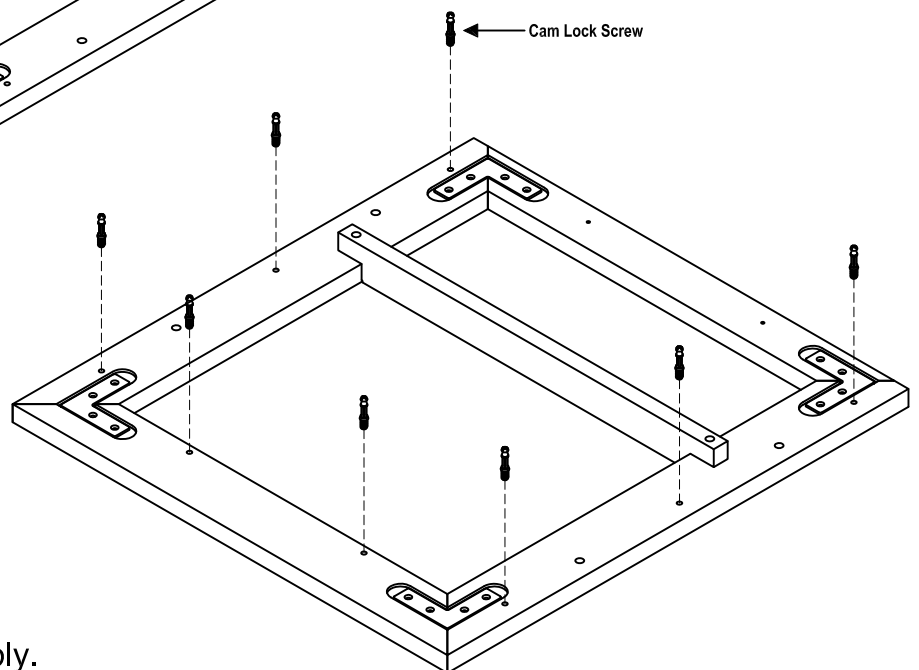
## STEP 3

Assemble Front Pieces (E, F, G, H) as a Front Assembly and attach Corner Plate to Front Pieces (E, F, G, H) using 1/2" Flat Head Screw.



## STEP 4

Attach Front Piece (I) to unit using 1" Round Head Screw.



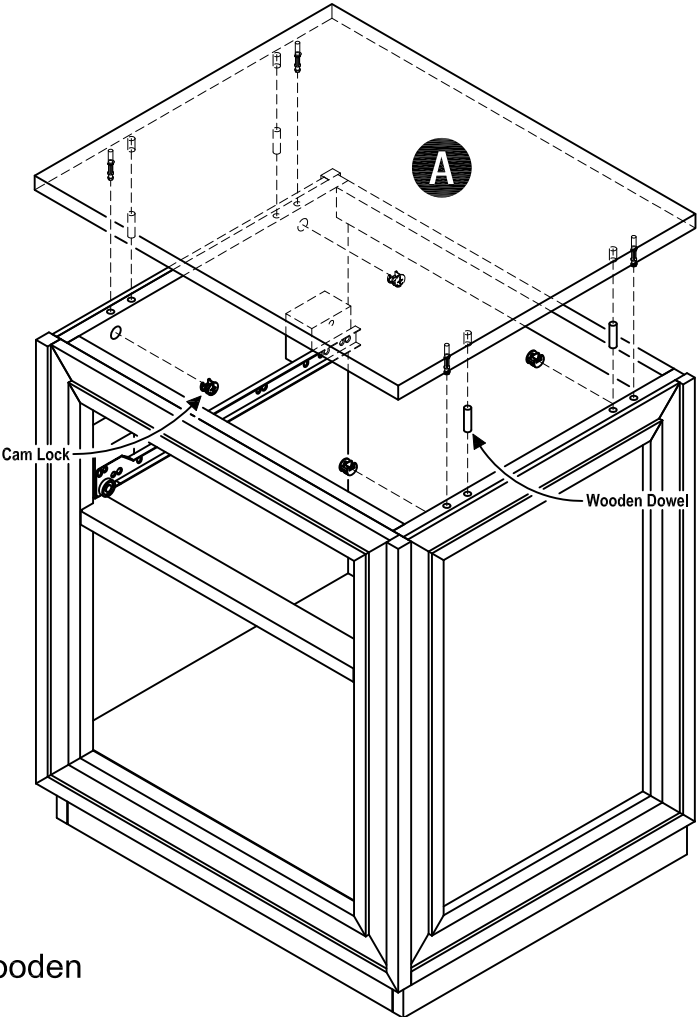
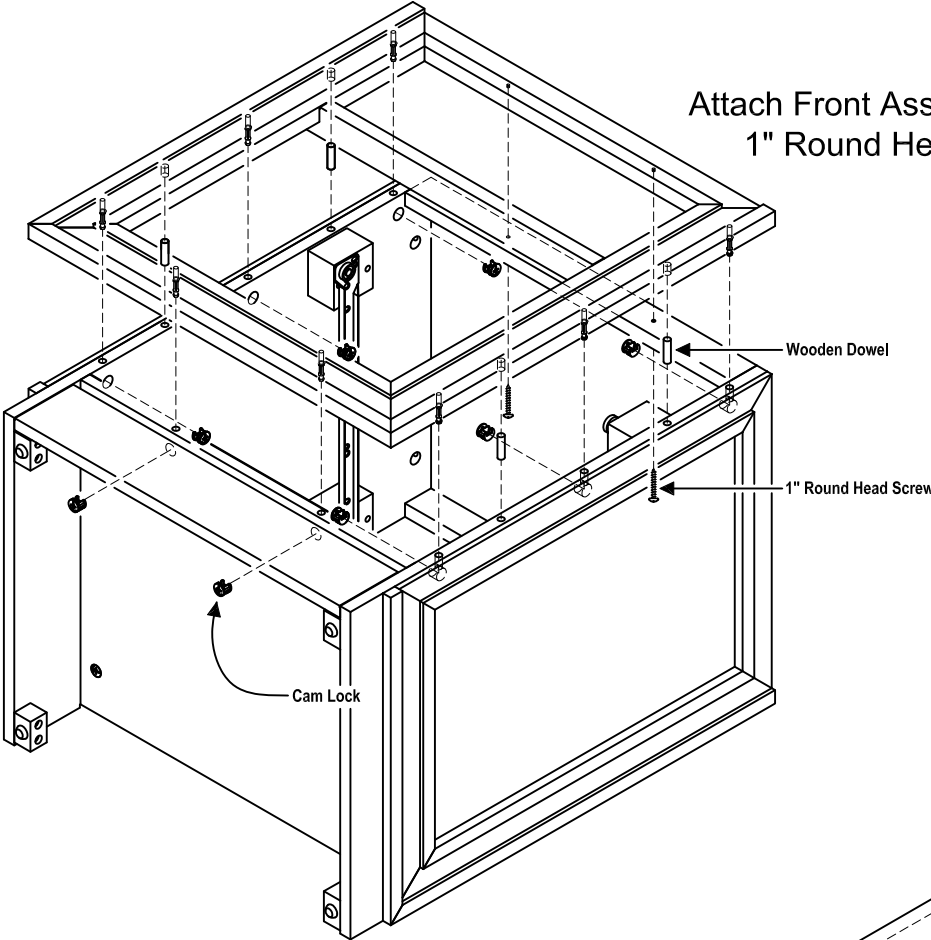
## STEP 5

Insert Cam Lock Screws into the pre-drilled holes of Front Assembly.

# Assembly Instructions 4/7

## STEP 6

Attach Front Assembly to unit using Cam Locks, 1" Round Head Screws and Wooden Dowel.



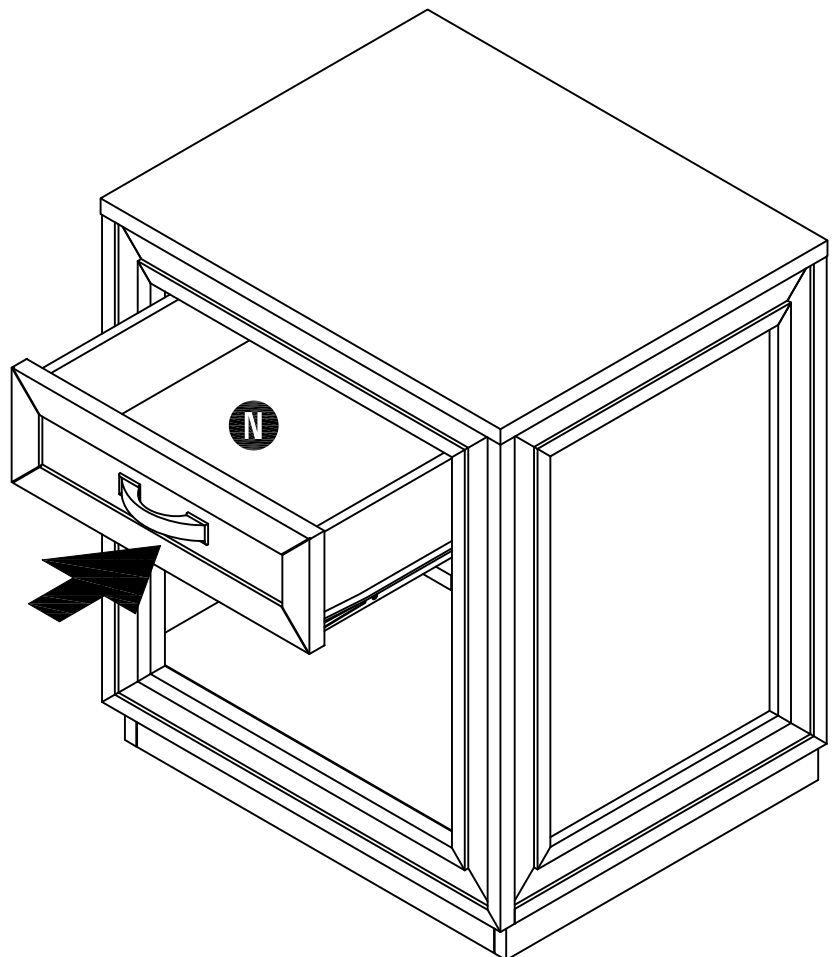
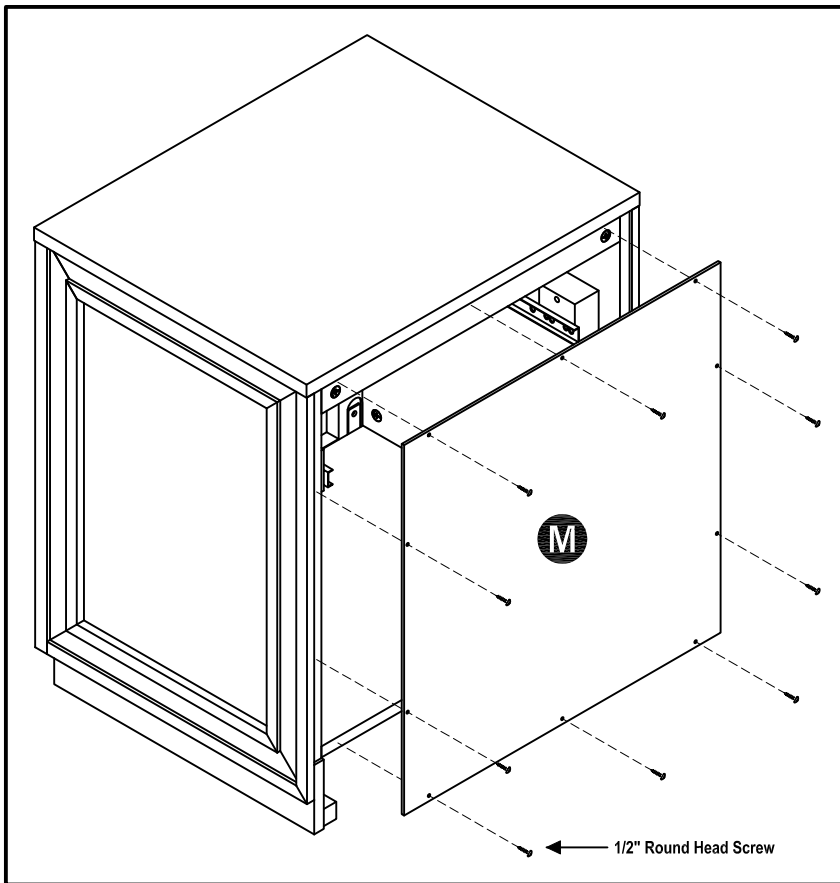
## STEP 7

Attach Top (A) to unit using Cam Locks and Wooden Dowels.

# Assembly Instructions 5/7

## STEP 8

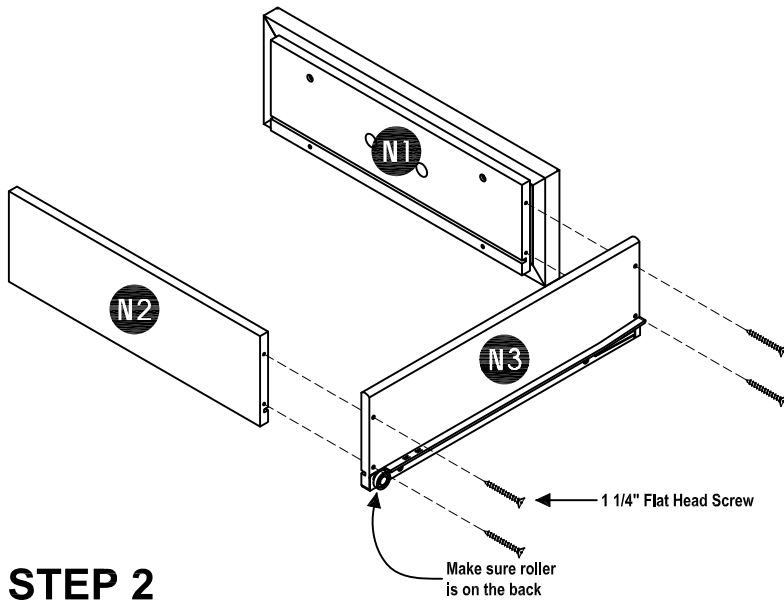
Attach Back Panel (M) to unit using  
1/2" Round Head Screws.



## STEP 9

Slide Drawer (N) into place.

## Drawer (N)



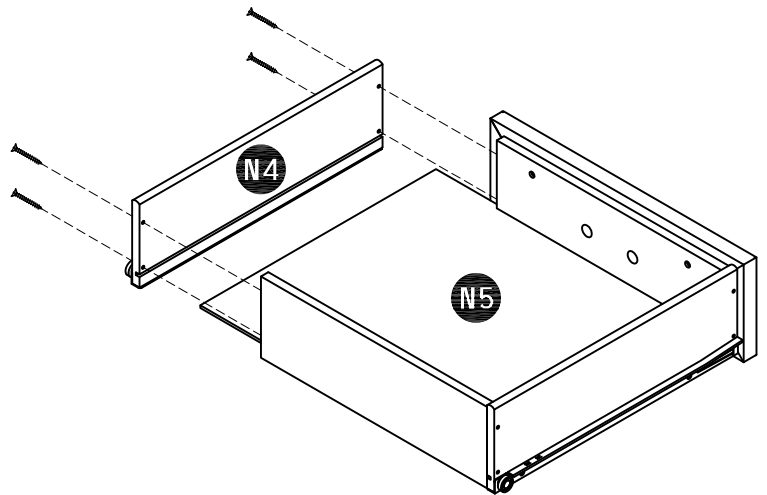
### STEP 1

Attach Side Part (N3) to Front Part (N1) and Back Part (N2) using 1 1/4" Flat Head Screws.

### STEP 2

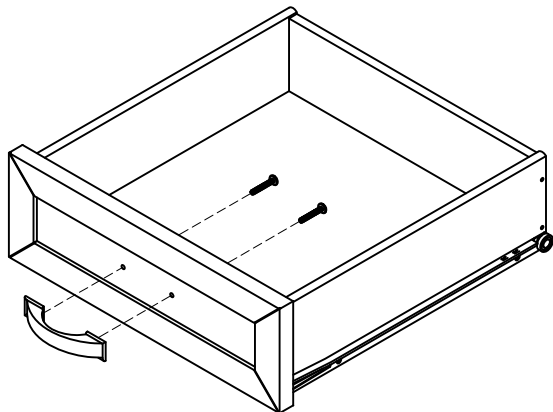
Insert Base Part (N5) into the groove.

Attach Side Part (N4) to unit using 1 1/4" Flat Head Screws.

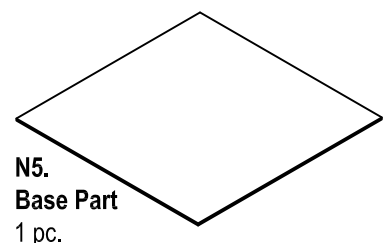
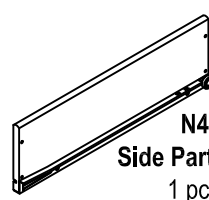
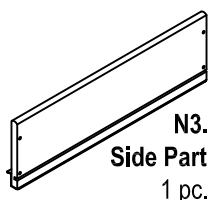
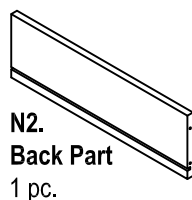
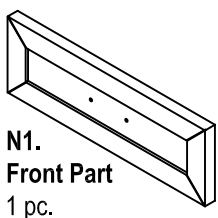


### STEP 3

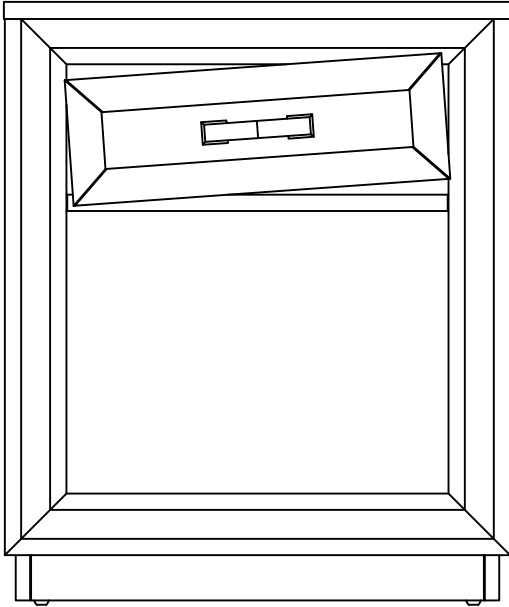
Attach Handle with Machine Screws.



## Part List



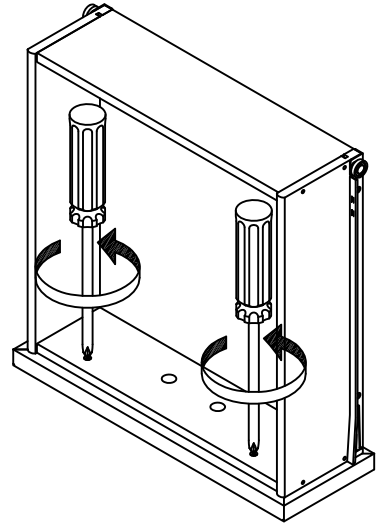
# Assembly Instructions 7/7



## I. IF DRAWER DOES NOT ALIGN

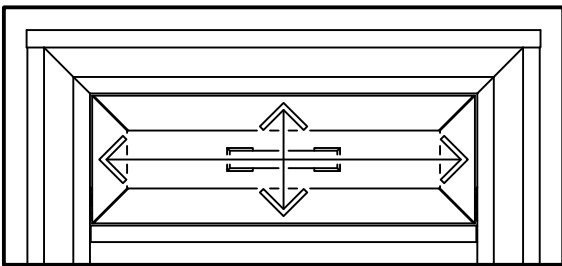
### STEP 1

Loosen slightly the upper screws.

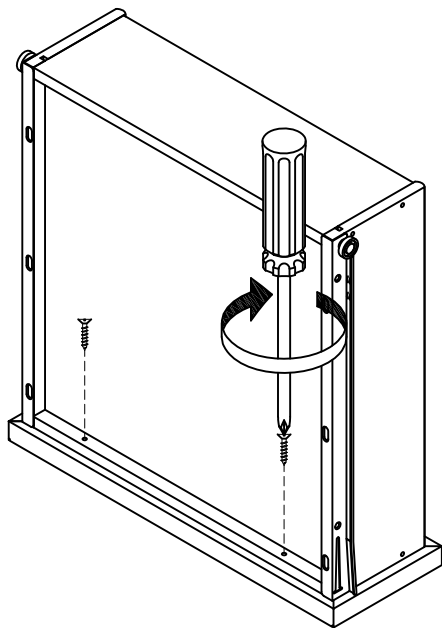


### STEP 2

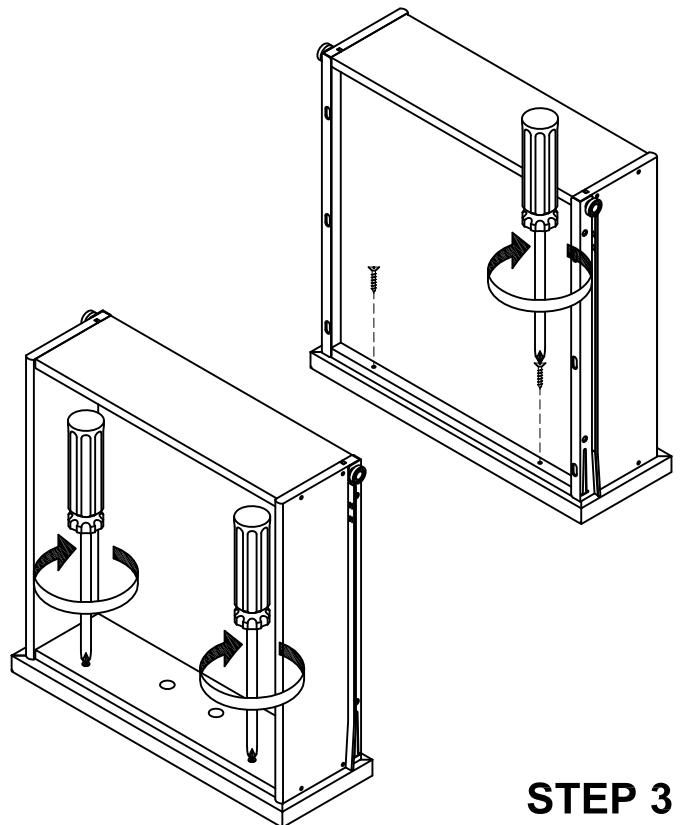
Insert the drawer into the main body, then adjust the drawer front panel left or right and up or down, until the drawer gaps look proportional.



## II. IF DRAWER ALREADY ALIGNS



Pull out drawer slowly. Lock the drawer front panel into position with 3/4" Flat Head Screws.



### STEP 3

Pull the drawer open slowly and tighten the upper screws. Make sure the front panel does not move and lock the drawer front panel into position with 3/4" Flat Head Screws.

# VERY IMPORTANT !!

## CARE INSTRUCTIONS

### NEVER

USE GLASS CLEANERS ON FINISHED FURNITURE. AMMONIA WILL CHEMICALLY ATTACK THE LACQUER.

### NEVER

ALLOW LIQUIDS OF ANY KIND TO REMAIN ON THE FURNITURE. ABSORPTION CAUSES WOOD TO WARP AND SPLIT AND FINISHES TO DELAMINATE.

DO NOT WRITE DIRECTLY ON SURFACE.



**PREVENT MARKING**

DO NOT PLACE IN DIRECT SUNLIGHT.



**PREVENT FADING**

DO NOT USE COMMERCIAL WAXES AND POLISHES.



**PREVENT YELLOWING**

DO NOT PLACE HOT OBJECTS ON SURFACE.



**PREVENT FINISH DAMAGE**

DO NOT USE RUBBER BASED PLACE MATS.



**PREVENT DISCOLORING**

## TO CLEAN

USE A SOFT CLOTH MOISTENED IN LEMON OIL POLISH OR LUKEWARM SOAP AND WATER, THEN BUFF WITH A DRY CLEAN CLOTH.



Home Styles will provide replacements free of charge for missing or damaged hardware or parts within 30 days of purchase. Digital images of the defective parts may be required. If this product was not purchased from an authorized retail affiliate, Home Styles is under no obligation to provide replacement parts. Parts are not available for fully assembled items nor are parts available for sale. Replacements for missing or damaged hardware or parts may be requested at:

[www.homestyles-furniture.com/customer\\_service](http://www.homestyles-furniture.com/customer_service)

**Home Styles Consumer Assistance:** [www.homestyles-furniture.com](http://www.homestyles-furniture.com),  
[servicedesk@homestyles-furniture.com](mailto:servicedesk@homestyles-furniture.com), 888-680-7460, 877-831-0319