

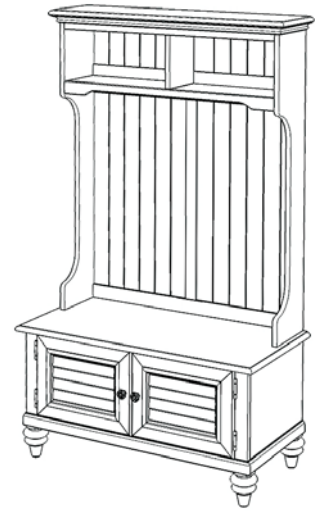
88 5542 49 Bermuda Hall Tree

IMPORTANT NOTE

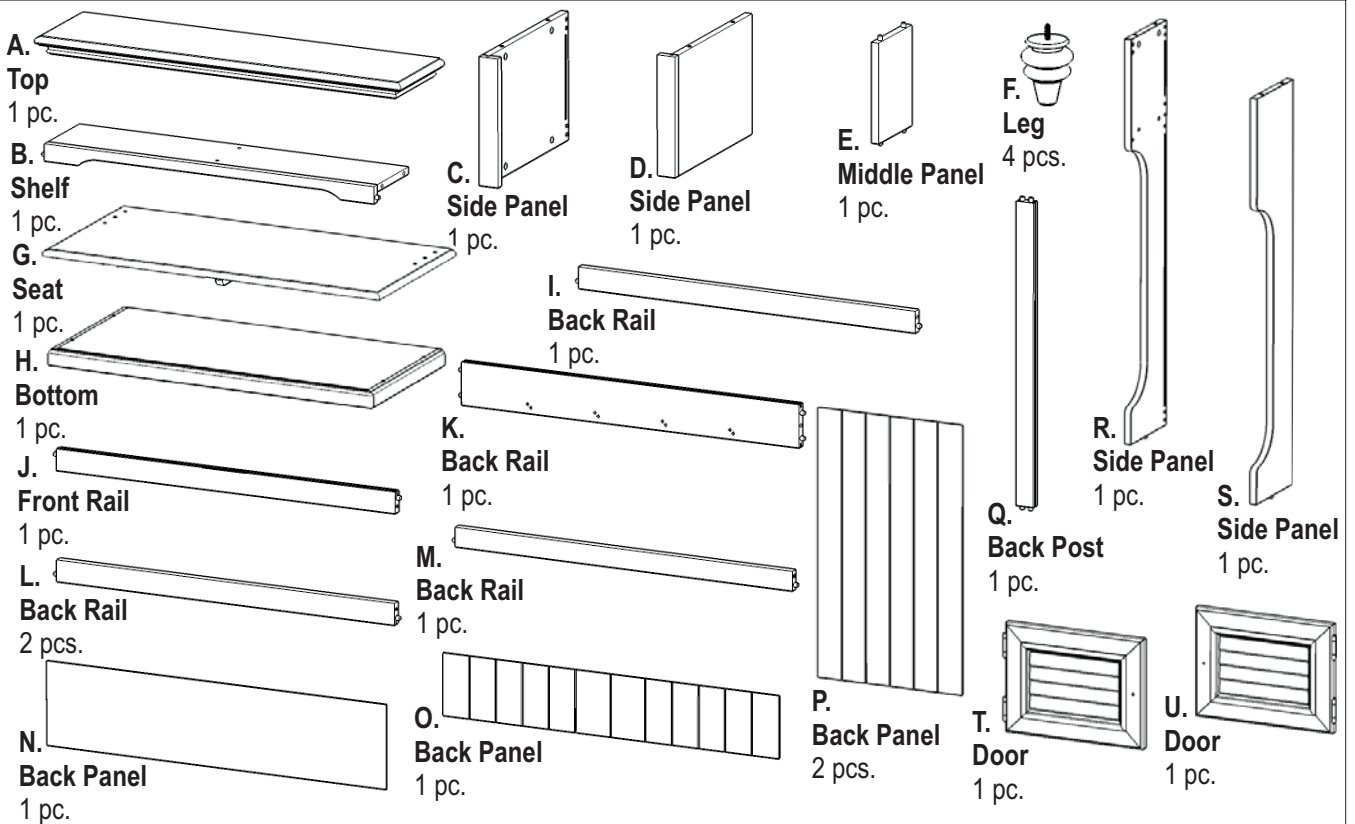
Carefully remove all the parts from the carton and put them individually on a soft cloth to prevent scratches or other damages occurring to the wood parts.

We have taken great care in the design of this product and request that you carefully and strictly follow our assembly instructions to ensure a completed product as it was designed.

*Home
Styles*



Part List



Hardware List



Tools required for assembly : **Phillips** screwdriver

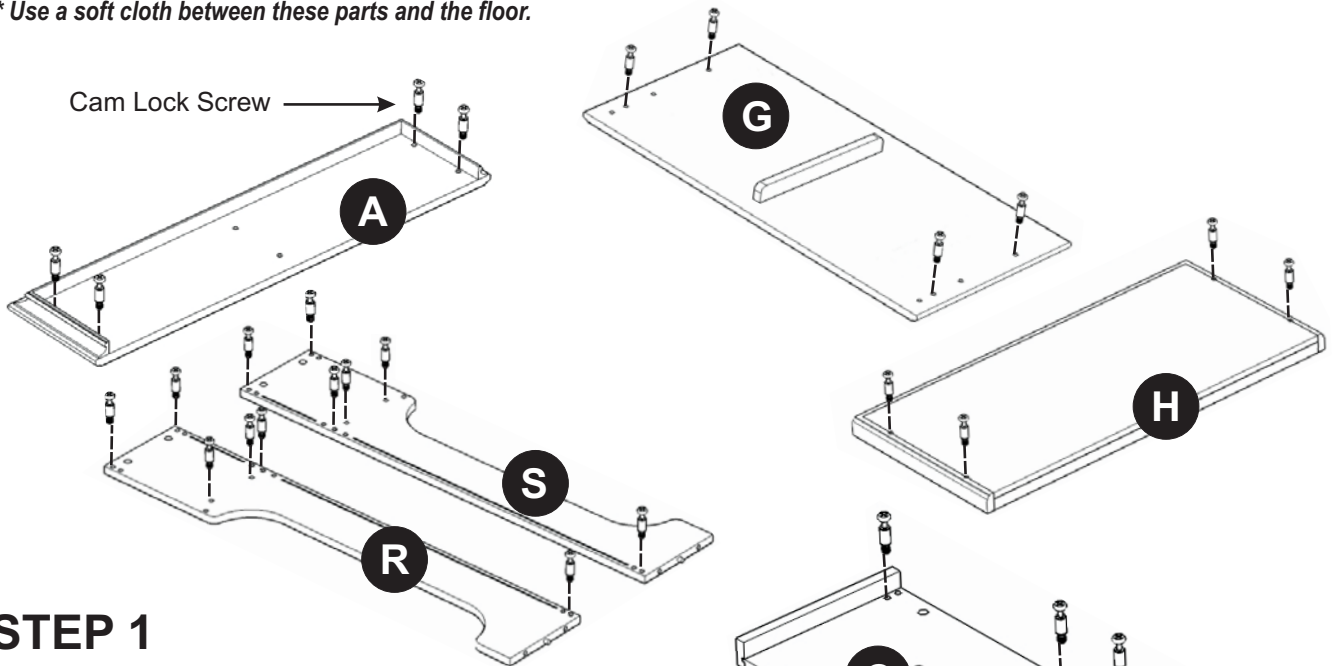
Tools recommended for assembly : Level

Home Styles Consumer Assistance: www.homestyles-furniture.com,
servicedesk@homestyles-furniture.com, 888-680-7460, 877-831-0319

Assembly Instructions 2/6

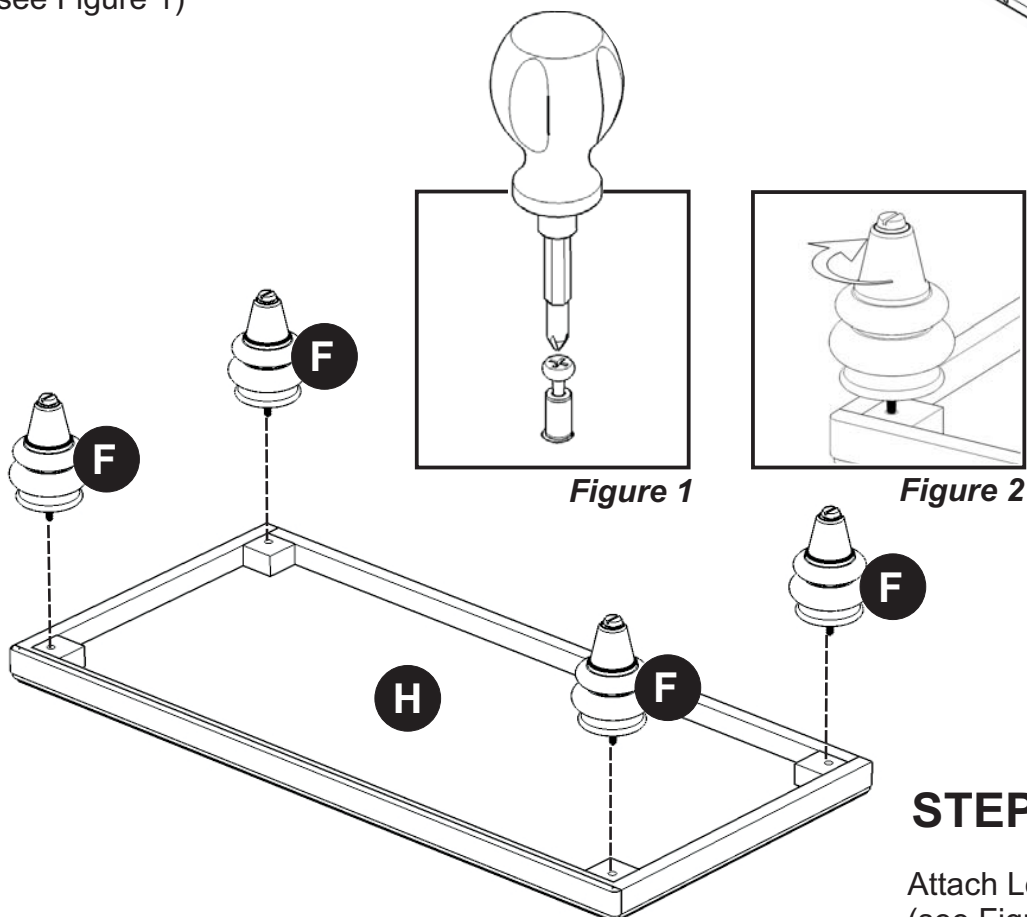
IMPORTANT

- * Do not tighten up all the screws until each part is properly assembled.
- * You should keep Hex Wrench in a safe place as you may need to tighten up the Head Cap Bolts in the future.
- * After assembly, item must be level to work properly. Use the included adjustable levelers to level.
- * Use a soft cloth between these parts and the floor.



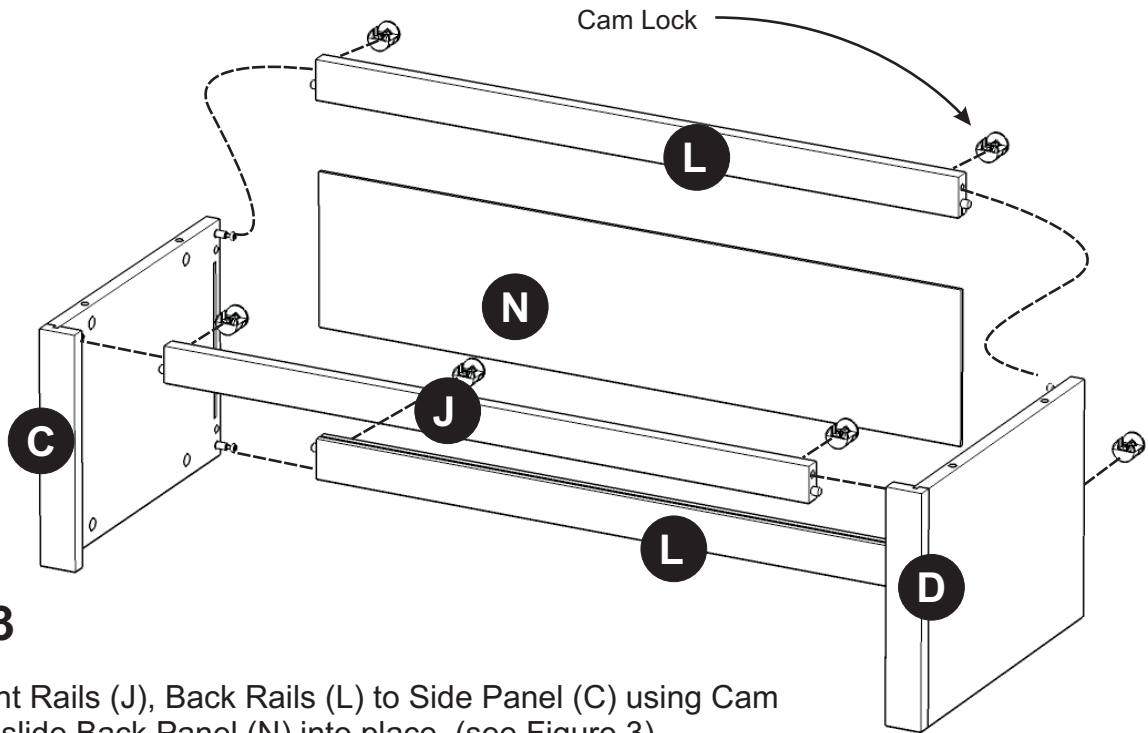
STEP 1

Insert Cam Lock Screws into the pre-drilled holes of Top (A), Seat (G), Bottom (H), Side Panel (C), (D), (R) and (S). (see Figure 1)



STEP 2

Attach Legs (F) to Bottom (H). (see Figure 2)



STEP 3

Attach Front Rails (J), Back Rails (L) to Side Panel (C) using Cam Locks and slide Back Panel (N) into place. (see Figure 3)

Attach Side Panel (D) to unit using Cam Locks.

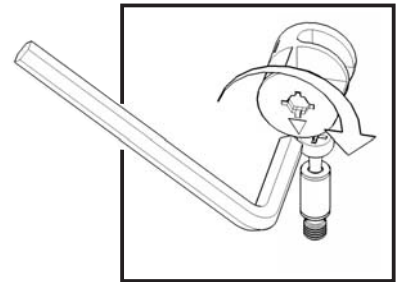
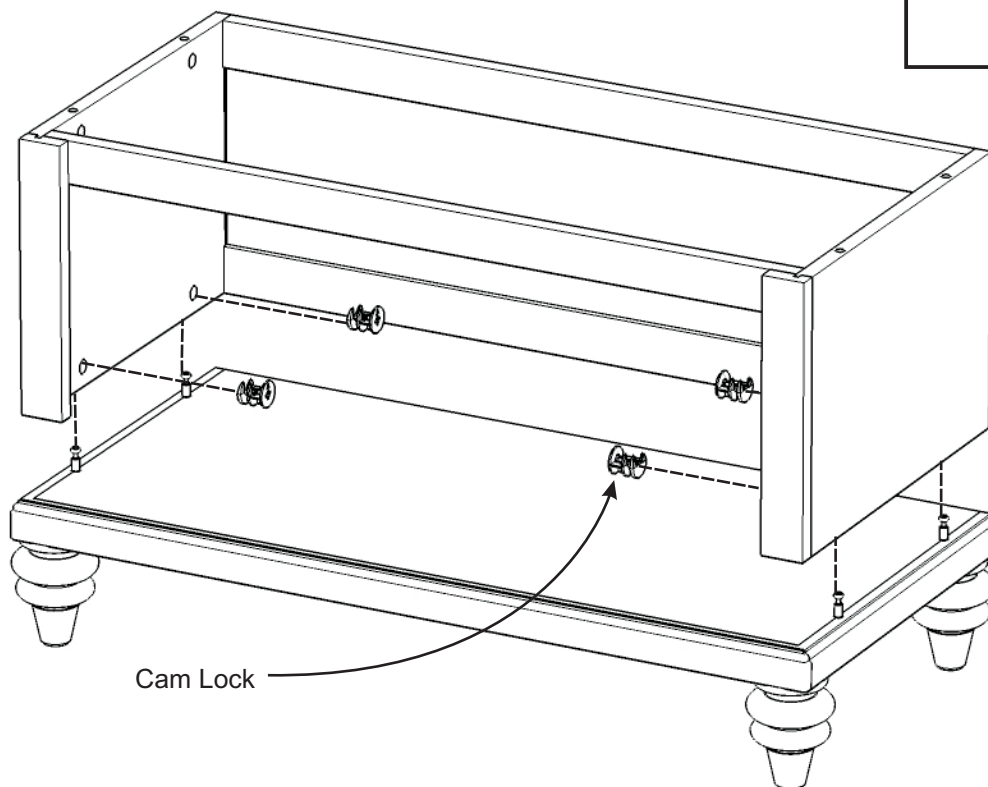


Figure 3



STEP 4

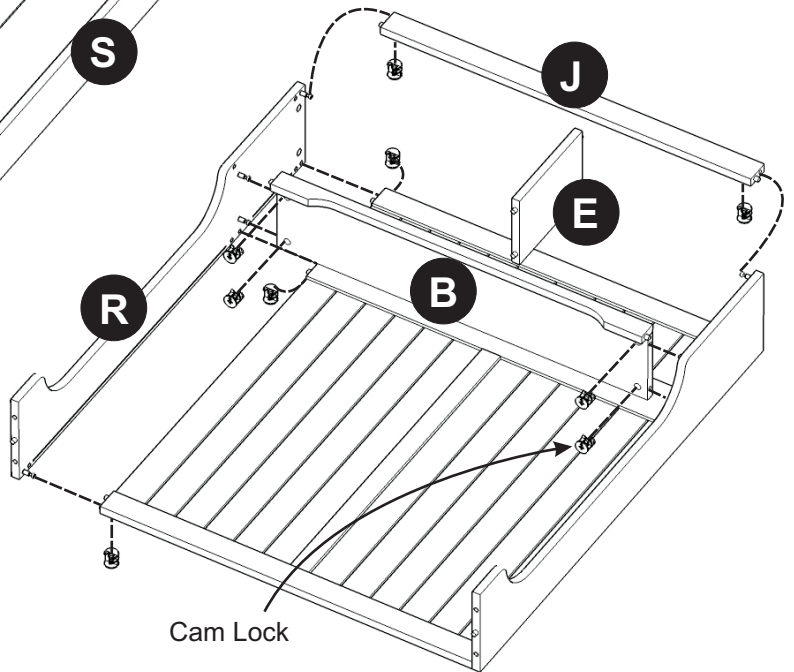
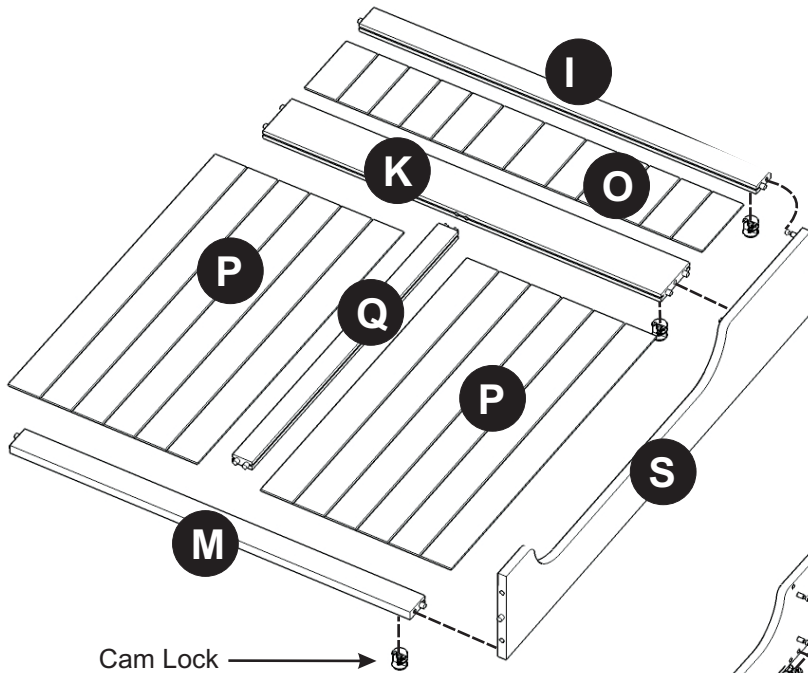
Place unit from Step 3 onto Bottom unit using Cam Locks.

STEP 5

Attach Back Rail (I), (K) to Side panel (S) using Cam Locks and slide Back Panel (O) into place.

Slide Back Panels (P) and Back Post (Q) into Back Rail (K).

Attach Back Rail (M) to the unit using Cam Lock.



STEP 6

Attach Shelf (B), Front Rail (J) to unit using Cam Locks.

Slide Middle Panel (E) into place.

Attach Side Panel (R) to unit using Cam Locks.

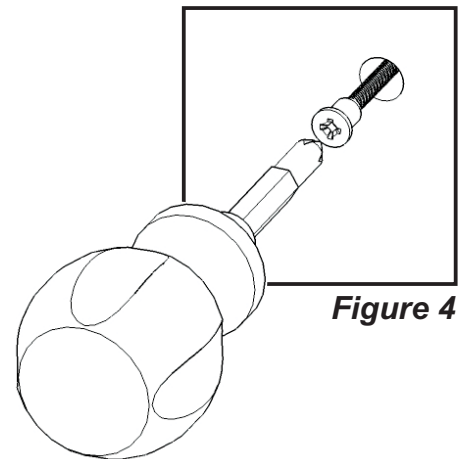
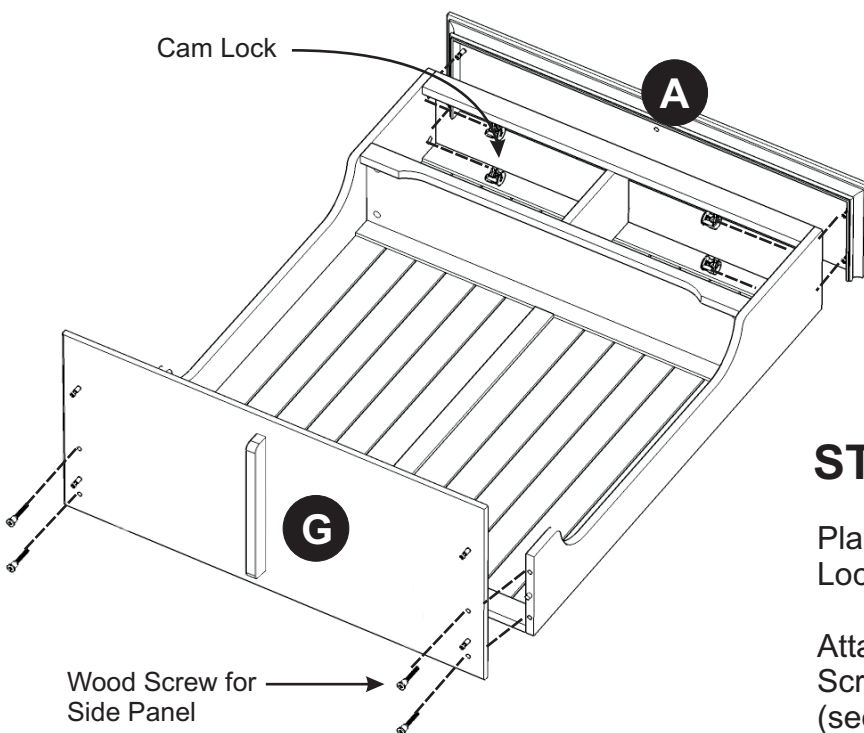


Figure 4

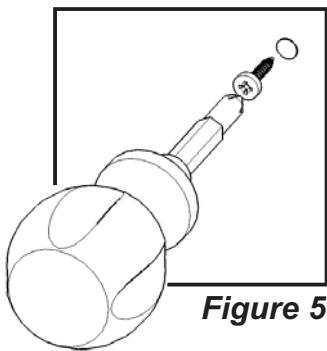
STEP 7

Place Top (A) onto unit using Cam Locks.

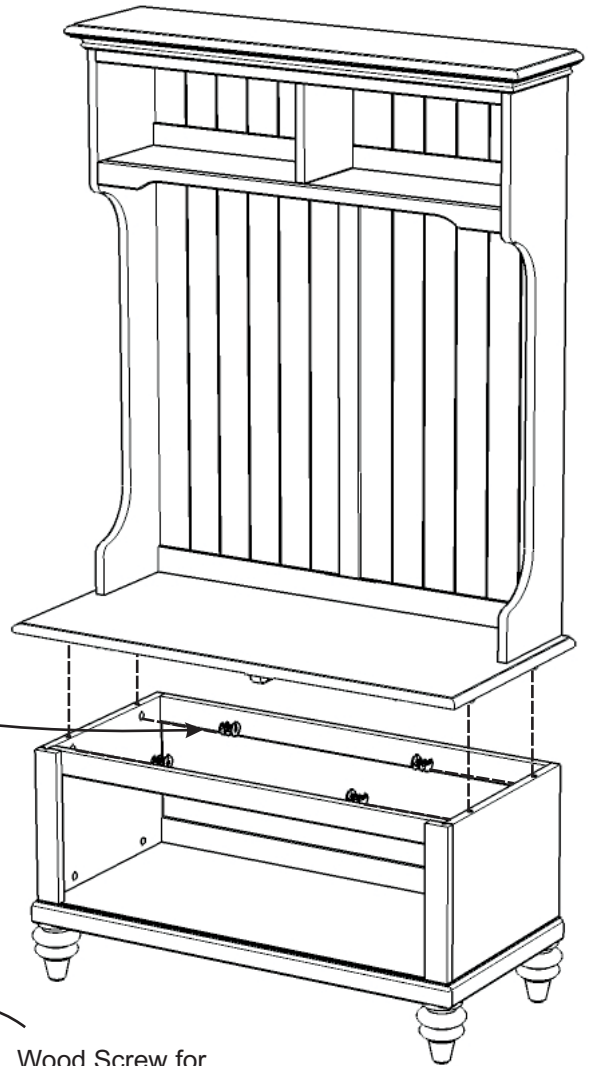
Attach Seat (G) to unit with Wood Screw for Side Panel. (see Figure 4)

STEP 8

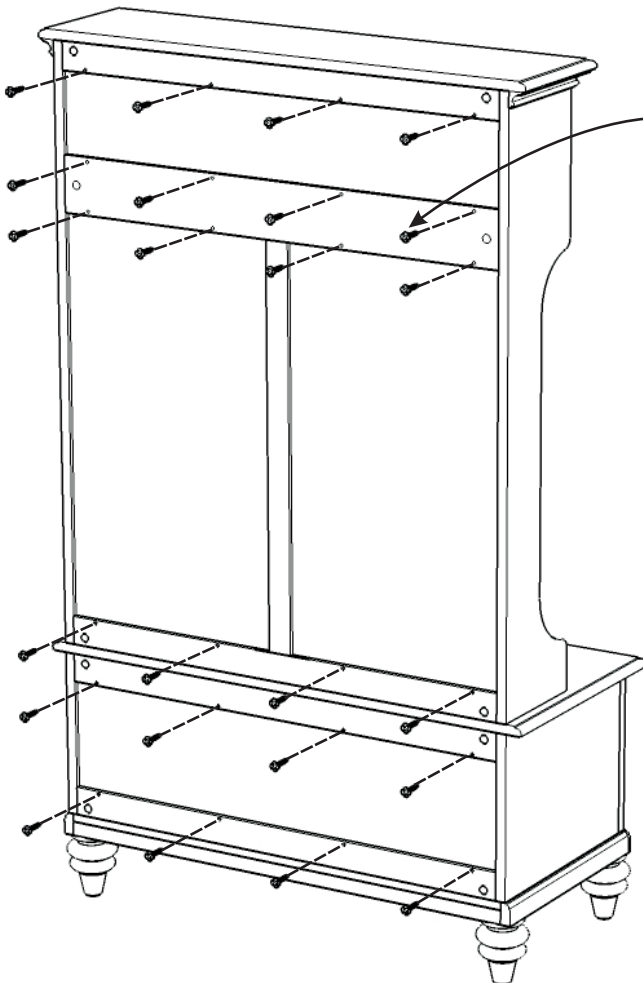
Place the Top unit onto the Base Unit using Cam Locks.



Cam Lock



Wood Screw for Back Panel



STEP 9

To level the unit, adjust the adjustable levelers on the bottom of unit. (see Figure 6)

Insert 24X Wood Screws from the back of the unit and then tighten up all the Wood Screws. (see Figure 5)

Note: Please make sure unit is level before tightening these screws.

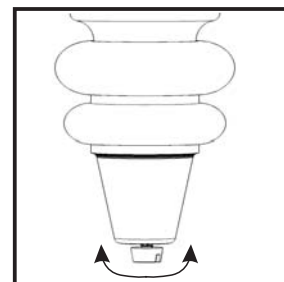


Figure 6

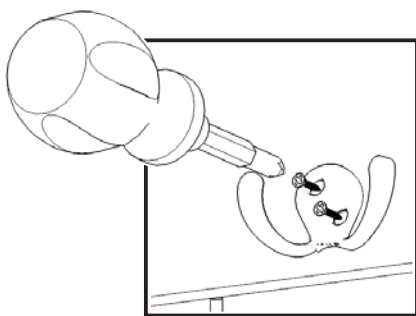
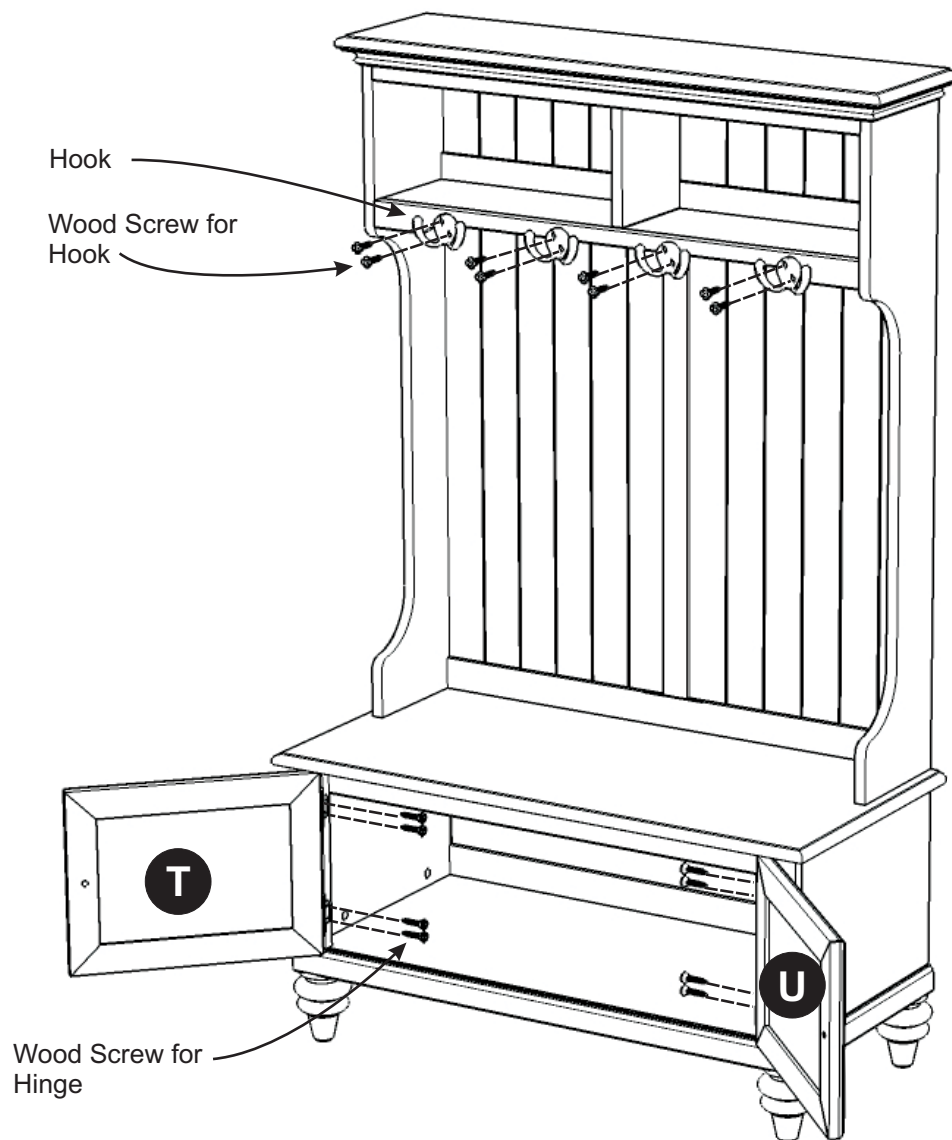


Figure 7

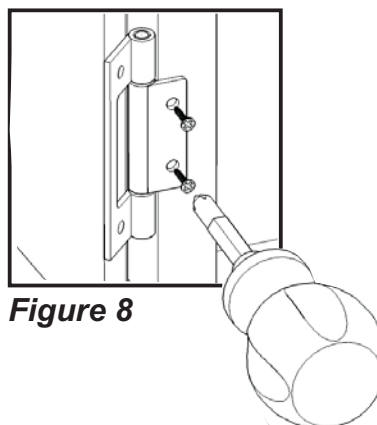


Figure 8

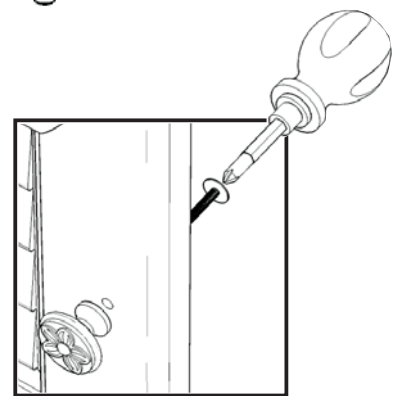


Figure 9

STEP 6

Attach Hooks to the unit with Wood Screw for Hooks. (see Figure 7)

Attach Doors (T) and (U) to the Base unit with Wood Screws for Hinges. (see Figure 8)

Attach Pull Handles to Doors (T) and (U) with Machine Screws. (see Figure 9)