

# 88 5051 603

## St. Ives

### King Bed Rails

#### IMPORTANT NOTE

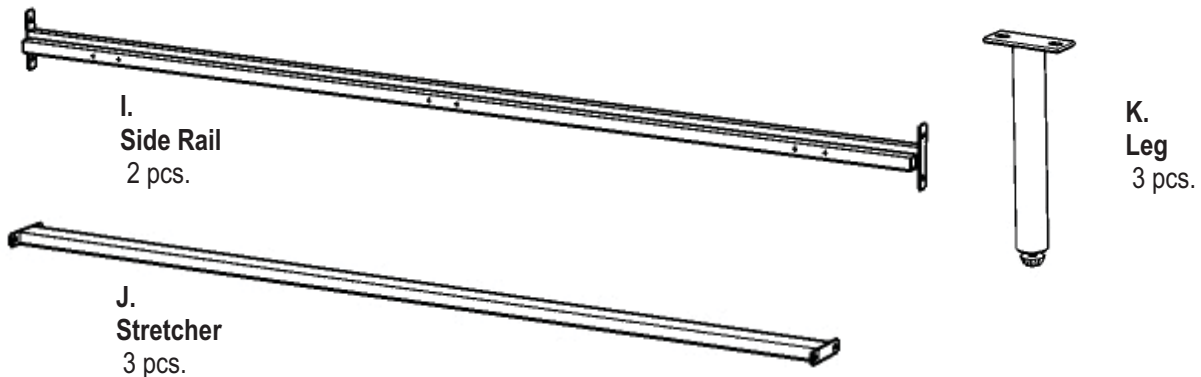
Carefully remove all the parts from the carton and put them individually on a soft cloth to prevent scratches or other damages occurring to the wood parts.

We have taken great care in the design of this product and request that you carefully and strictly follow our assembly instructions to ensure a completed product as it was designed.

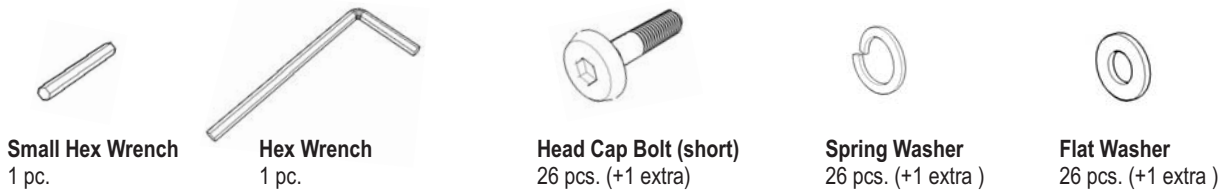


Home  
Styles

### Part List



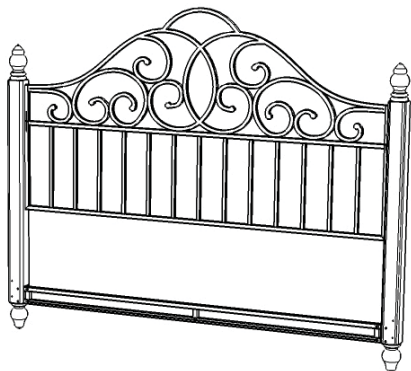
### Hardware List



For assembly also need the following:

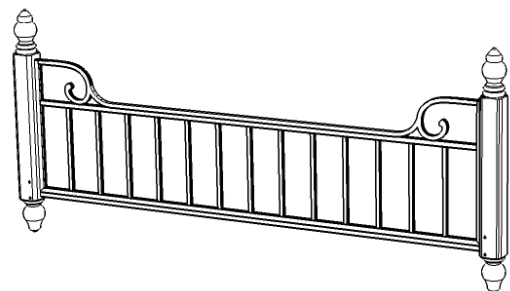
88 5051 601

Carton quantity: 1



88 5051 602

Carton quantity: 1



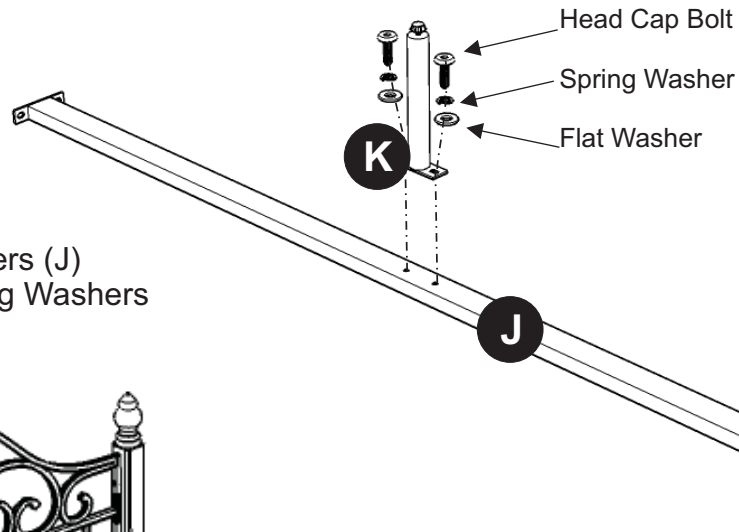
Tools recommended for assembly : Level

Home Styles Consumer Assistance: [www.homestyles-furniture.com](http://www.homestyles-furniture.com),  
[servicedesk@homestyles-furniture.com](mailto:servicedesk@homestyles-furniture.com), 888-680-7460, 877-831-0319

# Assembly Instructions

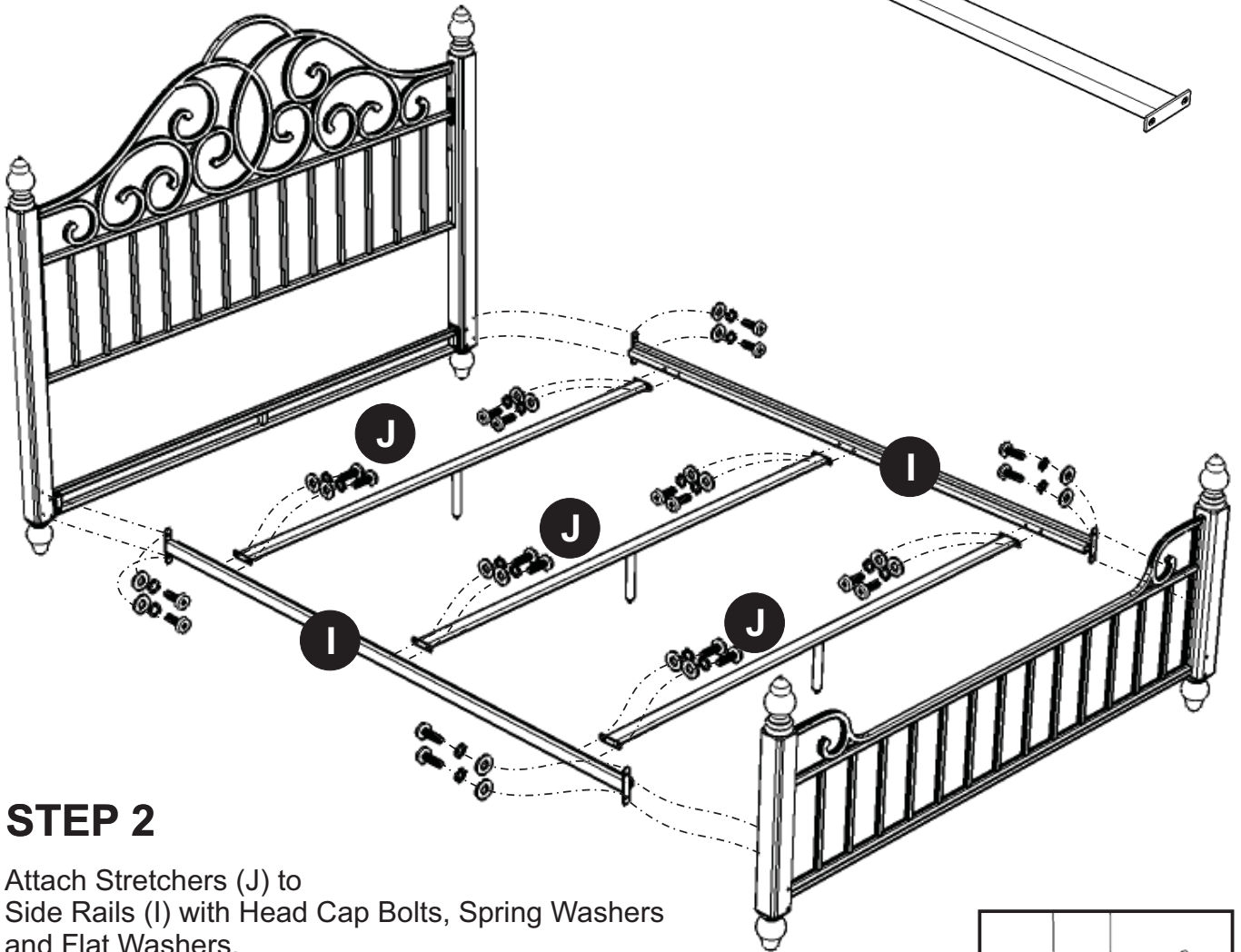
## IMPORTANT

- \* Do not tighten up all the screws until each part is properly assembled.
- \* You should keep Hex Wrench in a safe place as you may need to tighten up the Head Cap Bolts in the future.
- \* Use a soft cloth between these parts and the floor.
- \* After assembly, item must be level to work properly.  
Use the included adjustable levelers to level.



## STEP 1

Attach Legs (K) to Stretchers (J) with Head Cap Bolts Spring Washers and Flat Washers.



## STEP 2

Attach Stretchers (J) to Side Rails (I) with Head Cap Bolts, Spring Washers and Flat Washers.

Attach Headboard and Footboard to unit with Head Cap Bolts, Spring Washers and Flat Washers.

To level the unit, adjust the adjustable levelers on the bottom of legs.  
(See figure 1)

