



SOLAR LAMP POST

US Patent # 7172307

Instruction Manual

**Models: GS-94L, GS-94S
GS-94D, GS-94T, GS-94W, GS-94P,
GS-94F**



GS-94L



GS-94S



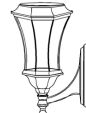
GS-94D



GS-94T



GS-94P



GS-94W



GS-94F

Introduction

Thank you for your purchase. **GAMA SONIC®** solar charged accent lighting eliminates the problems associated with most solar lighting available today. **GAMA SONIC®** solar charged lights are brighter and last all night with a typical solar charge. Unique design, superior light output and numerous installation options confirm the outstanding value of the product.

GAMA SONIC® has been recognized as a worldwide leader in the lighting industry for over 20 years. The company also offers unique multi-purpose rechargeable products that range from party lights to emergency lighting products.

For technical assistance and more information call our Toll Free number:

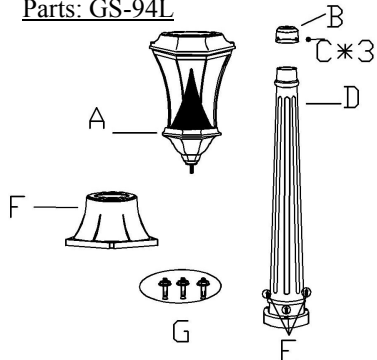
800-835-4113 (only within the US) or visit our website at:

www.gamasonic.com.

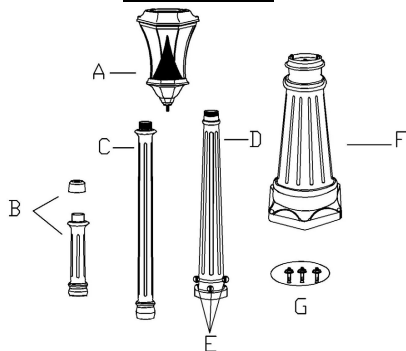
Please read the instruction manual carefully to obtain the best results from your purchase.

Unpack and identify the following components.

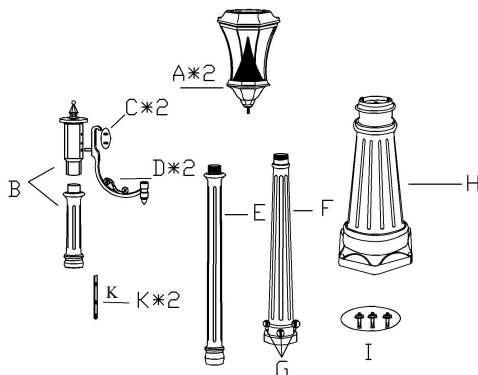
Parts: GS-94L



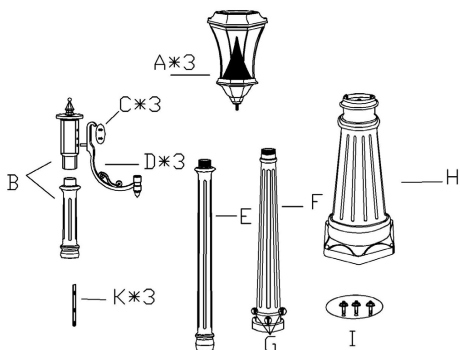
Parts: GS-94S



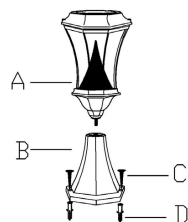
Parts: GS-94D



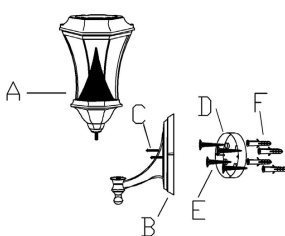
Parts: GS-94T



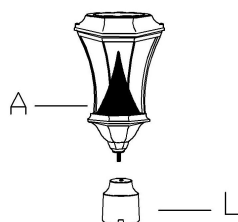
Parts: GS-94P



Parts: GS-94



GS-94F



Tools that needed but not supplied with the high post solar lamp set are: a screw driver, a wrench and an electrical drill that will be used to anchor the lamp base to the ground.

Solar Light Location

It's important to mount your solar lamp post in a spot where it will receive maximum sunlight throughout the day. Shadows cast by your home; trees and other structures will move and lengthen during the day. So please consider this before deciding on a location.

Assembly Instructions

GS-94L and GS-94S

NOTE: The following steps are for reference only. Consult your local hardware store for the best installation method for your particular surface.

1. Use the electrical drill to make three holes in concrete floor, which shall be similar to but smaller than the screws (G). The holes shall be lined up with the holes of the lamp base (F).
2. Put the fastening screws (G) into the holes with their ends facing up (Fig. 1-2).
3. Secure the screws to the lamp base using a wrench.
4. Make sure the lamp base (F) is stable before installing Part (D) to the lamp base by using 3 supplied screws.
5. GS-94L: Then screw part (A) into part (B) and part (B) to Part (D). (Fig 3).
6. GS-94S: Then screw part (A) into Part (H), part (H) to part (B), part (B) to part (C), part (C) to part (D). (Fig. 4).
7. Turn the On/Off switch in the lamp head (A) to ON position according Fig. 4 and 5.
8. Be sure to place your lamp post in a spot where it can receive maximum sunlight throughout the day. It will turn on automatically at night.

NOTE: The solar light must be charged for two sunny days for best results.

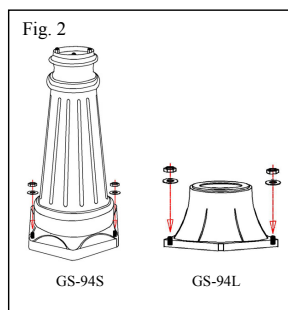
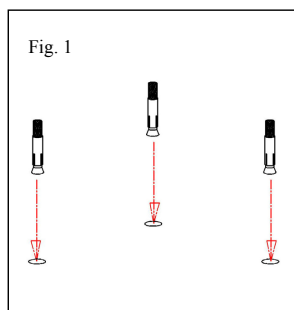


Fig. 3 – GS-94L

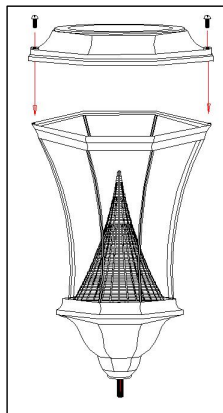
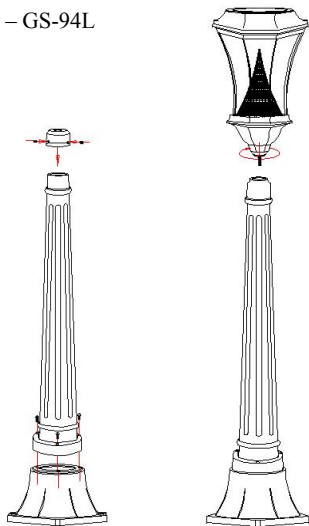


Fig. 4

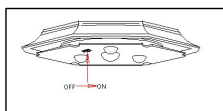
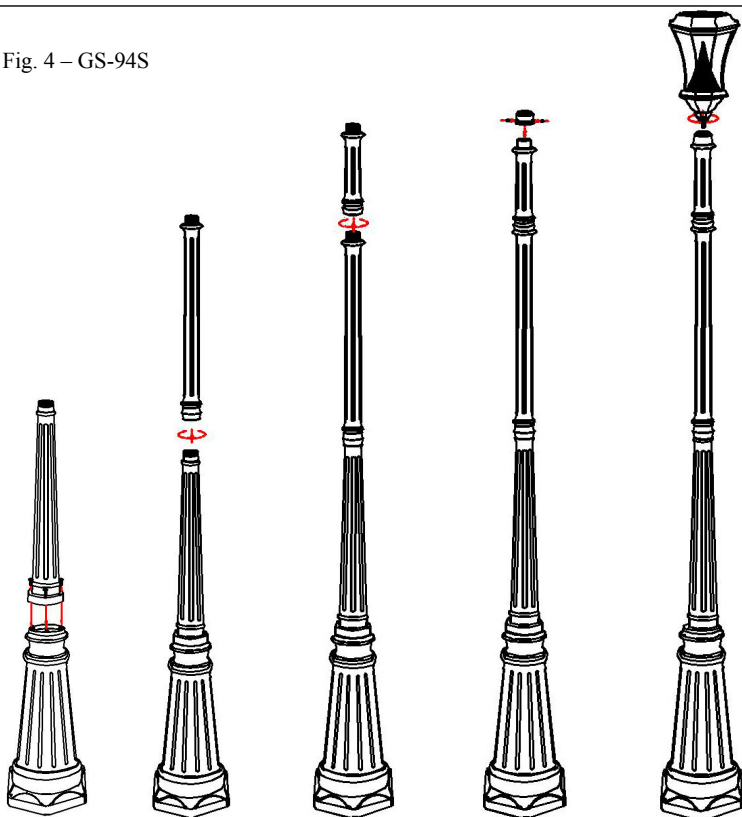


Fig. 5

Fig. 4 – GS-94S

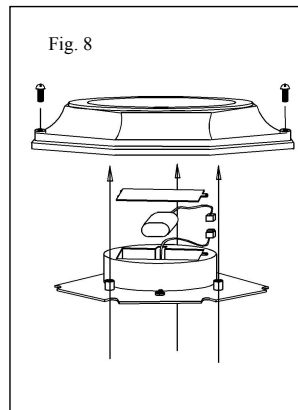
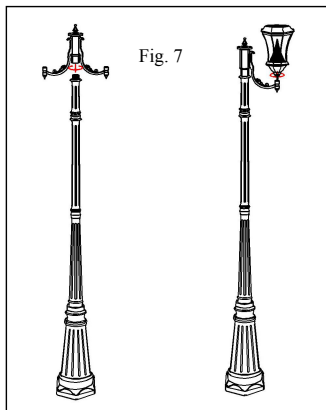
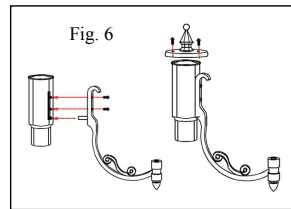
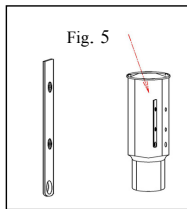


GS-94D and GS-94T

NOTE: The following steps are for reference only. Consult your local hardware store for the best installation method for your particular surface.

1. Do steps 1 to 5 as described in models GS-94L and GS-94D.
2. Insert part (K) into part (B) as shown in Fig. 5.
3. Screw part (D) into part (B) using the screws (C) provided and screw the top cup as shown in Fig. 6 . Repeat these steps twice in model GS-94D and 3 times in model GS-94T.
4. Screw part (A) twice in model GS-94D, 3 times in model GS-94T as shown in Fig. 7, and screw the whole top into part (B).
5. Turn the On/Off switch in the lamp head (A) to ON position according Fig. 4 and 5.
6. Be sure to place your lamp post in a spot where it can receive maximum sunlight throughout the day. It will turn on automatically at night.

NOTE: The solar light must be charged for two sunny days for best results.



GS-94W, GS-94P and GS-94F

Screw part (A) into Part (B) and turn the On/Off switch in the lamp head (A) to ON position according Fig. 4 and 5.

Be Sure to place your lamp post in a spot where it can receive maximum sunlight throughout the day. It will turn on automatically at night.

Replacing the Batteries

(After several years of use, the batteries may need replacing)

1. Detach the top of the lamp unit (A) by releasing the 2 screws and twisting it counter-clockwise (as shown in Fig. 8).
2. Make sure the selector switch is in “OFF” position.
3. Releasing the 3 screws on the silver reflector and Remove the old Batteries. Make sure the new batteries are high quality Ni-Mh AA rechargeable pack batteries.
4. Install the new batteries into the battery compartment, ensuring the correct polarity is observed.
5. Reassemble the unit by reversing the above procedure.

WARNING: Do not dispose of Ni-Mh batteries in the regular trash, municipal waste stream or by fire as batteries may leak or explode. Do not open, short circuit, or mutilate batteries as injury may occur. Preserve our environment by recycling Ni-Mh batteries or disposing of them in accordance with local, State and federal regulations. Do not mix old and new batteries. Do not mix Alkaline, Standard (Carbon-Zinc) or rechargeable (Nickel Cadmium) batteries.

Maintenance

Clean the solar module regularly with a damp towel to guarantee optimum performance of the solar panel. Do not use any type of solvent for cleaning and be careful not to put too much pressure on the module while cleaning.

Trouble Shooting

If your solar charged light does not come on at dusk despite observance of all the instructions, please try the following steps:

1. Make sure that the solar light is not being affected by any other light source.
2. Ensure the solar light is not positioned in the shade during the day.
3. Make sure the switch is in “AUTO” position.
4. Check that the batteries are installed correctly.

NOTE: The performance of the solar light will vary with the time of year. It will deliver more light when it has had a full day in the sun rather than a day in overcast weather.

WINTERTIME TIPS: Keep snow and debris cleaned off the solar panels so the batteries can recharge. If the lights are covered with snow for an extended period of time, after the snow melts, allow all the batteries to charge in full, direct sunlight for at least 6 hours to their maximum capacity.

WARNING: Please keep out of reach of children.

