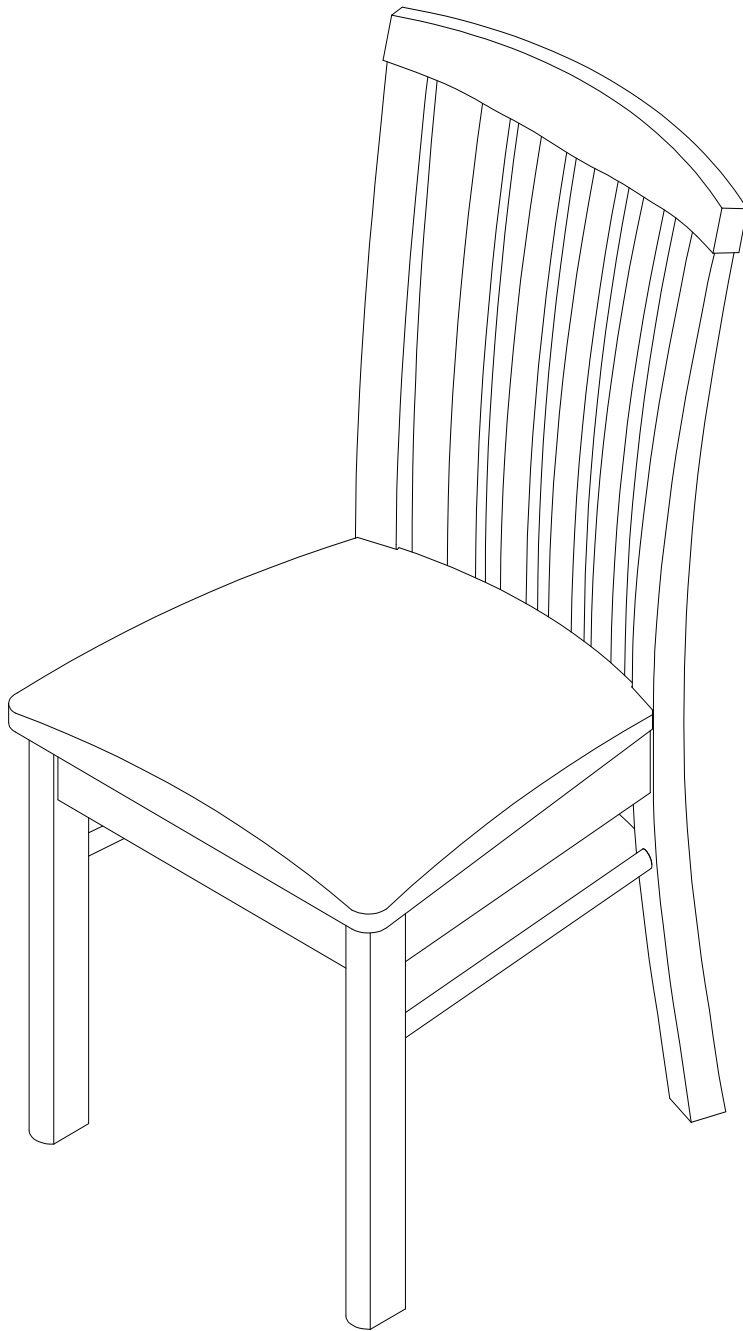


ASSEMBLY INSTRUCTIONS



Description : HARTLAND CHAIR WITH CUSHION SEAT

Dimension : W.17"1/2xD.21"xH.38"

Cube Size : 40.1"x18.8"x9.1"

NW: 30.8 LBS

GW: 35.2 LBS

HARTLAND CHAIR WITH CUSHION SEAT

BEFORE SSEMBLY

Thank you for purchasing this quality product. This product has been designed for easy assembly and constructed for durability. Please take the time to read and follow the assembly instructions carefully.

Be sure to check all packing material carefully for small parts which may have come loose inside the carton during shipment. Please separate, identify, and count all parts and metal hardware. Compare with part list to be sure all parts are present. If hardware is missing or you have difficulty assembling this product, please call for us.

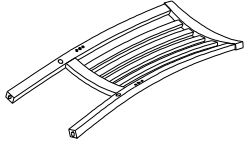
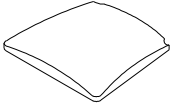
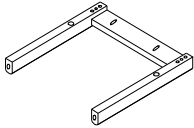
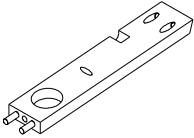
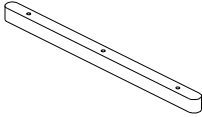
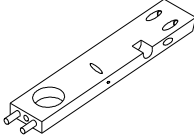
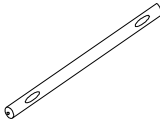
IMPORTANT NOTE:

- Place all wooden parts on a clean and smooth surface such as a rug or carpet to avoid the parts from being scratched.
- Remove all wrapping material, including staples & packing straps before you start to assemble.
- DO NOT tighten all screws and bolts until completely assembled.
- Keep all hardware parts out of reach of children.



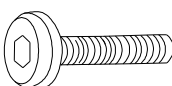



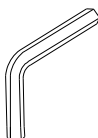
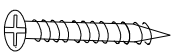
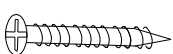
PART LIST

When unpacking, please be careful not to discard any parts with the packaging. Before continuing, please make sure you have the following parts:

NO	Description	Qty	Sketch	NO	Description	Qty	Sketch
A	Chair back	1		B	Cushion Seat	1	
C	Front frame	1		D-L D-R	Side Rail	1	
E	Support bar	1				1	
F	Side stretcher (L-R)	2					

HARDWARE LIST

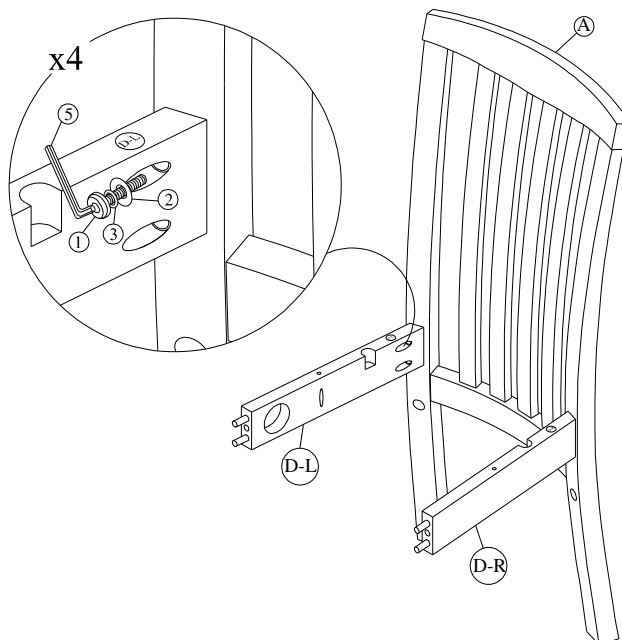
When unpacking, please be careful not to discard any parts with the packaging. Before continuing, please make sure you have all of the following hardware:

NO	Description	Qty	Sketch	NO	Description	Qty	Sketch
1	Bolt (M6x45mm)	6		2	Flat Washer (φ6.5x13mm)	4	
3	Lock Washer (φ6.5x9mm)	4		4	Curve Washer	2	
5	Allen Key (4mm)	1		6	Short Screw (M5x30mm)	7	
7	Long Screw (M4x35mm)	4					

STEP 1

Attach Side Rail (D-L) and (D-R) to the Back (A) with Bolts (1), and Washers (2) and (3). Tighten with the Allen Key (5)

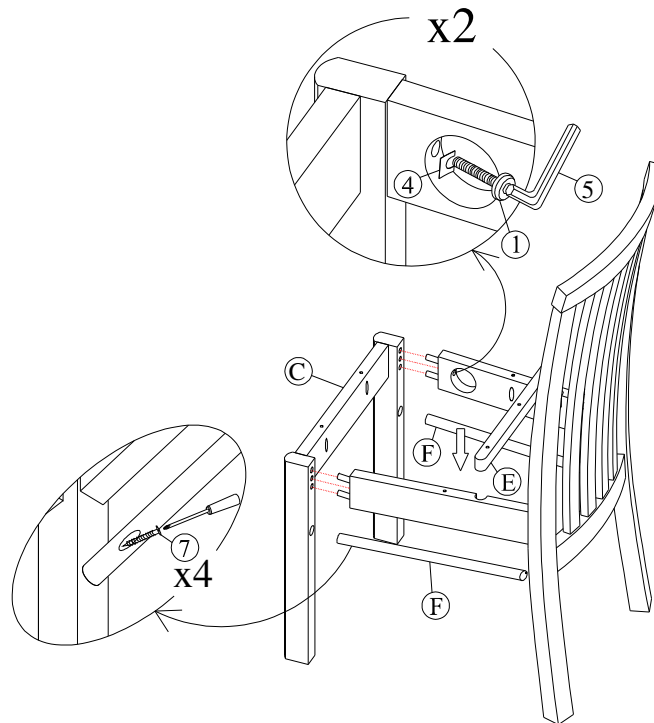
Note: DO NOT fully tighten any of the bolts, until the chair is assembled, then put on a flat level surface to make sure the chair is level and then tighten the bolts.



STEP 2

Attach Front frame (C) to Side Rail (from Step 1) with bolts (1) and Curve Washers (4). Tighten with the Allen Key (5). Place side stretchers (F) between front and back legs use the screw driver to tighten the screws (7). Attach support bar (E) to side aprons as drawing.

Note: DO NOT tighten any of the bolts, until Place side stretcher (F) between front and back legs the chair is assembled, then tighten the bolts and the screws.



STEP 3

Attach the Seat (B) to top of the seat frame (from Step 2) by using Screws (6). Tighten with a screw driver.

