

DOREL ASIA

5PC METAL DINING SET WITH FAUX MARBLE TABLE TOP

Model No:
WM6076

UPC CODE:
0-65857-16261-5



NOTE:
THIS INSTRUCTION BOOKLET
CONTAINS **IMPORTANT** SAFETY
INFORMATION. PLEASE READ AND
KEEP FOR FUTURE REFERENCE.

Lot number:
(TAKEN FROM CARTON)

Date of purchase:
____ / ____ / ____

DO NOT RETURN PRODUCT TO THE STORE.
If a part is missing or damaged, contact our customer service
department. We will replace the part **FREE** of charge.



Tel #: 1-800-295-1980
E-Mail: das@dorel.com
Fax #: 514-353-7819

CUSTOMER SERVICE

If you are missing parts or have any questions about this product, contact our customer service representative



CALL 1-800-295-1980

You can also order parts by writing to the address listed below. Please include the product model number, color and a detailed description of the part.

**Customer Service Department No. 413
12345 Albert-Hudon Boulevard, Suite 100
Montreal, Quebec
Canada H1G 3L1
E-MAIL: das@dorel.com**

NOTES:

- * Ensure all parts and components are present before beginning assembly.
- * Assemble on a soft, smooth surface to prevent damage to product finish.
- * Assembly and handling may require two people.
- * Estimated assembly time is 45 - 60 minutes.
- * Read all instructions completely before assembly.
- * **DO NOT** use power tools.
- * **CAUTION:** Adult assembly required.
- * Phillips head screw driver is not included.

CARE AND CLEANING

Dust table regularly with a soft, dry cloth to prevent soil build up. A dampened cloth may be used occasionally to clean the surface. Dry immediately and buff lightly, following the grain. Avoid using harsh cleaners and abrasive products. Use coasters to prevent the formation of moisture rings and trivets to protect from hot items. Cover extension leaves (if applicable) with a soft protective fabric before storing. Do not slide objects across the surface - always lift them. Wipe away spills immediately off the seat fabric to prevent staining. Use a cloth dampened with water or a professional product to clean the fabric. Always test an inconspicuous area first. Allow upholstery to dry and brush lightly. Keep away from heat to avoid glazing, melting or scorching.

MAINTENANCE

Check bolts/screws periodically and tighten them if necessary.

LIMITED WARRANTY

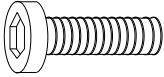
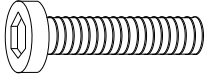
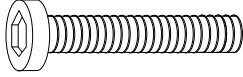
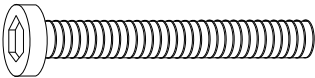
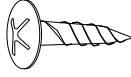
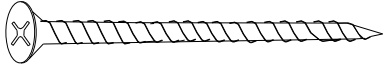
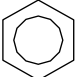
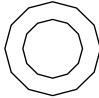
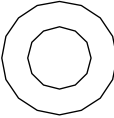


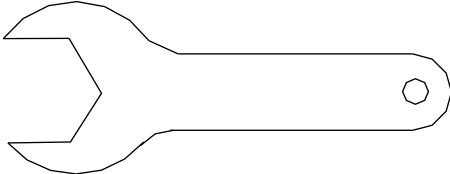
Dorel Asia warrants its product to be free from defects in material and workmanship and agrees to remedy any such defect. This warranty covers 1 year from the date of original purchase. This warranty is valid only upon presentation of proof of purchase. This is solely limited to the repair or replacement of defective furniture components and no assembly labor is included. This warranty does not apply to any product which has been improperly assembled, subjected to misuse or abuse or which has been altered or repaired in any way. Any wearing, tearing or fading of the fabric is not covered under the warranty. This warranty gives you specific legal rights and you may also have other rights which vary from State to State.



WARNING: Should this product become damaged, and/or components are broken or missing, DO NOT USE.

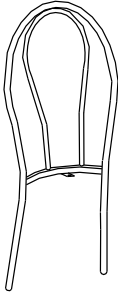
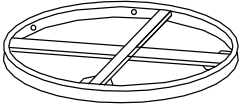


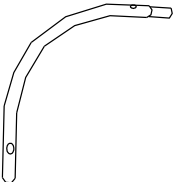
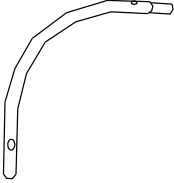
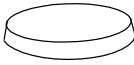
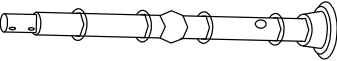
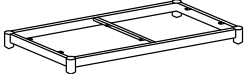

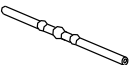
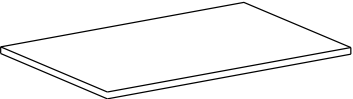
5PC METAL DINING SET WITH FAUX MARBLE TABLE TOP WM6076

HARDWARE LIST

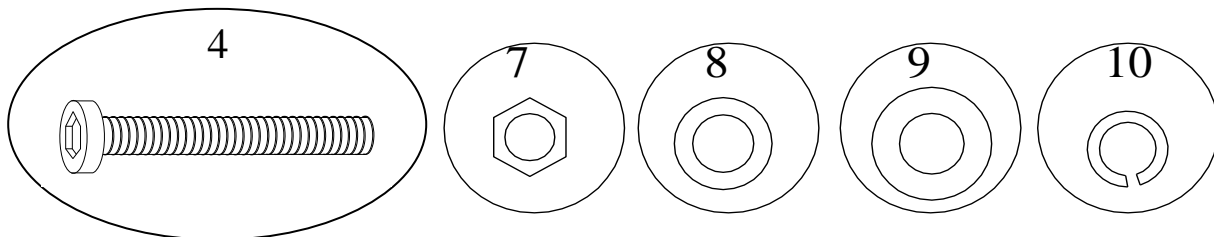
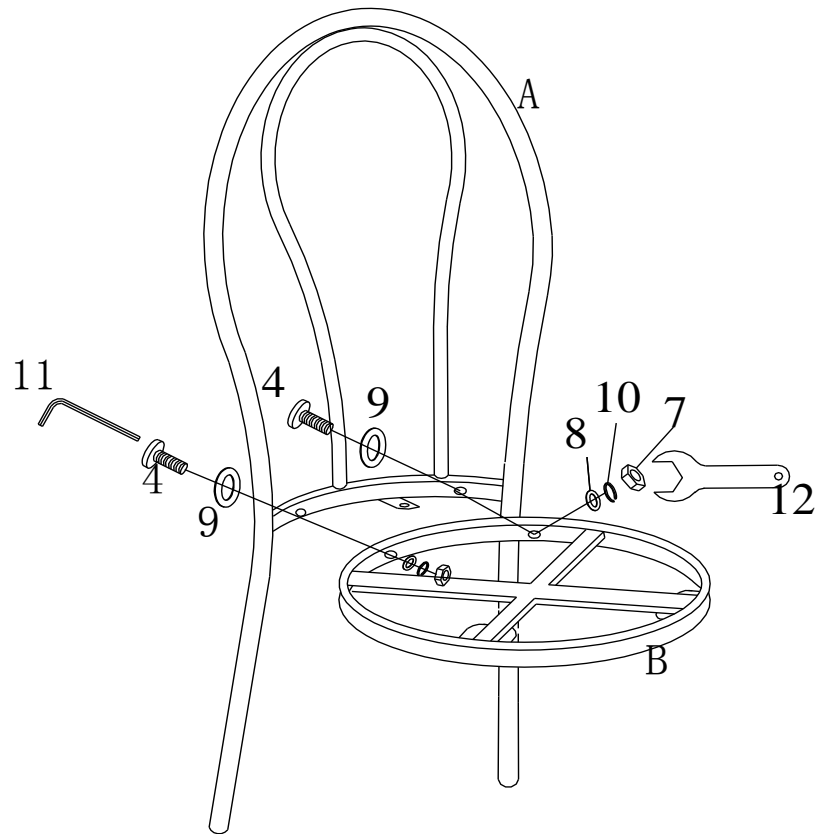
<p>1</p>  <p>$\Phi \frac{1}{4}'' \times \frac{5}{8}''$</p>	<p>2</p>  <p>$\Phi \frac{1}{4}'' \times \frac{13}{16}''$</p>	<p>3</p>  <p>$\Phi \frac{1}{4}'' \times 1''$</p>	
<p>BOLT 40 PCS</p>	<p>BOLT 26 PCS</p>	<p>BOLT 2 PCS</p>	
<p>4</p>  <p>$\Phi \frac{1}{4}'' \times 1\frac{3}{8}''$</p>	<p>5</p>  <p>$\Phi \frac{3}{16}'' \times \frac{1}{2}''$</p>	<p>6</p>  <p>$\Phi \frac{5}{32}'' \times 1\frac{13}{16}''$</p>	
<p>BOLT 8 PCS</p>	<p>WOOD SCREW 6 PCS</p>	<p>PHILLIPS HEAD SCREW 16 PCS</p>	
<p>7</p>  <p>$\Phi \frac{1}{4}''$</p>	<p>8</p>  <p>$\Phi \frac{1}{2}''$</p>	<p>9</p>  <p>$\Phi \frac{5}{8}''$</p>	<p>10</p>  <p>$\Phi \frac{3}{8}''$</p>
<p>NUT 10 PCS</p>	<p>FLAT WASHER 20 PCS</p>	<p>FLAT WASHER 32 PCS</p>	<p>SPRING WASHER 20 PCS</p>
<p>11</p> 		<p>12</p> 	
<p>ALLEN KEY 1 PC</p>		<p>OPEN WRENCH 1 PC</p>	

5PC METAL DINING SET WITH FAUX MARBLE TABLE TOP WM6076

PARTS LIST

<p>A</p> 	<p>B</p> 	<p>C</p> 
<p>BACK FRAME 4 PCS</p>	<p>SEAT FRAME 4 PCS</p>	<p>CHAIR LEG 8 PCS</p>
<p>D</p> 	<p>E</p> 	<p>F</p> 
<p>FRONT CONNECTING ROD 4 PCS</p>	<p>LEFT CONNECTING ROD 4 PCS</p>	<p>RIGHT CONNECTING ROD 4 PCS</p>
<p>G</p> 	<p>H</p> 	<p>I</p> 
<p>SEAT CUSHION 4 PCS</p>	<p>TABLE LEG 4 PCS</p>	<p>TABLE TOP FRAME 1 PC</p>
<p>J</p> 	<p>K</p> 	<p>L</p> 
<p>CONNECTING ROD 2 PCS</p>	<p>STRETCHER 2 PCS</p>	<p>TABLE TOP 1 PC</p>

5PC METAL DINING SET WITH FAUX MARBLE TABLE TOP WM6076



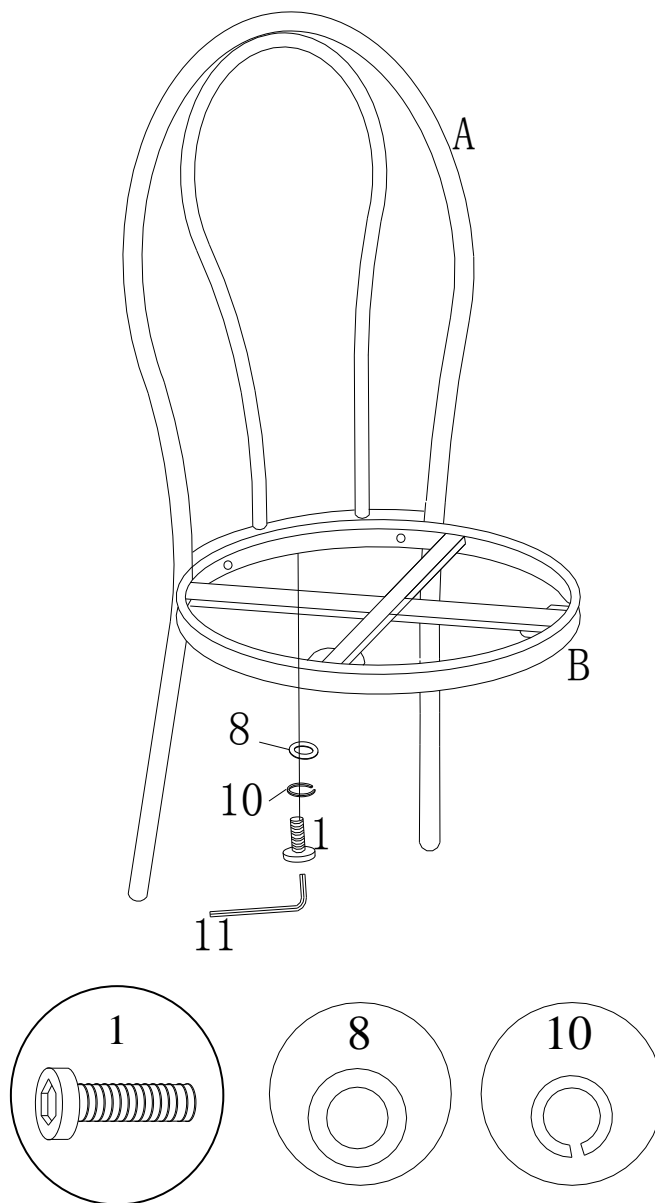
STEP 1

Attach the seat frame (B) to the back frame (A) with bolts (4), flat washers (8 & 9), spring washers (10) and nuts (7).

Use Allen Key (11) to tighten the bolts and open wrench (12) to tighten the nuts.

NOTE: Do not fully tighten bolts. Leaving the bolts loose will facilitate assembly in the following steps.

5PC METAL DINING SET WITH FAUX MARBLE TABLE TOP WM6076

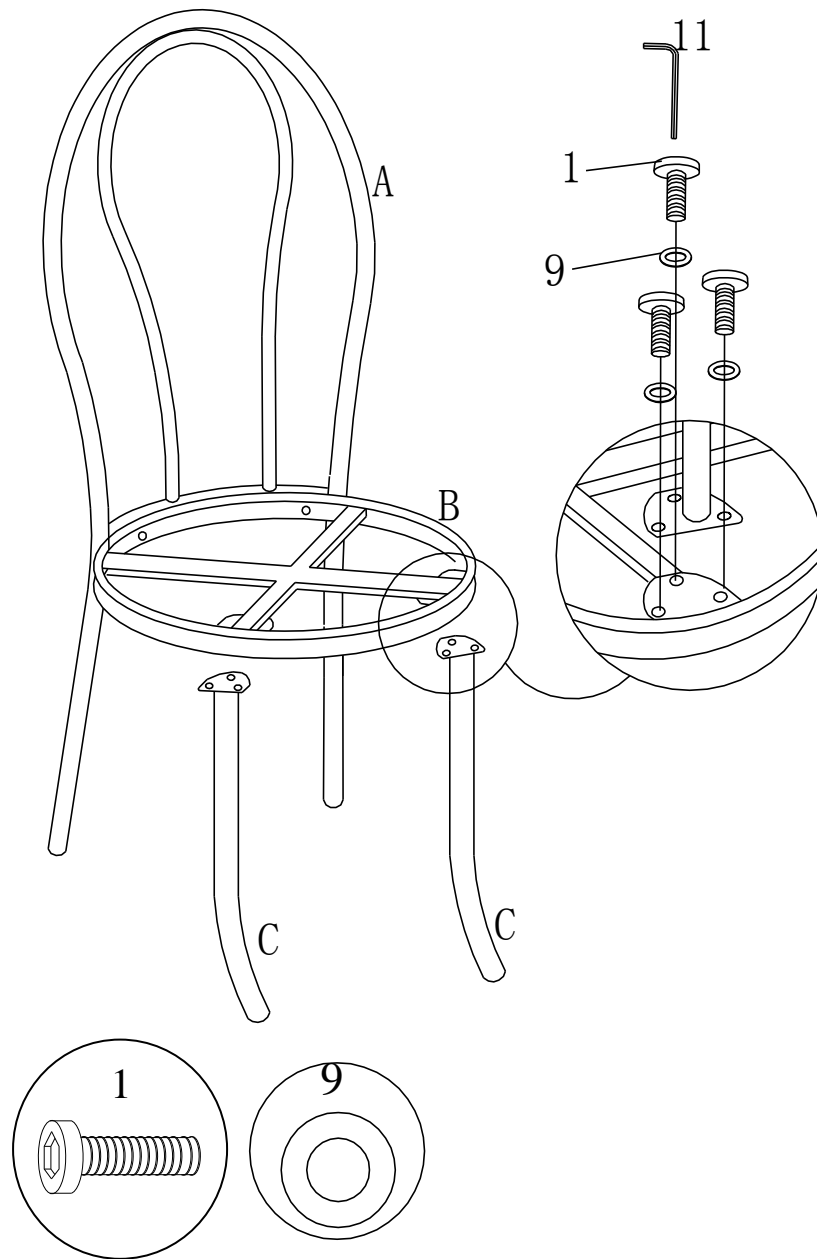


STEP 2

Secure the seat frame (B) to the metal sheet of the back frame (A) with bolt (1), spring washer (10) and flat washer (8). Use Allen Key (11) to tighten the bolt.

NOTE: Do not fully tighten bolts. Leaving the bolts loose will facilitate assembly in the following steps.

5PC METAL DINING SET WITH FAUX MARBLE TABLE TOP WM6076

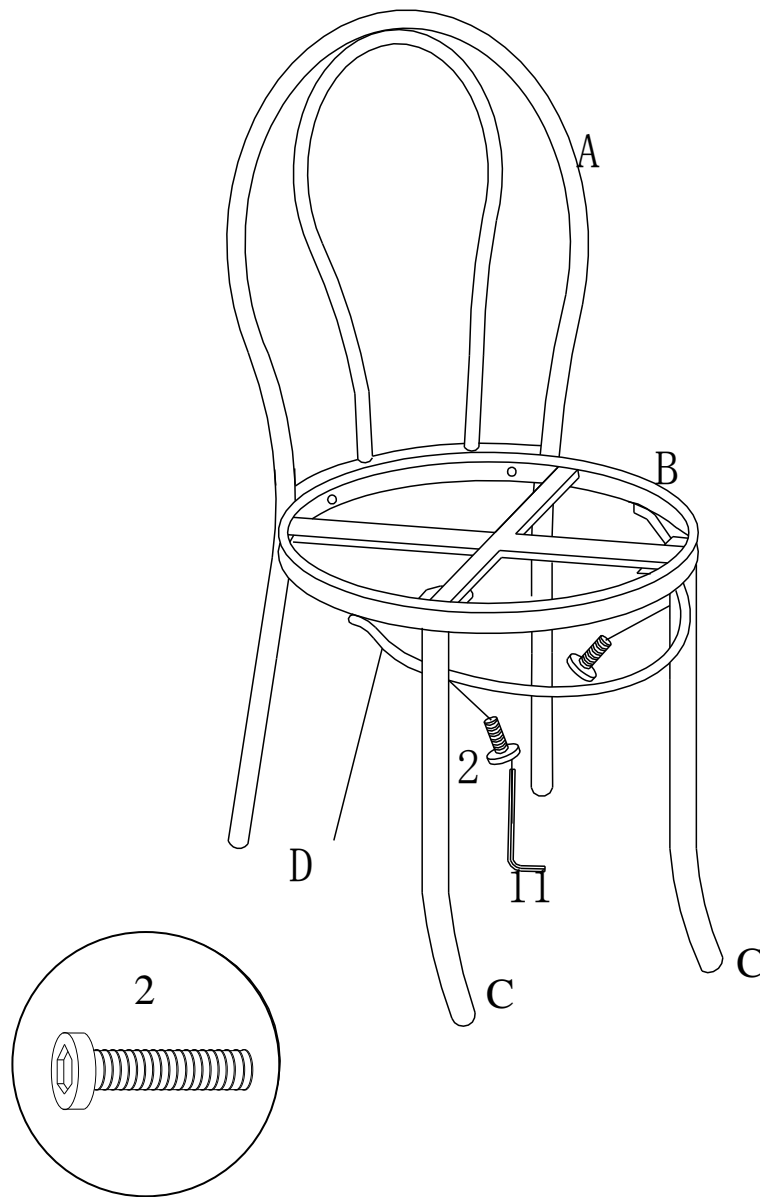


STEP 3

Attach the chair legs (C) to the seat frame (B) with bolts (1) and flat washers (9). Use Allen Key (11) to tighten the bolts.

NOTE: Do not fully tighten bolts. Leaving the bolts loose will facilitate assembly in the following steps.

5PC METAL DINING SET WITH FAUX MARBLE TABLE TOP WM6076

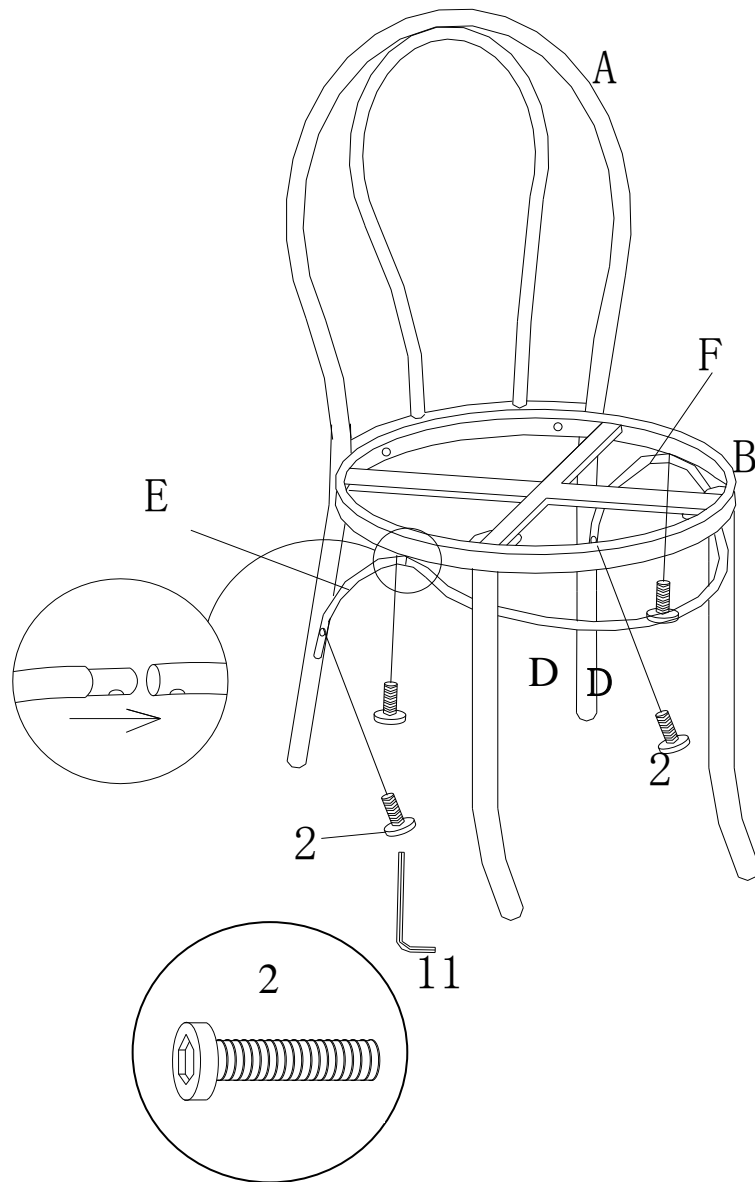


STEP 4

Attach the front connecting rod (D) to the chair legs (C) with bolts (2) and Allen Key (11).

NOTE: Do not fully tighten bolts. Leaving the bolts loose will facilitate assembly in the following steps.

5PC METAL DINING SET WITH FAUX MARBLE TABLE TOP WM6076

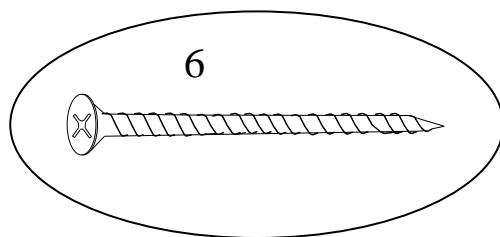
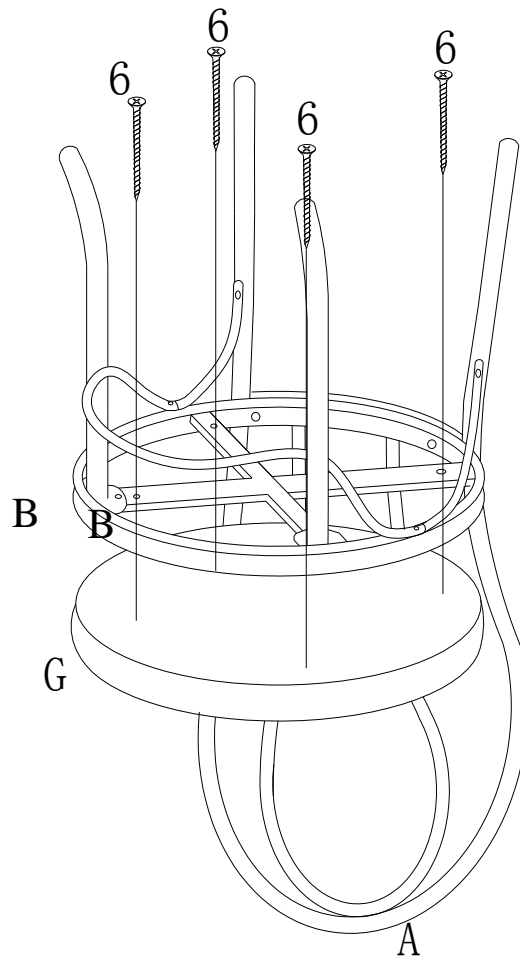


STEP 5

Insert the left and right connecting rods (E & F) into the front connecting rod (D).
Attach the left and right connecting rods (E & F) to the seat frame (B) and back frame (A)
with bolts (2) and Allen Key(11).

NOTE: Tighten all bolts previously installed.

5PC METAL DINING SET WITH FAUX MARBLE TABLE TOP WM6076

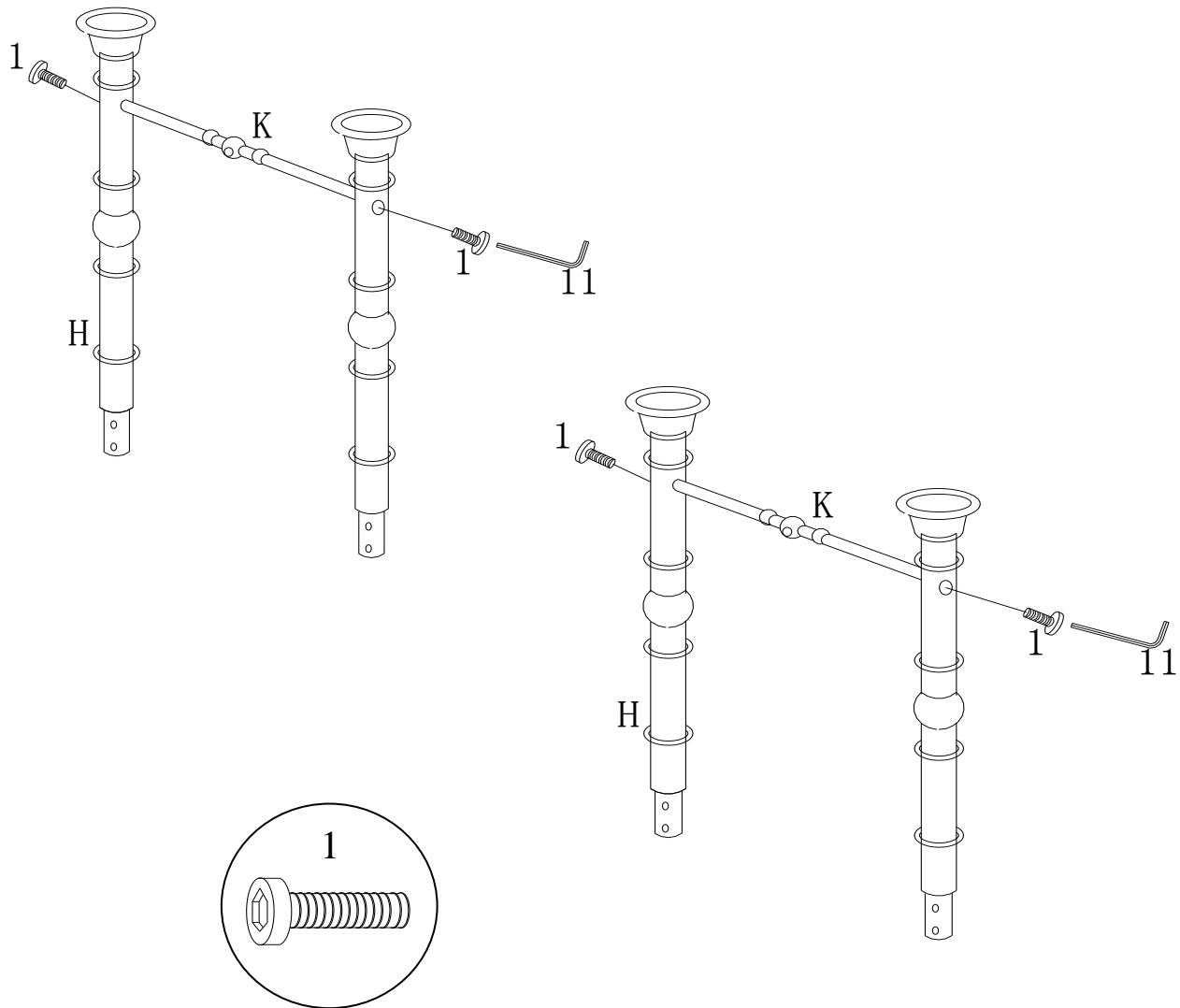


STEP 6

Attach the seat cushion (G) to the seat frame (B) with Phillips head screws (6) as shown. Use a Phillips head screwdriver (not included) to tighten them.

Repeat step 1 to 6 to assemble the other 3 chairs.

5PC METAL DINING SET WITH FAUX MARBLE TABLE TOP WM6076



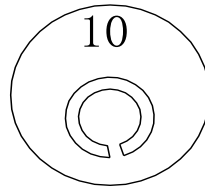
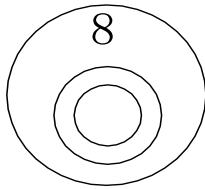
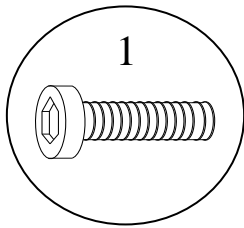
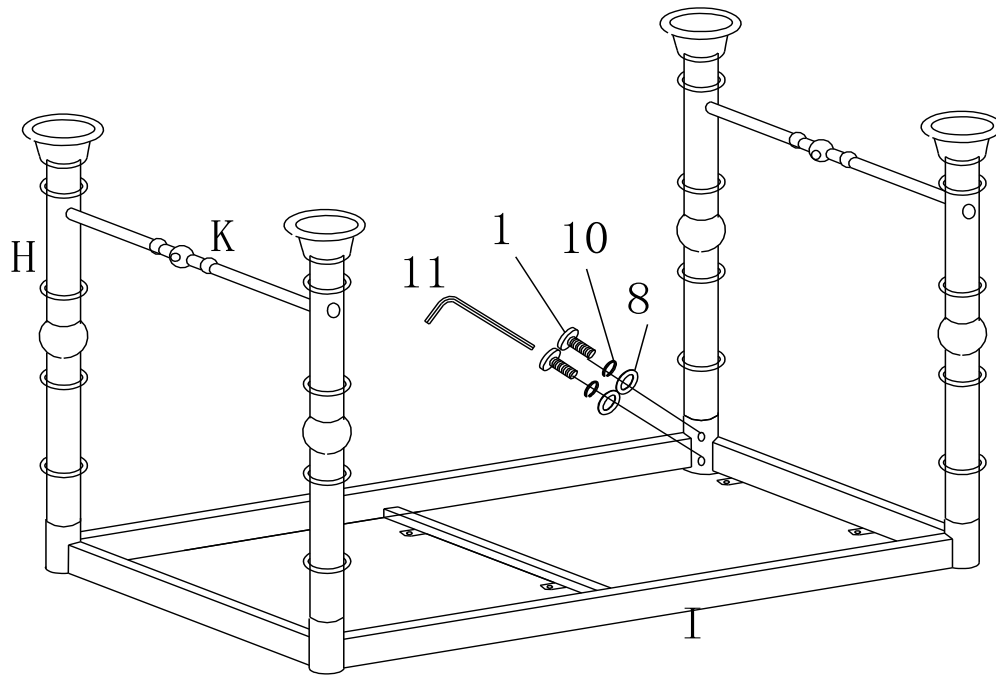
STEP 7

Attach the stretchers (K) to the table legs (H) with bolts (1) using Allen Key (11).

NOTE: Do not fully tighten the bolts. Leaving the bolts loose will facilitate assembly in the following steps.

5PC METAL DINING SET WITH FAUX MARBLE TABLE TOP

WM6076

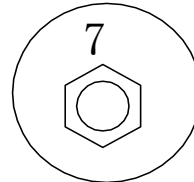
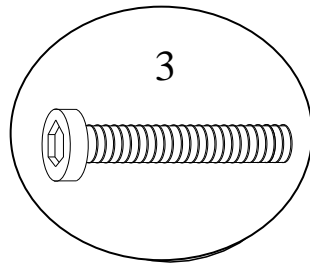
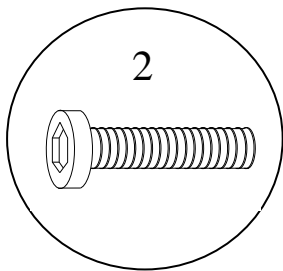
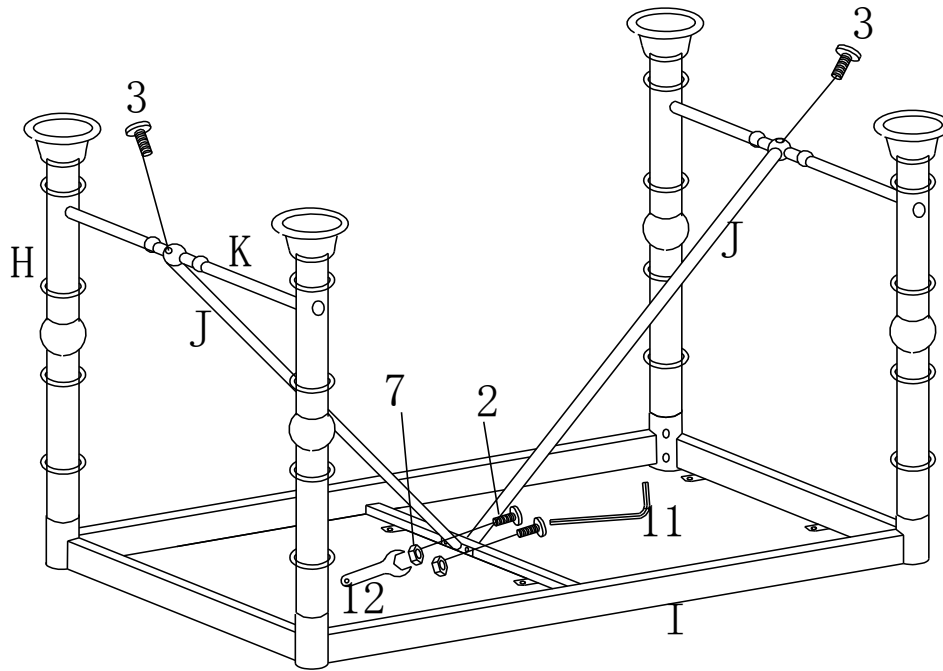


STEP 8

Place the table top frame (I) upside down on a clean, smooth surface. Attach the table legs (H) to the table top frame (I) with bolts (1), spring washers (10) and flat washers (8). Use Allen Key (11) to tighten the bolts.

NOTE: Do not fully tighten bolts. Leaving the bolts loose will facilitate assembly in the following steps.

5PC METAL DINING SET WITH FAUX MARBLE TABLE TOP WM6076

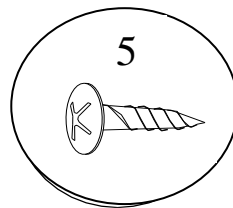
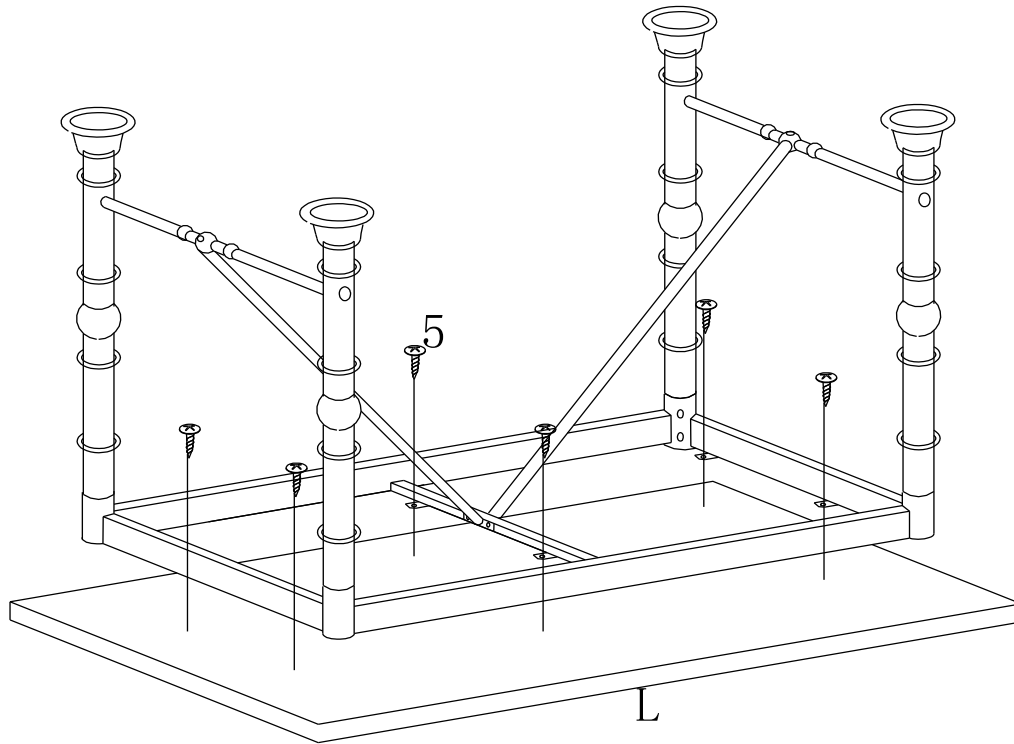


STEP 9

Attach connecting rods (J) to the table top frame (I) with bolts (2) and nuts (7).
Attach connecting rods (J) to stretchers (K) with bolts (3).
Use Allen Key (11) and open wrench (12) to tighten the bolts and nuts.

NOTE: Tighten all the bolts previously installed.

5PC METAL DINING SET WITH FAUX MARBLE TABLE TOP WM6076



STEP 10


With the help of another person, place the table top (L) upside down on a clean, smooth surface and place the assembled table frame on it.

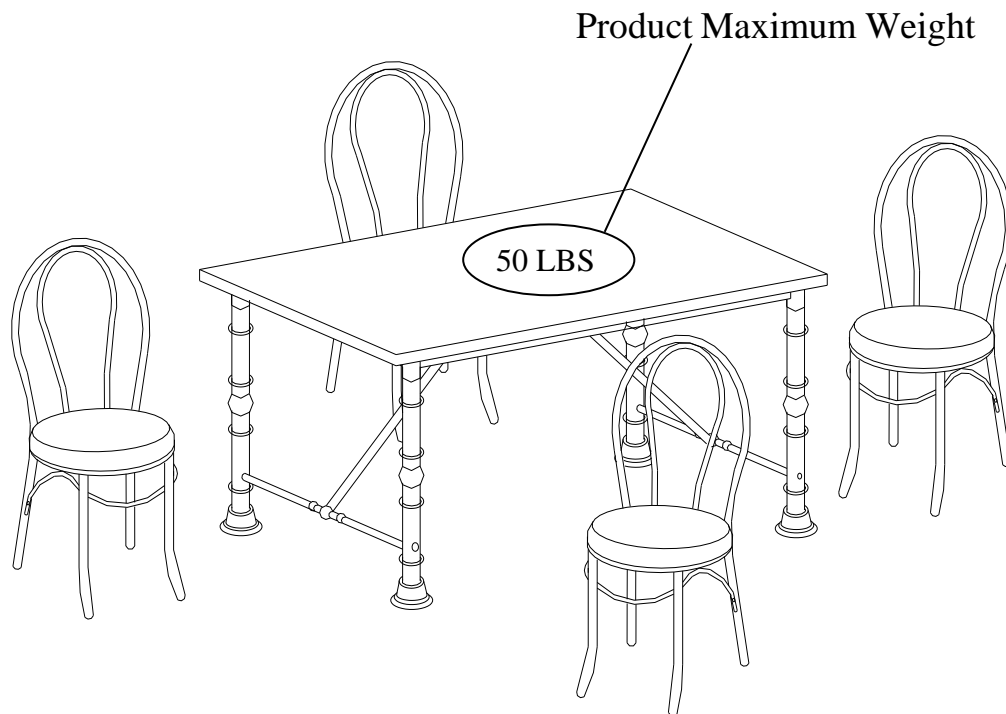
Attach the table top (L) to the table frame with wood screws (5).

Use a Phillips head screwdriver (not included) to tighten the screws.

Turn the table upright.

5PC METAL DINING SET WITH FAUX MARBLE TABLE TOP WM6076

 **CAUTION:** This unit is intended for use only with the products and/or maximum weights indicated. Use with other products and/or products heavier than the maximum weights indicated may result in instability or cause possible injury.



That's it ! You've finished assembling your dining set.

DO NOT RETURN PRODUCT TO THE STORE.

If a part is missing or damaged, contact our customer service department. We will replace the part **FREE** of charge.



Tel #: 1-800-295-1980
E-Mail: das@dorel.com
Fax #: 514-353-7819

MODEL #: WM6076

Customer Service

PLEASE DO NOT RETURN THIS PRODUCT TO THE STORE

PLEASE CONTACT CUSTOMER SERVICE REPRESENTATIVES AT THE FOLLOWING NUMBERS SHOULD THERE BE ANY MISSING OR DEFECTIVE PART(S).

Customer Service Phone Number 1-800-295-1980

Email: das@dorel.com

Customer Service Fax Number 514-353-7819

Request Date:

Name:

Shipping Address:

Street & Number:

City & State:

Zip Code:

Day Time Phone Number:

(including area code)

Date & Place of Purchase:

Part(s) description and quantity: (Please be sure to list model number or SKN number)

Customer Service Representative Mailing Address:

Customer Service Department No. 413, 12345 Albert-Hudon Boulevard, Suite 100, Montreal, QC, Canada, H1G 3L1