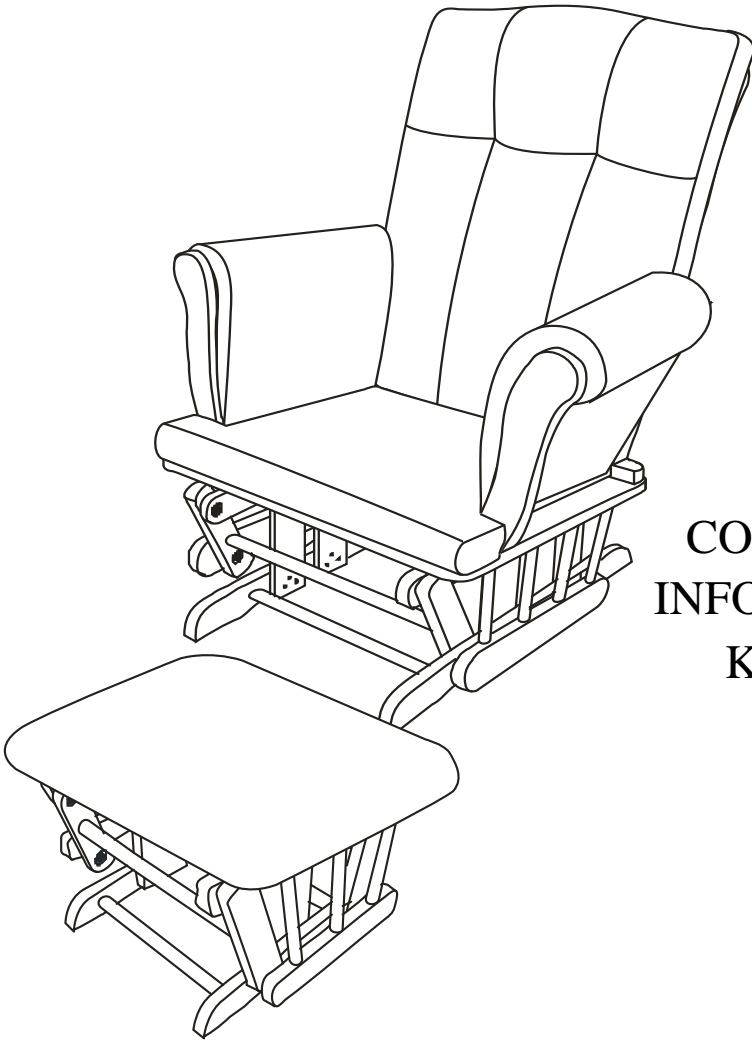


DOREL ASIA

GLIDER ROCKER & OTTOMAN

Model No:

WM4041



UPC CODE:

0-65858-16017-8

NOTE:

THIS INSTRUCTION BOOKLET
CONTAINS **IMPORTANT** SAFETY
INFORMATION. PLEASE READ AND
KEEP FOR FUTURE REFERENCE.

Lot number:

(TAKEN FROM CARTON)

Date of purchase:

_____ / _____ / _____

DO NOT RETURN PRODUCT TO THE STORE.

If a part is missing or damaged, contact our customer service department. We will replace the part **FREE** of charge.



Tel #: 1-800-295-1980

E-Mail: das@dorel.com

Fax #: 514-353-7819

CUSTOMER SERVICE

If you are missing parts or have any questions about this product, contact our customer service representative first!

 **CALL 1-800-295-1980**

You can also order parts by writing to the address listed below. Please include the product model number, color and a detailed description of the part.

**Customer Service Department No. 413
12345 Albert-Hudon Boulevard, Suite 100**

Montreal, Quebec

Canada H1G 3L1

E-MAIL: das@dorel.com

WARNING

DO NOT leave children unattended on or beside the chair.

DO NOT use your chair as a step stool.

DO NOT sit on the edge of the seat, armrests or on the backrest as this could make the chair tip over.

NOTES

- * Ensure that all parts and components are located before beginning assembly.
- * Assembly may require two people.
- * Assemble on a soft surface to prevent damage to the product finish.
- * Read all instructions completely before assembly.
- * Phillips head screwdriver is not included
- * Do not use power tools.
- * CAUTION: Adult assembly required.
- * Cushions must not be machine washed. Dry clean only.
- * Estimated assembly time: 20 minutes

CARE AND CLEANING

Dust regularly with a soft, dry cloth to prevent soil build up. Wipe away spills immediately to prevent staining. Use a cloth dampened with water or a professional product to clean the fabric. Always test an inconspicuous area first. Allow upholstery to dry and brush lightly. Keep away from heat to avoid glazing, melting or scorching.

MAINTENANCE

Check bolts/screws periodically and tighten them if necessary.

LIMITED WARRANTY

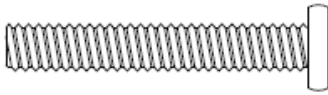

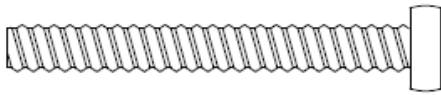



Dorel Asia warrants its product to be free from defects in material and workmanship and agrees to remedy any such defect. This warranty covers 1 year from the date of original purchase. This warranty is valid only upon presentation of proof of purchase. This is solely limited to the repair or replacement of defective furniture components and no assembly labor is included. This warranty does not apply to any product which has been improperly assembled, subjected to misuse or abuse or which has been altered or repaired in any way. Any wearing, tearing or fading of the fabric is not covered under the warranty. This warranty gives you specific legal rights and you may also have other rights which vary from State to State.



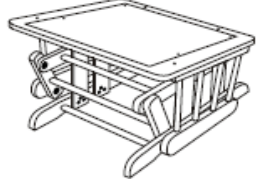

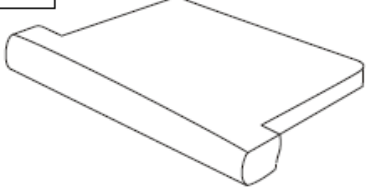
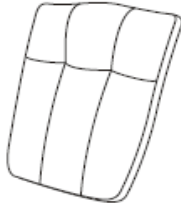

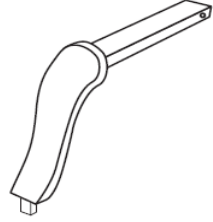
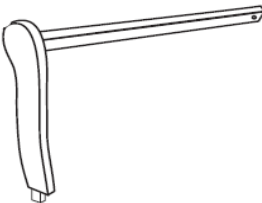

WARNING: Should this product become damaged, and/or components are broken or missing, DO NOT USE.

GLIDER ROCKER & OTTOMAN WM4041

HARDWARE LIST

<p>1</p>  <p style="text-align: center;">ø1/4" X 1-1/2"</p> <p style="text-align: center;">HEX SOCKET HEAD BOLT 2 PCS</p>	<p>2</p>  <p style="text-align: center;">ø1/4" X 1-3/4"</p> <p style="text-align: center;">HEX SOCKET HEAD BOLT 2 PCS</p>	<p>3</p>  <p style="text-align: center;">ø1/4" X 2"</p> <p style="text-align: center;">HEX SOCKET HEAD BOLT 4 PCS</p>
<p>4</p>  <p style="text-align: center;">ø1/4" X 1/2"</p> <p style="text-align: center;">SPRING WASHER 8 PCS</p>	<p>5</p>  <p style="text-align: center;">BARREL NUT 6 PCS</p>	<p>6</p>  <p style="text-align: center;">4MM</p> <p style="text-align: center;">ALLEN KEY 1 PC</p>

PARTS LIST

<p>A</p>  <p style="text-align: center;">BASE 1 PC</p>	<p>B</p>  <p style="text-align: center;">BACK FRAME 1 PC</p>	<p>C</p>  <p style="text-align: center;">SEAT CUSHION 1 PC</p>
<p>D</p>  <p style="text-align: center;">BACK CUSHION 1 PC</p>	<p>E</p>  <p style="text-align: center;">ARM CUSHION 2 PCS</p>	<p>FL</p>  <p style="text-align: center;">LEFT ARM ASSEMBLY 1 PC</p>
<p>FR</p>  <p style="text-align: center;">RIGHT ARM ASSEMBLY 1 PC</p>	<p>G</p>  <p style="text-align: center;">OTTOMAN 1 PC</p>	

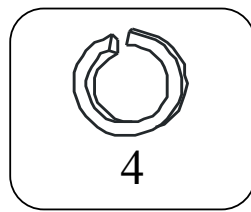
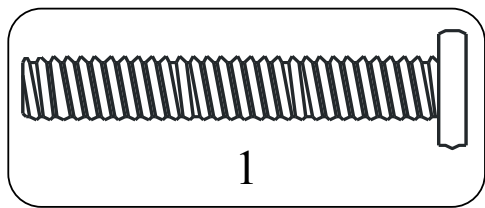
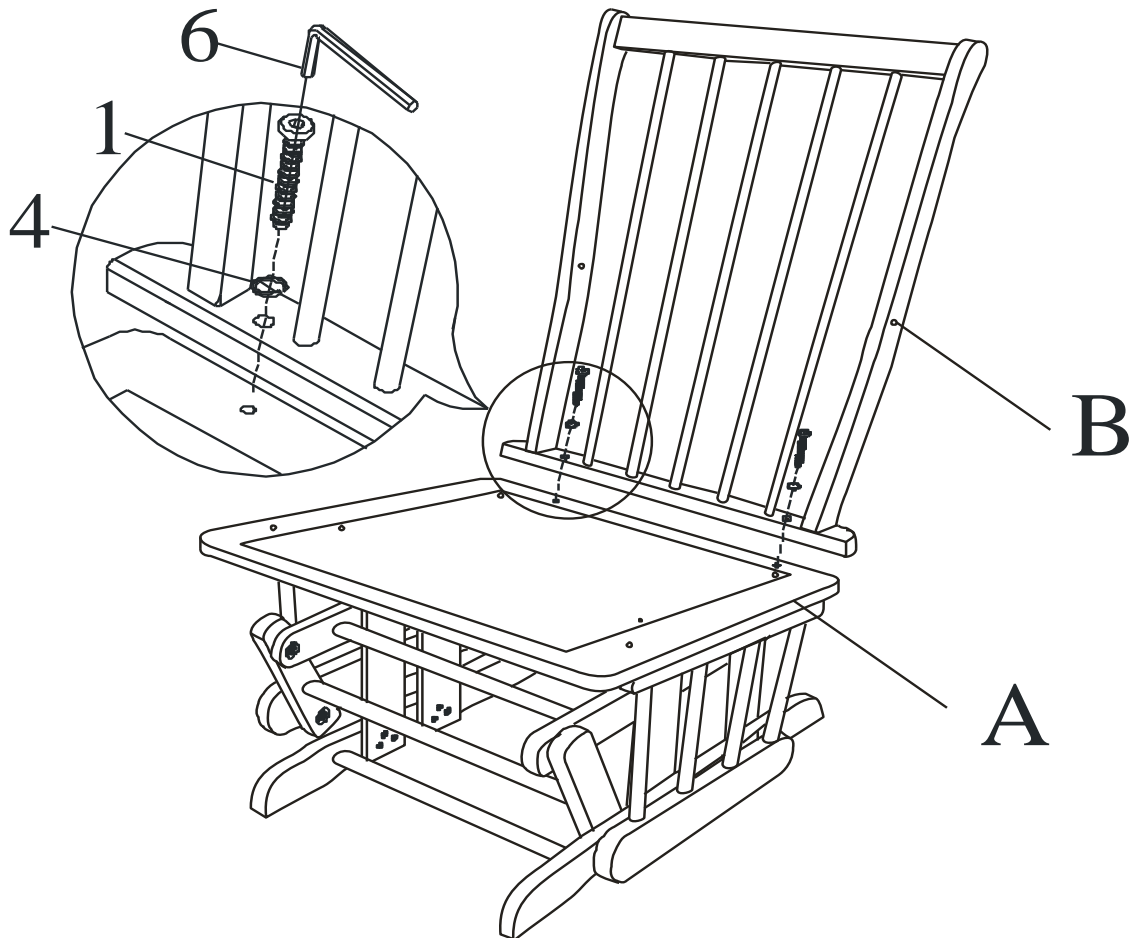
NOTE: Cushions must be dry cleaned only. DO NOT MACHINE WASH.

GLIDER ROCKER & OTTOMAN WM4041

STEP 1

Attach back frame (B) to base (A) with hex socket head bolts (1) and spring washers (4). Use Allen Key (6) to install bolts.

NOTE: Do not fully tighten the bolts. This will make it easier to attach the arms in the following step.



GLIDER ROCKER & OTTOMAN WM4041

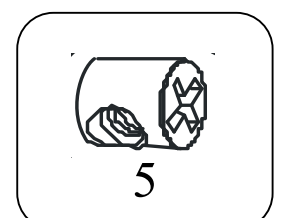
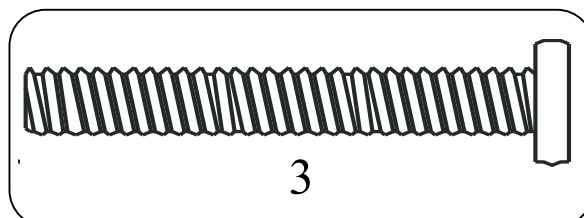
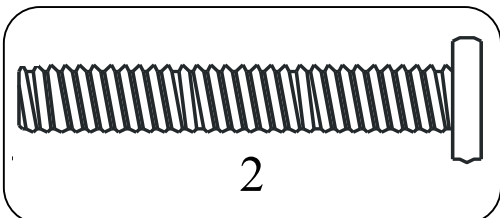
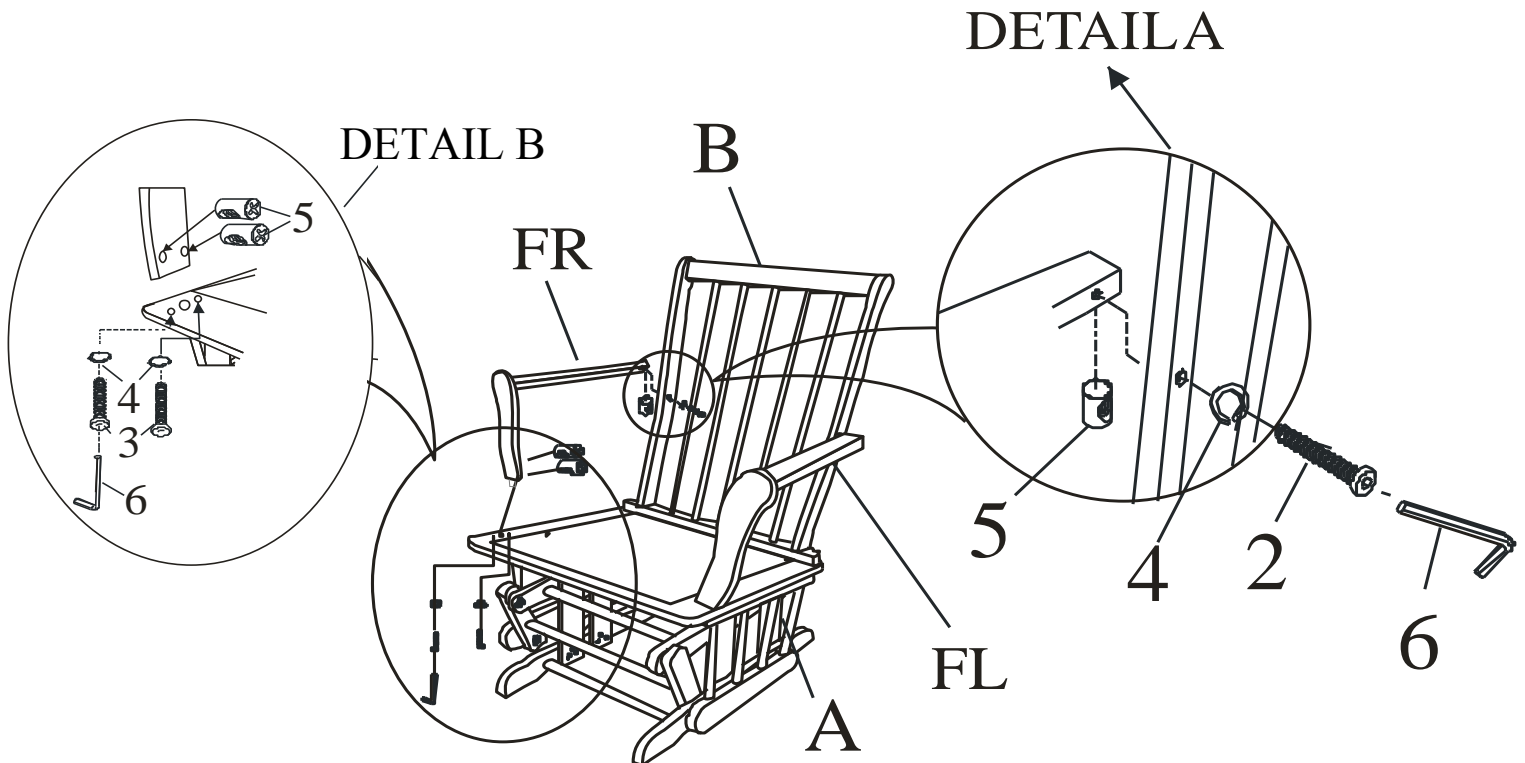
STEP 2

Attach the right arm assembly (FR) to back frame (B) with hex socket head bolt (2), spring washer (4) and barrel nut (5). Insert the barrel nut (5) into the hole underneath the armrest as per detail A. Insert the hex socket head bolt (2) with spring washer (4) through the hole in the back frame (B) as per detail A. Use Allen Key (6) to tighten bolts.

Insert barrel nuts (5) into holes in right arm assembly (FR). Insert hex socket head bolts (3) along with spring washers (4) through the base (A) into barrel nuts (5) as per detail B. Use Allen key (6) to tighten bolts.

Repeat this to attach left arm assembly (FL).

NOTE : Do not fully tighten bolts until all bolts have been installed.



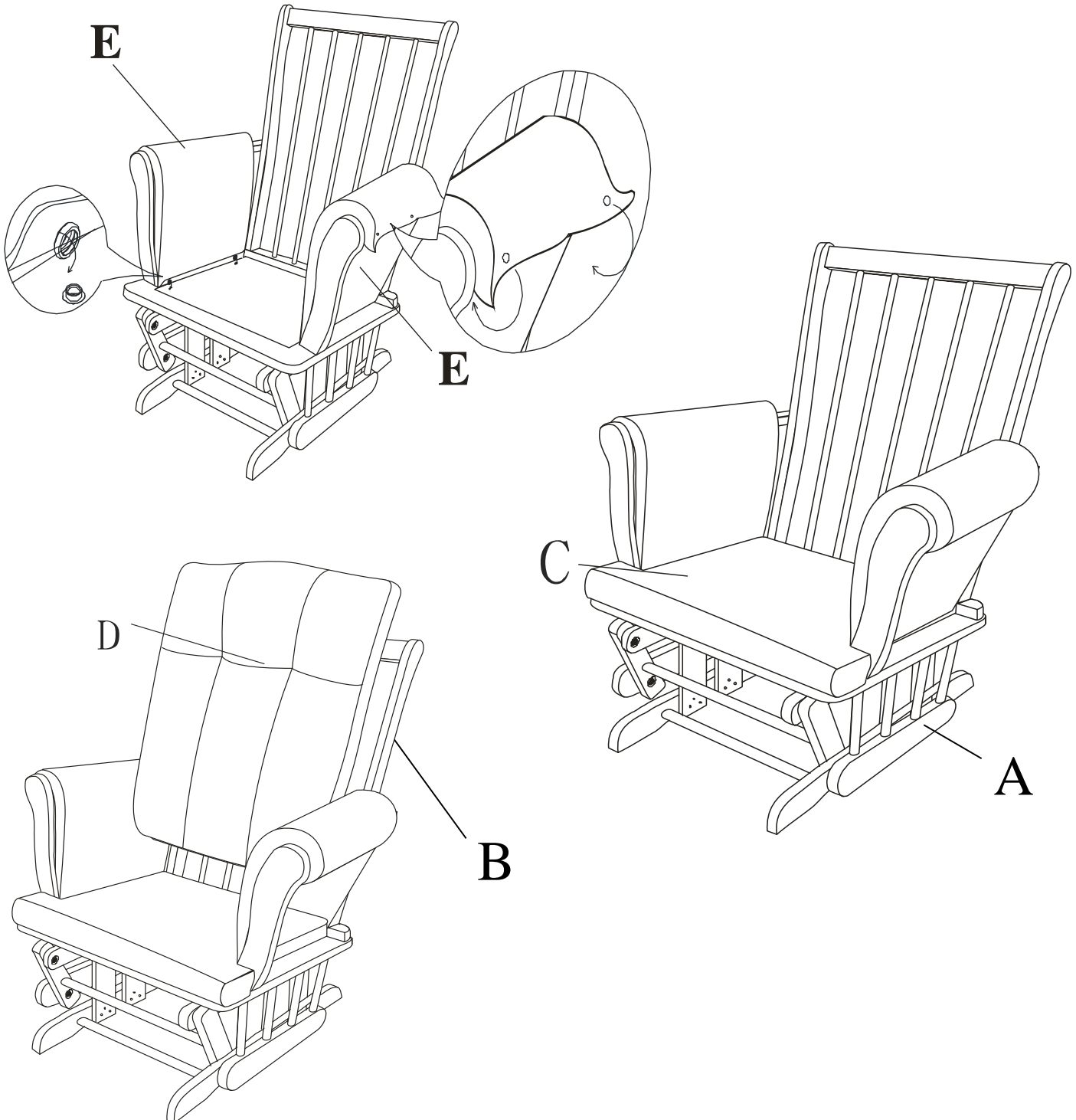
GLIDER ROCKER & OTTOMAN WM4041

STEP 3

Attach the arm cushions (E) to the armrests by buttoning the buttons along with the interior seat and on the sides.

Attach the seat cushion (C) to the base (A).

Attach back cushion (D) to back frame (B).



GLIDER ROCKER & OTTOMAN WM4041

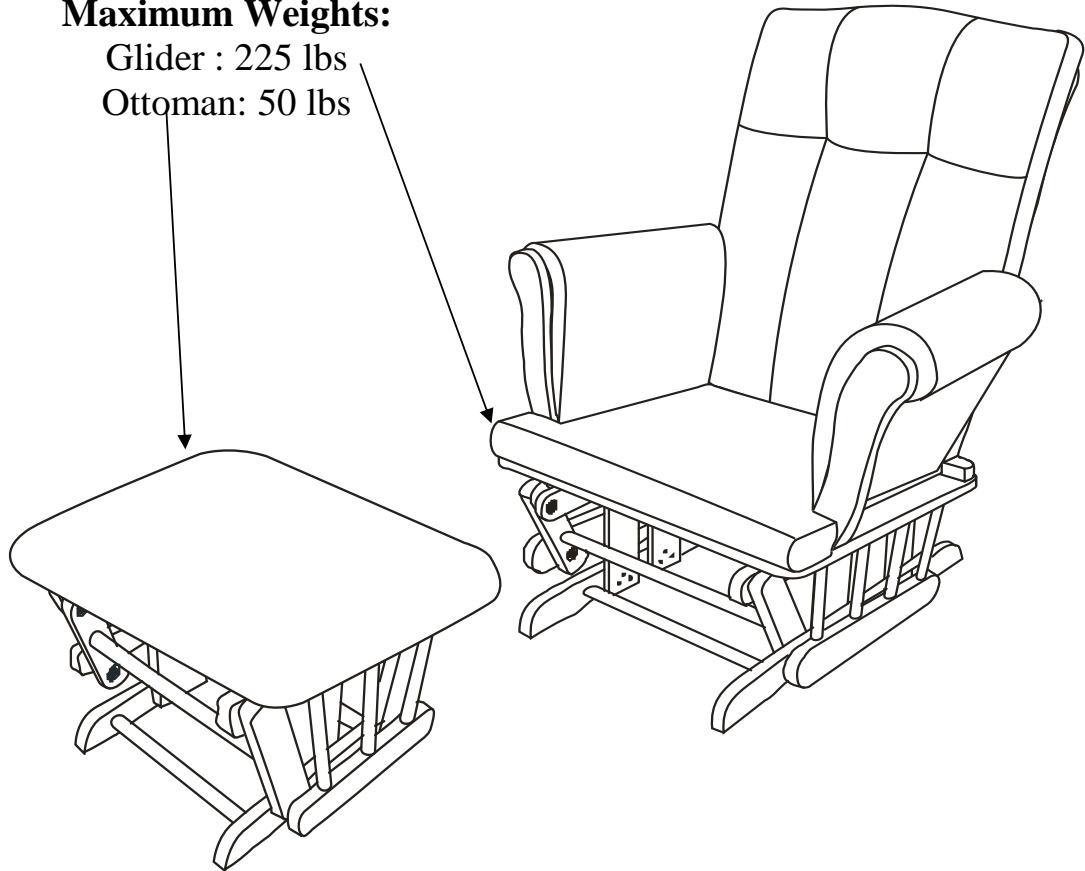


CAUTION: This unit is intended for use only with the products and/or maximum weights indicated. Use with other products and/or products heavier than the maximum weights indicated may result in instability or cause possible injury.

Maximum Weights:

Glider : 225 lbs

Ottoman: 50 lbs



DO NOT leave children unattended on or beside the chair.

DO NOT use the chair as a step stool.

DO NOT sit on the edge of the seat, armrests or on the backrest as this could cause the chair to tip over.

That's it ! You've finished assembling your glider rocker & ottoman.

DO NOT RETURN PRODUCT TO THE STORE.

If a part is missing or damaged, contact our customer service department. We will replace the part **FREE** of charge.



Tel #: 1-800-295-1980
E-Mail: das@dorel.com
Fax #: 514-353-7819

Customer Service

PLEASE DO NOT RETURN THIS PRODUCT TO THE STORE

PLEASE CONTACT CUSTOMER SERVICE REPRESENTATIVES AT THE FOLLOWING NUMBERS SHOULD THERE BE ANY MISSING OR DEFECTIVE PART(S).

Customer Service Phone Number 1-800-295-1980

Email: das@dorel.com

Customer Service Fax Number 514-353-7819

Request Date:

Name:

Shipping Address:

Street & Number:

City & State:

Zip Code:

Day Time Phone Number:
(including area code)

Date & Place of Purchase:

Part(s) description and quantity: (Please be sure to list model number or SKN number)

Customer Service Representative Mailing Address:

Customer Service Department No. 413, 12345 Albert-Hudon Boulevard, Suite 100, Montreal, QC, Canada, H1G 3L1