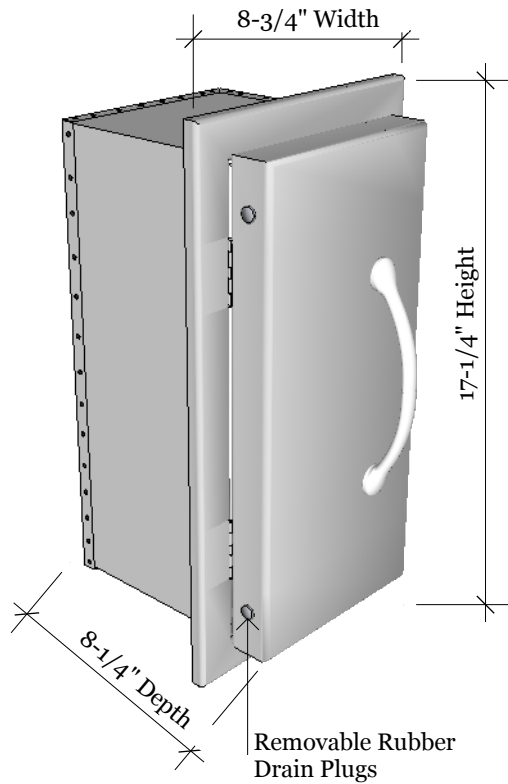
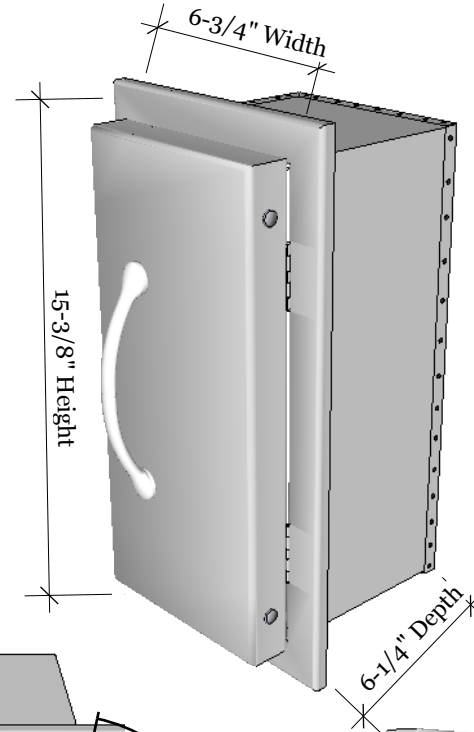


# Product Dimensions



# Cut-Out Dimensions



TEXAS BBQ WHOLESALERS  
 13802 Dragline Dr.  
 Austin, TX. 78728  
 Tel: 888.934.9449  
 Bus: 512.487.5116  
 Fax: 512.487.7016

**PRODUCT**  
**SUN PAPER TOWEL HOLDER**  
 Item No. A-TH

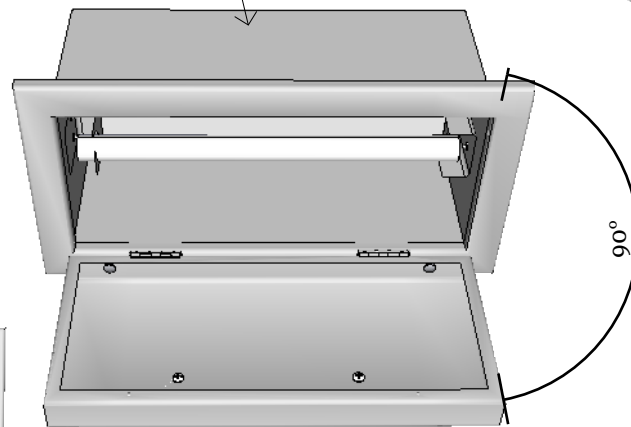
**DESCRIPTION**  
 304 stainless construction, premium look with matching brushed finish.

**Paper Towel Dispenser**  
 8-3/4"W x 17-1/4"H x 8-1/4"D (Product Size )  
 6-3/4"W x 15-3/8"H (Cut-out)  
 10 LBS ( Weight )

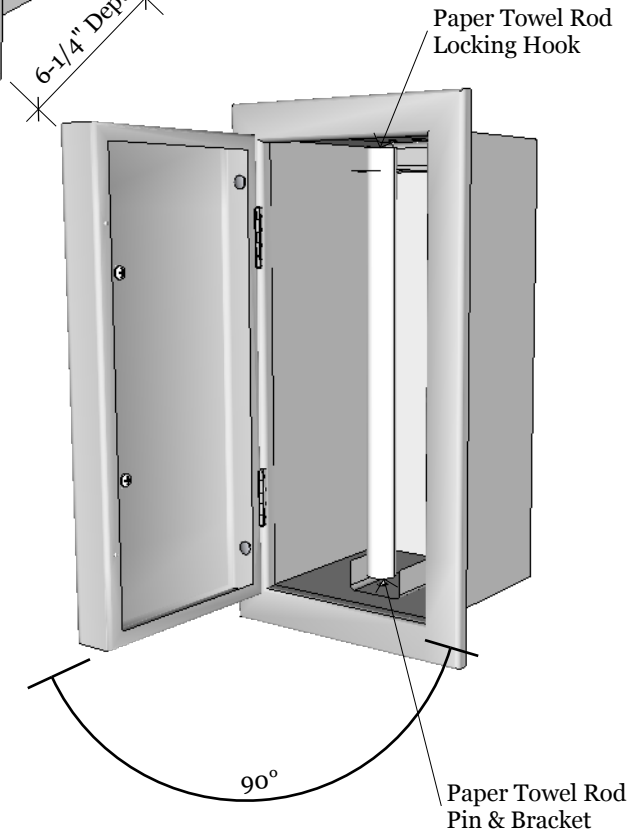
**Material Specifications:**  
 304 Stainless Steel  
 16 Gauge for Frame  
 18 Gauge for Door  
 18 Gauge Galvanized Sheet for Box  
 Handles are made of zinc alloy, chrome plated.

Weather Proof Enclosed Box

Removable Rubber Drain Plugs



90°



Paper Towel Rod Locking Hook

Paper Towel Rod Pin & Bracket

90°

Door Opens 90 Degrees

# Position Style Views

Open Left

Open Right

Open Down

