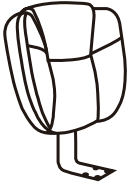





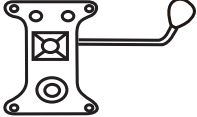

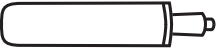
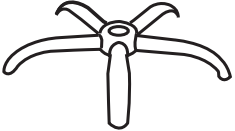
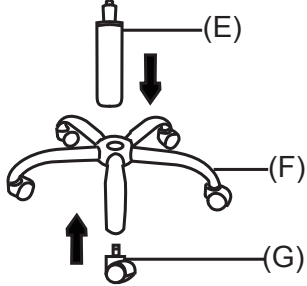


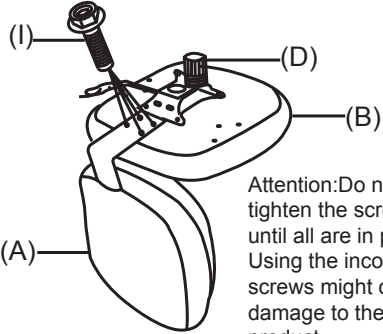
RTA-0930

(A)X1 	(G)X5 
(B)X1 	(H)X10  1/4x20mm
(C)1L+1R 	(I)X4  1/4x25mm
(D)X1 	(J)X1 
(E)X1 	
(F)X1 	

1

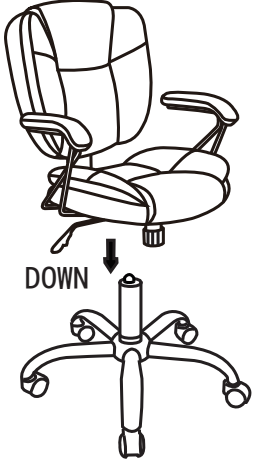


3

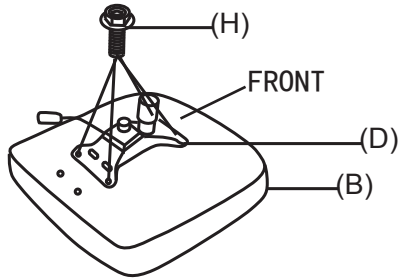


Attention: Do not tighten the screws until all are in place. Using the incorrect screws might cause damage to the product.

5

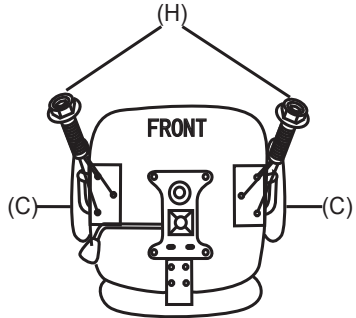


2



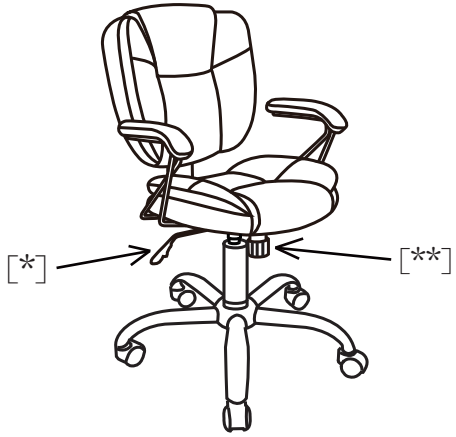
Attention: Do not tighten the screws until all are in place. Using the incorrect screws might cause damage to the product.

4



Attention: Do not tighten the screws until all are in place. Using the incorrect screws might cause damage to the product.

6



NOTE:

[*] Back Tilt Mechanism: PULL handle OUT to UNLOCK and PUSH handle IN to LOCK this feature.

[**] Tilt Tension Control: turn CLOCKWISE to apply more tension or turn COUNTERCLOCKWISE to release tension.