

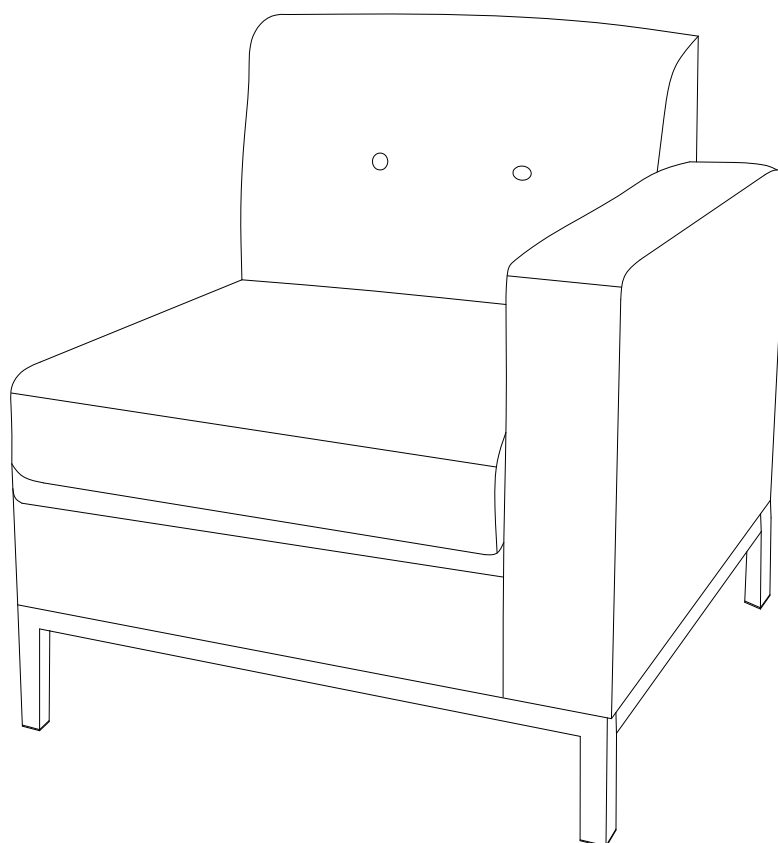
**CX1124 right facing club chair –
brown PU leather**

**CX1124 right facing club chair –
black PU leather**

Assembly Instructions



For assistance with assembly contact:
Wayfair Customer Service,
877-WAYFAIR (877-929-3247)
www.wayfair.com

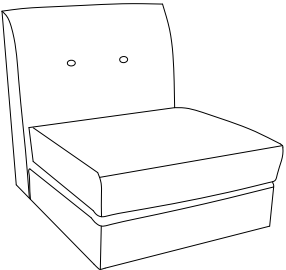


RIGHT FACING CLUB CHAIR

Parts List

Before beginning assembly, separate all parts and carefully study the parts diagrams below.
 Review all parts and hardware before disposing of any packaging.
 You may receive extra hardware with your unit.
 Call Customer Service for missing hardware.

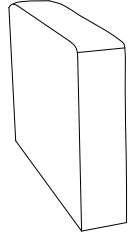
A



**Quantity
of 1**

Back & Seat

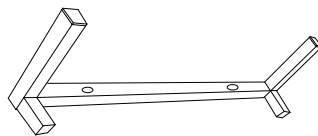
B



**Quantity
of 1**

Armrest

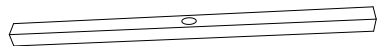
C



**Quantity
of 2**

Metal Leg

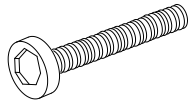
D



**Quantity
of 2**

Bottom Rail

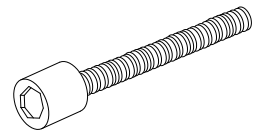
1



**Quantity
of 6**

Short Bolt \varnothing 1/4*1-1/2"L

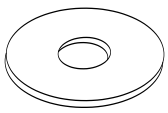
2



**Quantity
of 5**

Long Bolt \varnothing 5/16*3-3/4"L

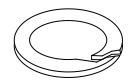
3



**Quantity
of 5**

Flat Washer

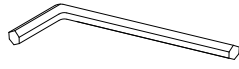
4



**Quantity
of 5**

Spring Washer

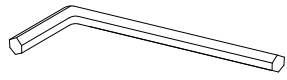
5



**Quantity
of 1**

Allen Wrench M4

6



**Quantity
of 1**

Allen Wrench M5

Care and Cleaning Instructions:
 Please see care and cleaning label attached to bottom of chair seat.

For replacement parts or questions, please call Customer Service at 877-WAYFAIR (877-929-3247)

RIGHT FACING CLUB CHAIR

Assembly Instructions

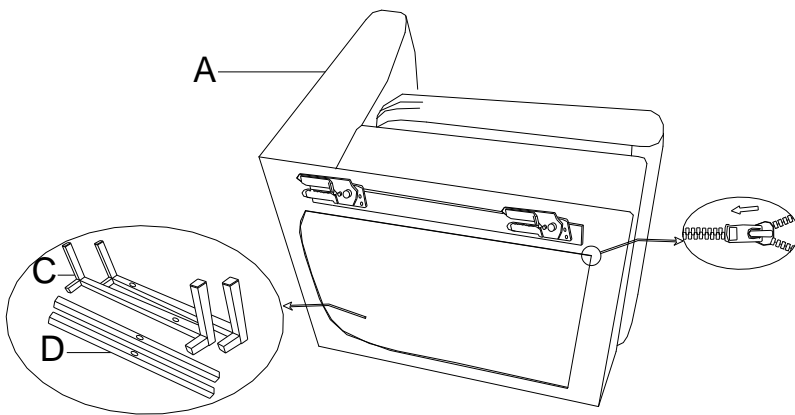


Figure 1

Unpack and lay parts on clean, padded surface like carpet or blanket. Check that you have all parts indicated on the front page.

Pull the zipper on bottom of Back & Seat (A).

Lift the black dust cover from the bottom of Back & Seat (A) and take out the 2 legs (C) and 2 bottom rails (D).

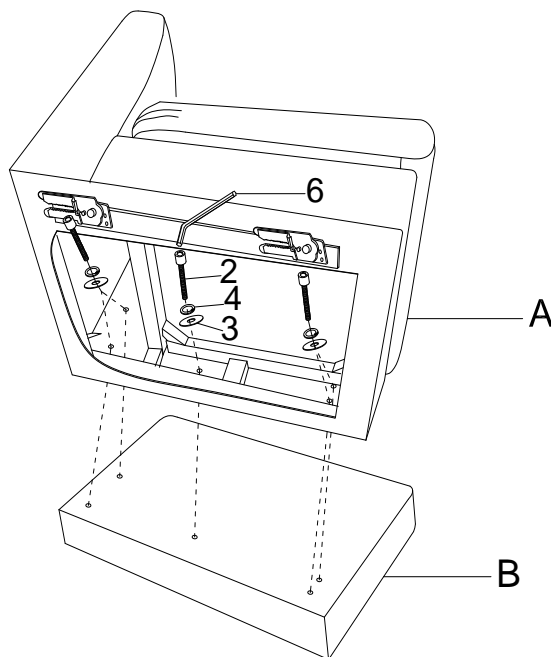


Figure 2

Attach armrest (B) to Back & Seat (A) with long bolts (2), flat washer (3) and spring washer (4)

Tighten bolts (2) using the Allen wrench (6) as shown on Figure 2.

Close the black dust cover. Then close the zipper on the bottom of Back & Seat (A).

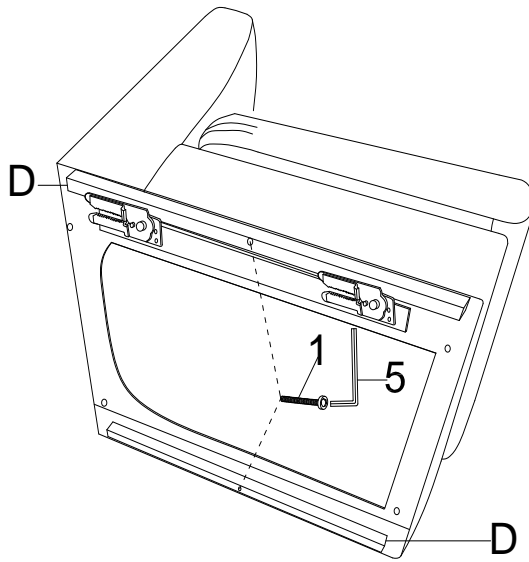


Figure 3

Attach 2 bottom rails (**D**) to the bottom of Back & Seat (**A**) with short bolts (**1**).

Tighten them using Allen wrench (**5**) as shown on Figure 3

Don't tighten them too tight.

RIGHT FACING CLUB CHAIR

Assembly Instructions

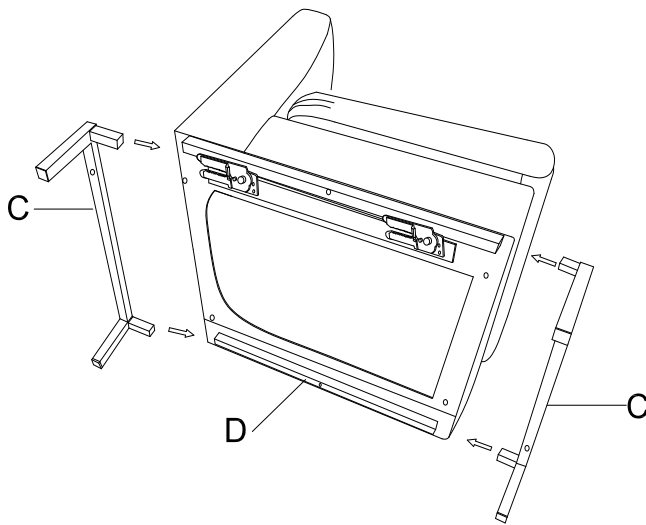


Figure 4

Insert legs (**C**) into bottom rails (**D**). Please make sure legs (**C**)'s tenon go into bottom rails (**D**)' end.

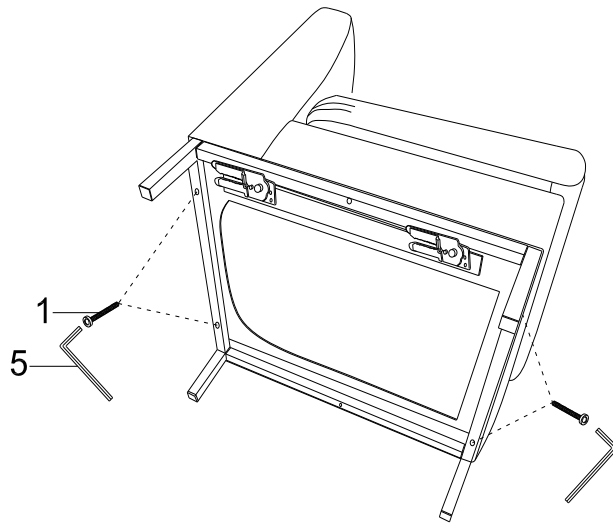


Figure 5

Use 4 short bolts (1) to connect the legs (C) to the bottom of Back & Seat (A)

Tighten short bolts (1) using the Allen wrench (5) as shown on Figure 5.

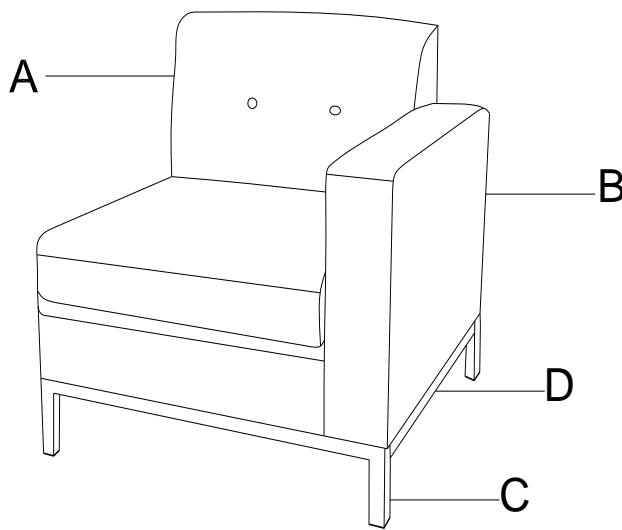


Figure 6

Tighten all bolts.

Turn over the chair.

Now your chair is ready to use!

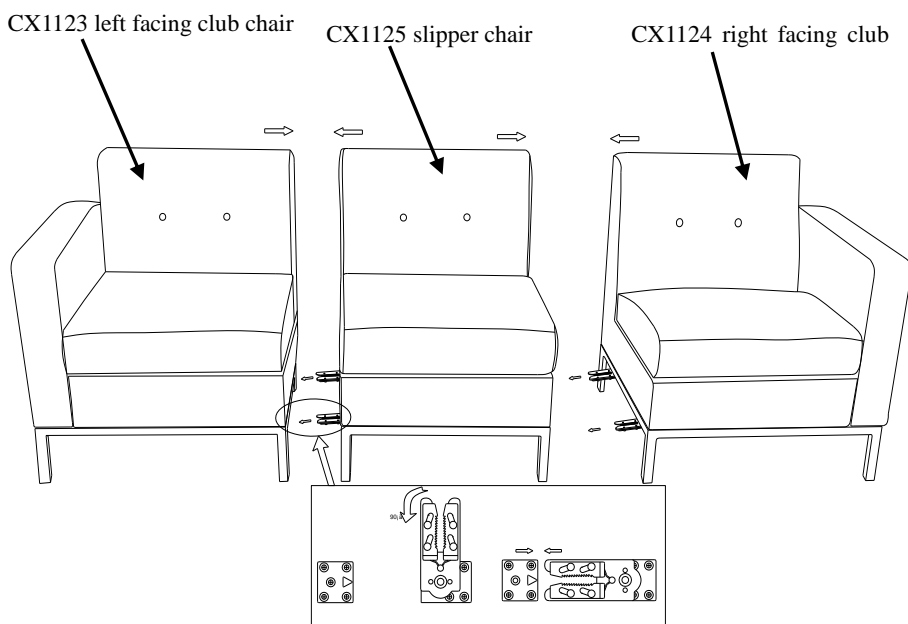


Figure 7

When you need to assemble CX1123 left facing club chair and CX1124 right facing club and CX1125 slipper chair

Please swirl the connector on bottom of CX1124/ CX1125 firstly, then you can put CX1123/ CX1124/ CX1125 together as shown in Figure 7.

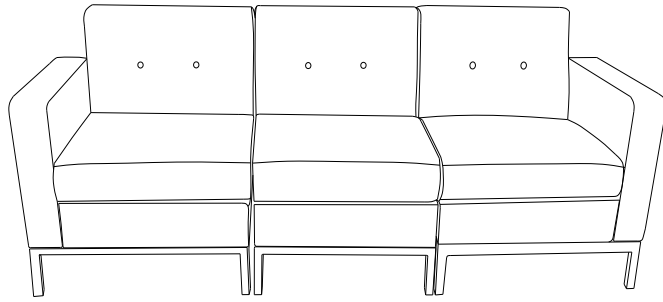


Figure 8

Now your CX1123/ CX1124/
CX1125 whole set chair is ready to
use!