

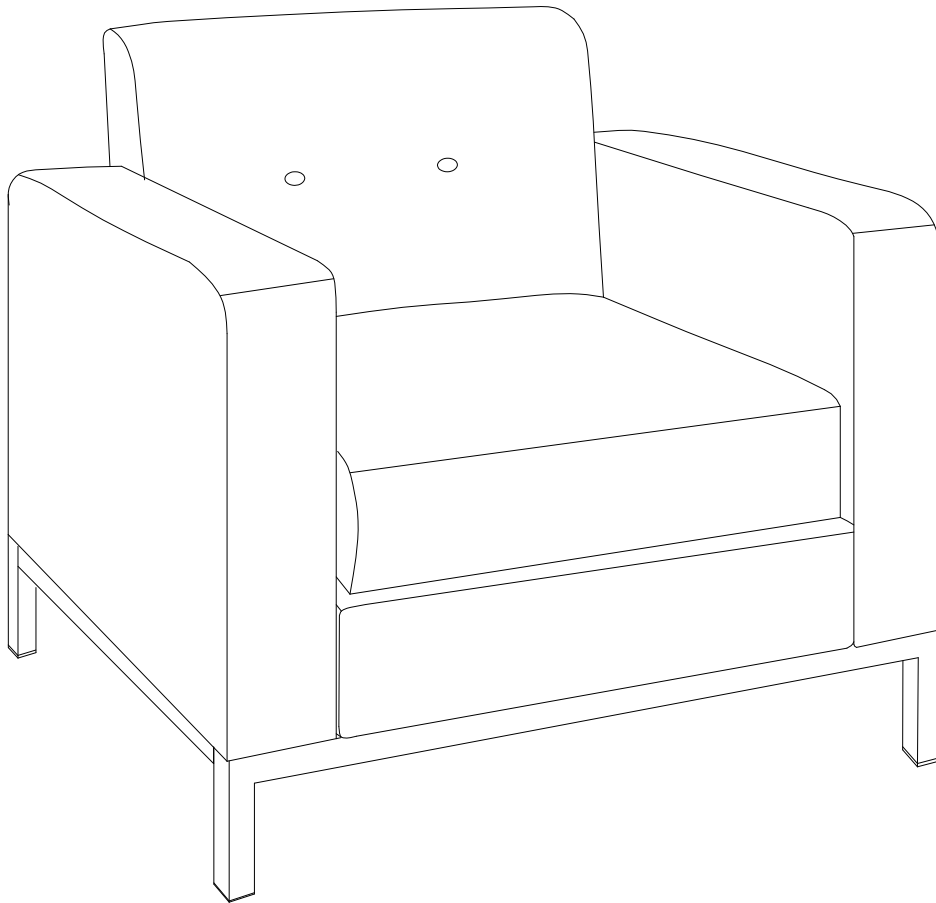
CX1126 arm chair – brown PU leather

CX1126 arm chair – black PU leather

Assembly Instructions



For assistance with assembly contact:
Wayfair Customer Service,
877-WAYFAIR (877-929-3247)
www.wayfair.com



ARM CHAIR

Parts List

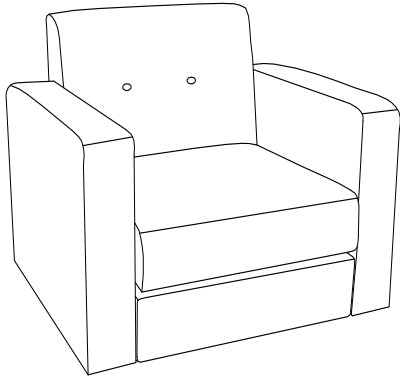
Before beginning assembly, separate all parts and carefully study the parts diagrams below.

Review all parts and hardware before disposing of any packaging.

You may receive extra hardware with your unit.

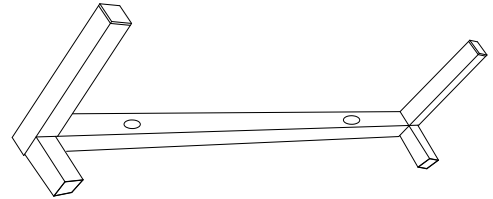
Call Customer Service for missing hardware.

A **Quantity of 1**



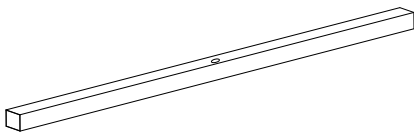
Back & Seat

B **Quantity of 2**



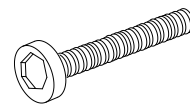
Metal Leg

C **Quantity of 2**



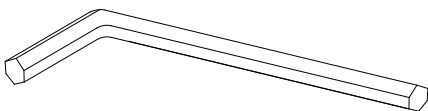
Bottom Rail

1 **Quantity of 6**



Bolt \varnothing 1/4*1-1/2"L

2 **Quantity of 1**



Allen Wrench

Care and Cleaning Instructions:

Please see care and cleaning label attached to bottom of chair seat.

For replacement parts or questions, please call Customer Service at 877-WAYFAIR (877-929-3247)

ARM CHAIR

Assembly Instructions

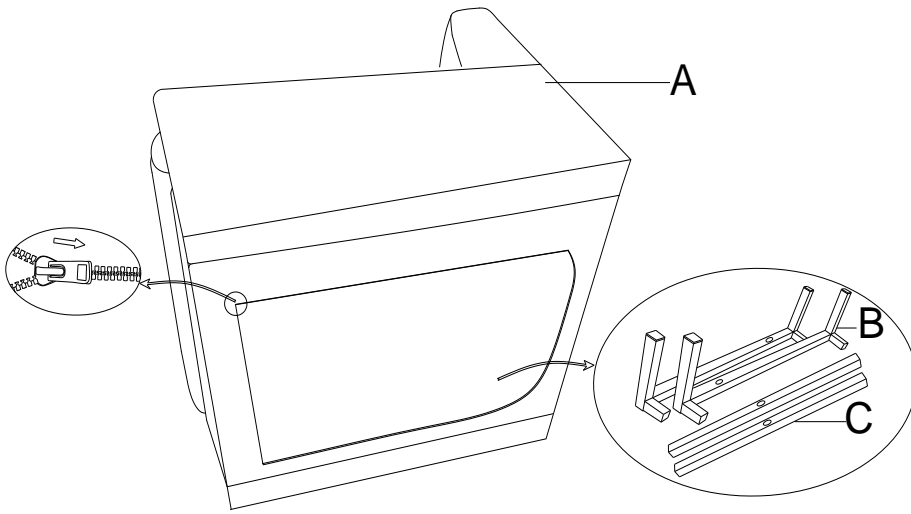


Figure 1

Unpack and lay parts on clean, padded surface like carpet or blanket. Check that you have all parts indicated on the front page.

Pull the zipper on the bottom of Back & Seat (**A**).

Lift the black dust cover from the bottom of Back & Seat (**A**) and take out the 2 legs (**B**) and the 2 bottom rails (**C**).

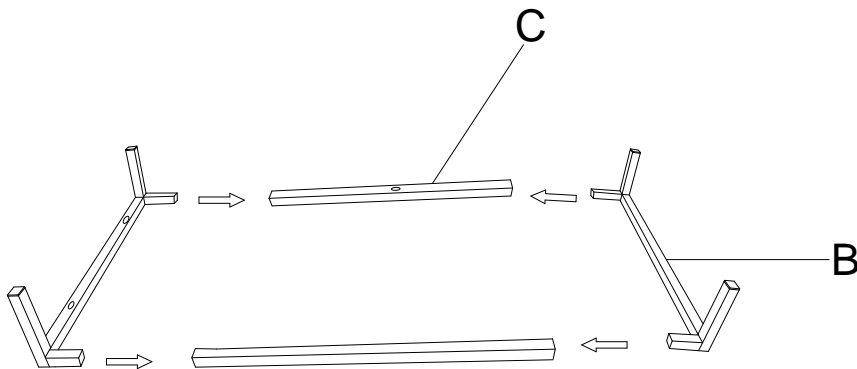


Figure 2

Insert the legs (**B**) into the bottom rails (**C**). Please make sure legs (**B**)'s tenons go into the bottom rails (**C**)'s end as shown on Figure 2.

Attached pre-assembled unit on figure 1 to back & seat (A) with 6 bolts (1)

Tighten them using Allen wrench (2) as shown on Figure 3 .

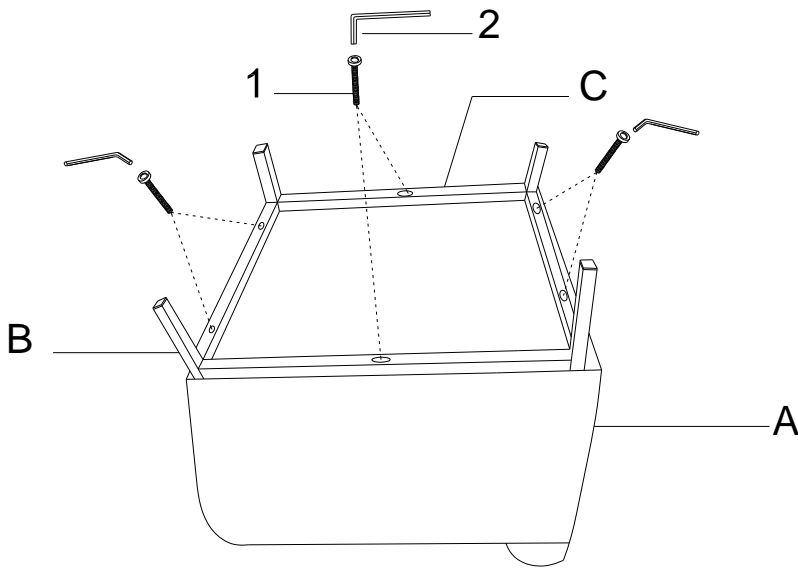


Figure 3

Turn over the arm chair.

Now your arm chair is ready to use!

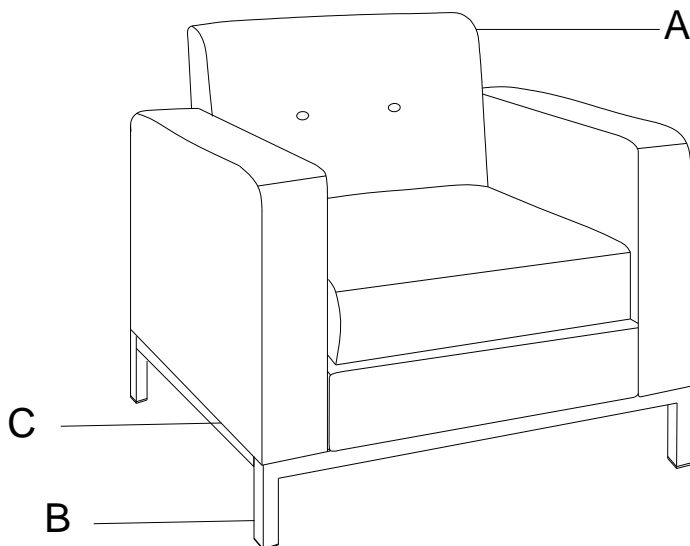


Figure 4