



CAROLINA CHAIR & TABLE COMPANY

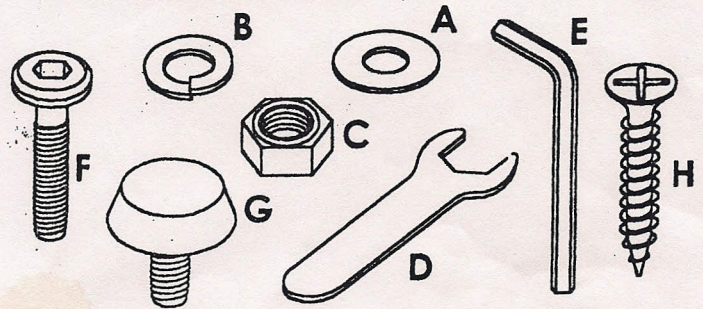
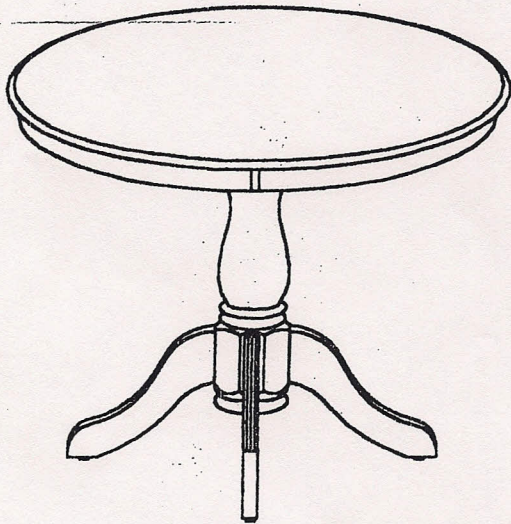
Assembly Instructions BALD102-60
MODEL NO. : D102-60 -36
42" ROUND TABLE



• Thank you for purchasing a Carolina Chair & Table Company product. This product has been designed for easy assembly and constructed for durability. Please take the time to read and follow the assembly instructions carefully. If a part or hardware is missing or have any difficulties in assembling this product, Please contact Toll Free 1-800-228-3876.

HARDWARE LIST :

A	FLAT WASHER-5/16"	4 PCS.
B	SPRING WASHER-M6x13MM	4 PCS.
C	HEXAGON NUT-5/16"	4 PCS.
D	WRENCH(12.8MM)	1 PC.
E	ALLEN KEY-M4	1 PC.
F	JCBC BOLT-M6x40MM	4 PCS.
G	ADJUSTABLE GLIDE	4 PCS.
H	WOOD SCREW-M4x30MM	8 PCS.

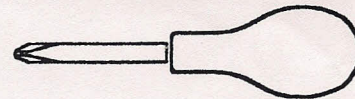


PARTS LIST :

1	TABLE TOP ASSEMBLY	1 PC.
2	PEDESTAL COLUMN	1 PC.
3	PEDESTAL BASE	4 PCS.
4	MOUNTING PLATE	1 PC.

TOOLS REQUIRED (NOT INCLUDED) :

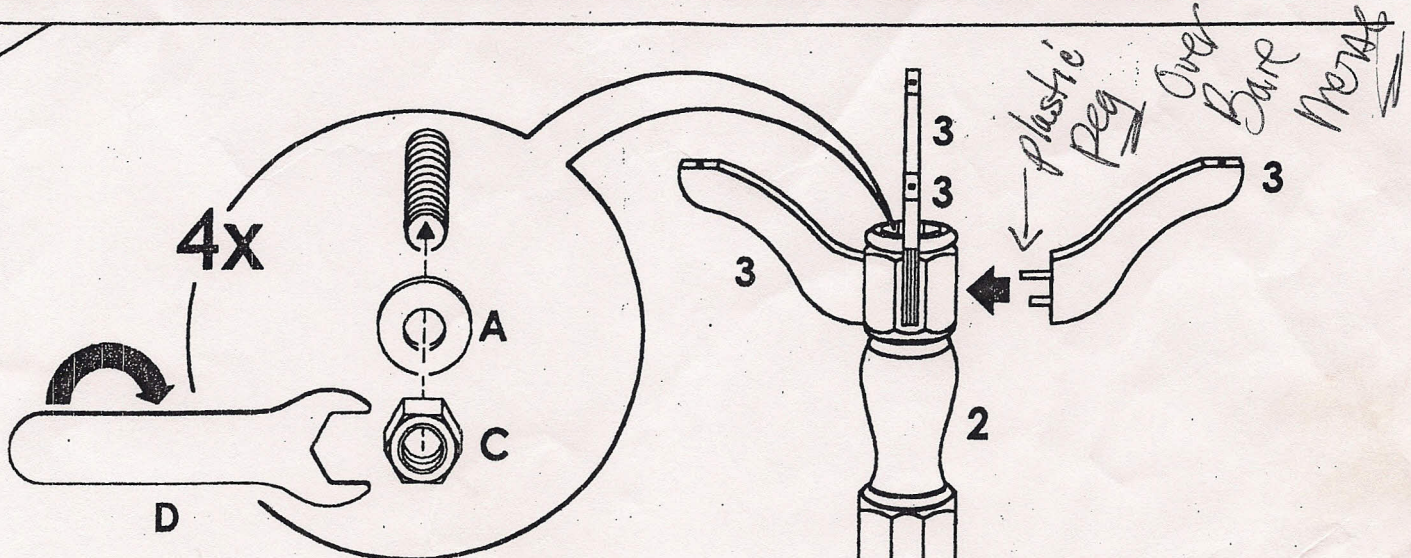
PHILIP HEAD SCREW DRIVER



IMPORTANT NOTE :

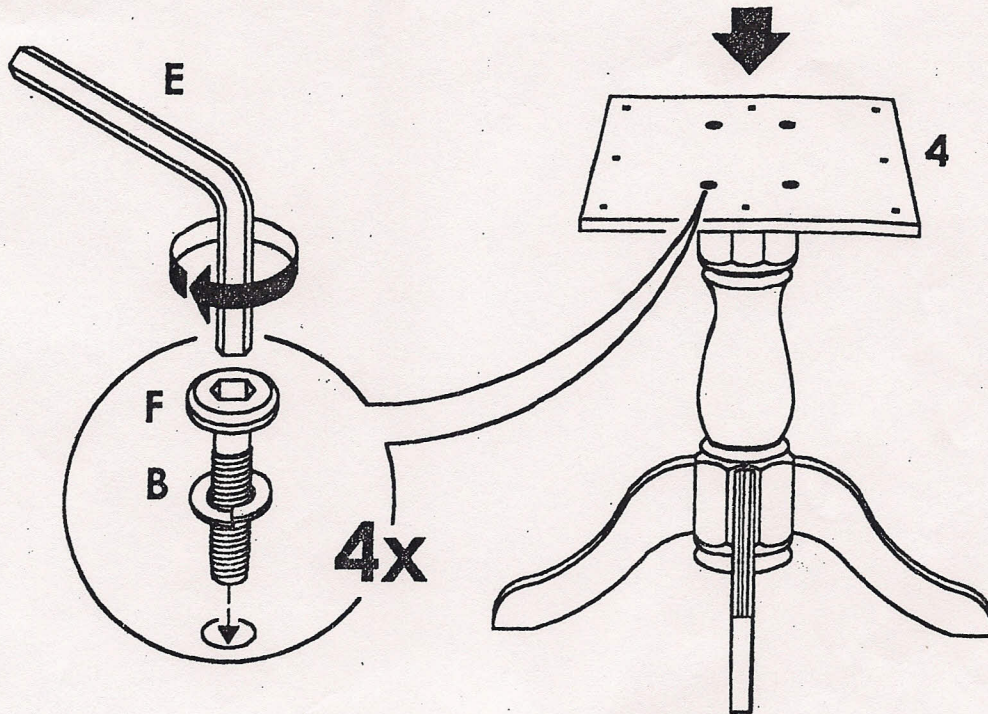
- Place all wooden parts on a clean and smooth surface such as a rug or carpet to avoid the parts from being scratched. Check to be sure that you have all parts and hardware. Remove all wrapping materials, including staples & packing straps before you start to assemble.
- Keep all hardware parts out of reach of children.
- **DO NOT TIGHTEN ALL BOLTS/SCREWS UNTIL ALL COMPLETELY ASSEMBLED.**

1

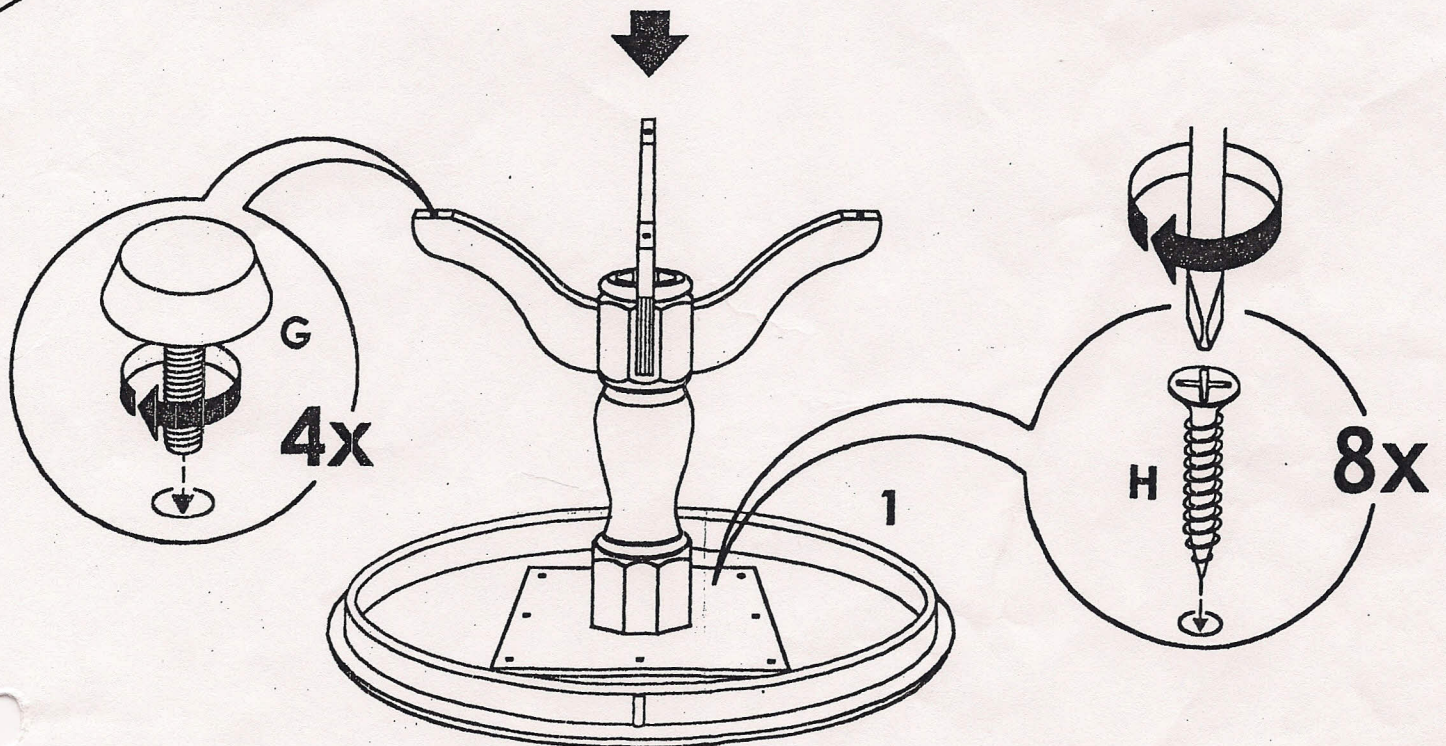


Assembly Instructions
MODEL NO. : D102-60
42" ROUND TABLE

2



3



CARE AND MAINTENANCE !

- The touch of a soft cloth is all the maintenance your wood pieces will ever need. Never use harsh chemicals or abrasive cleaners, as they could mark or destroy finish