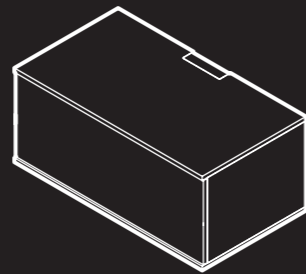


BLU
DOT

WALNUT
**WONDER
WALL**

ASSEMBLY NOTES

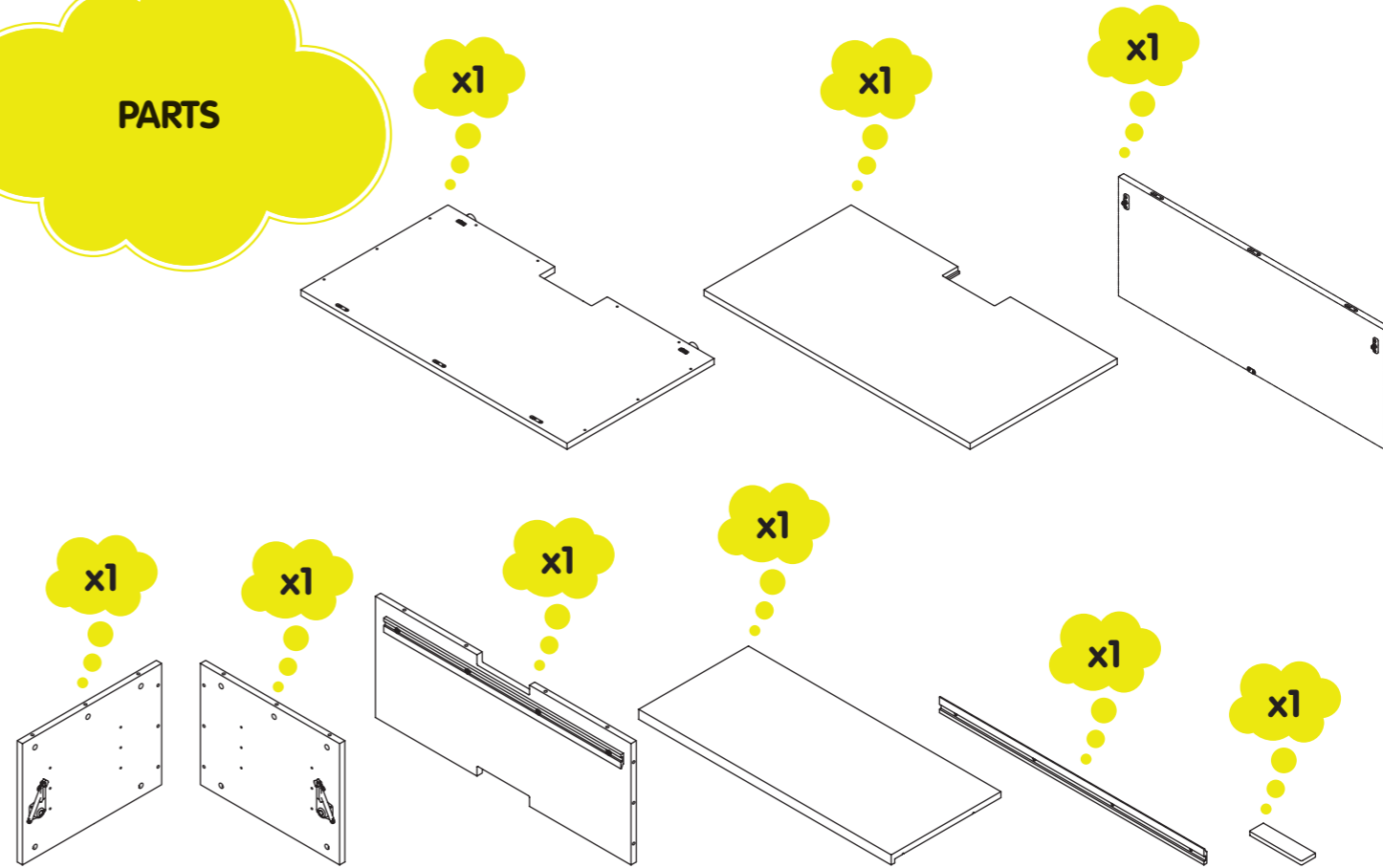
TAKE A SAD WALL
MAKE IT BETTER



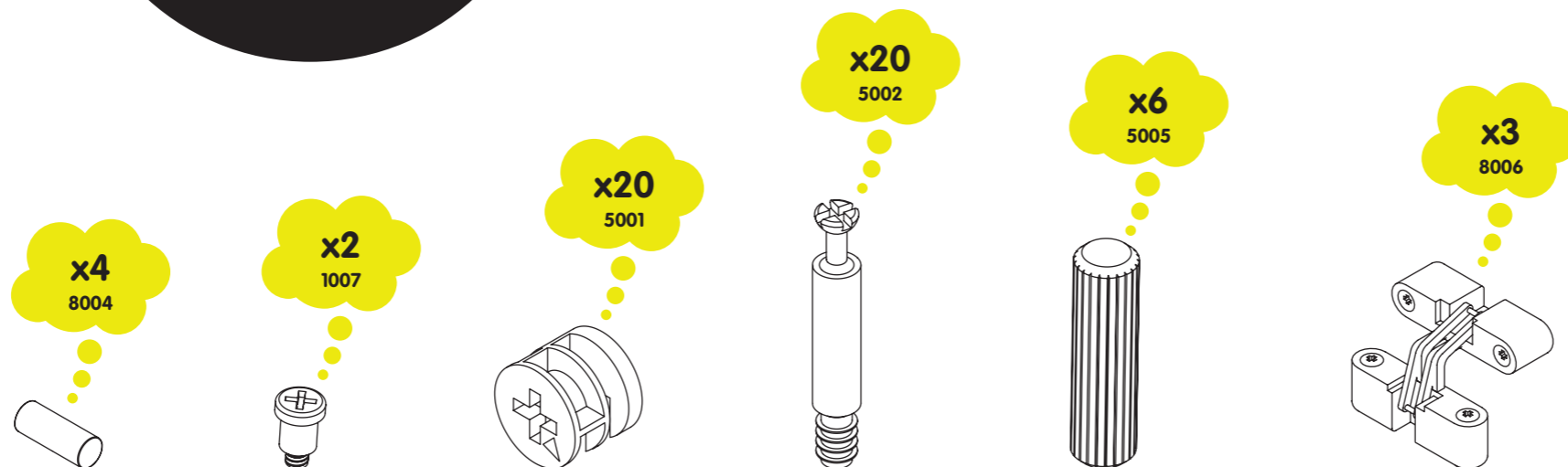
CARE

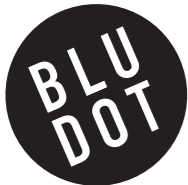
Clean with a slightly damp, soft cloth. To remove dirt and fingerprints, use a quality cleaner formulated for wood furniture. Wipe completely dry with a soft cloth in the direction of the wood grain.

PARTS

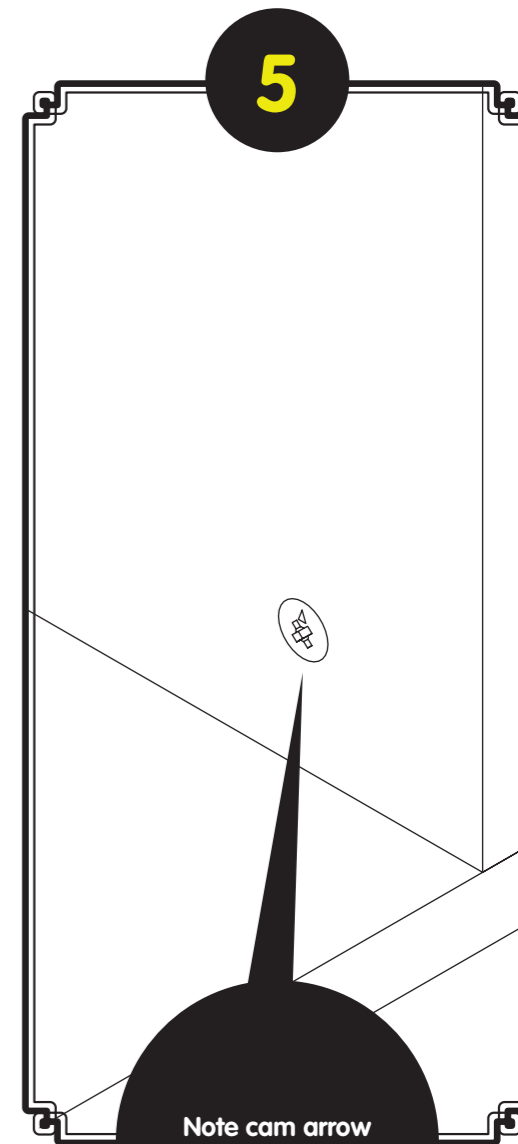
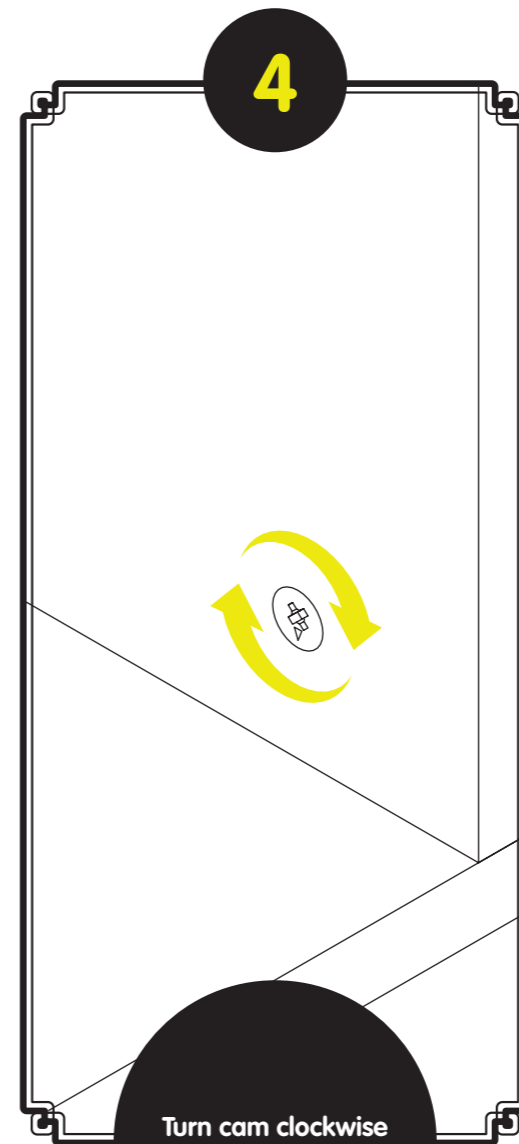
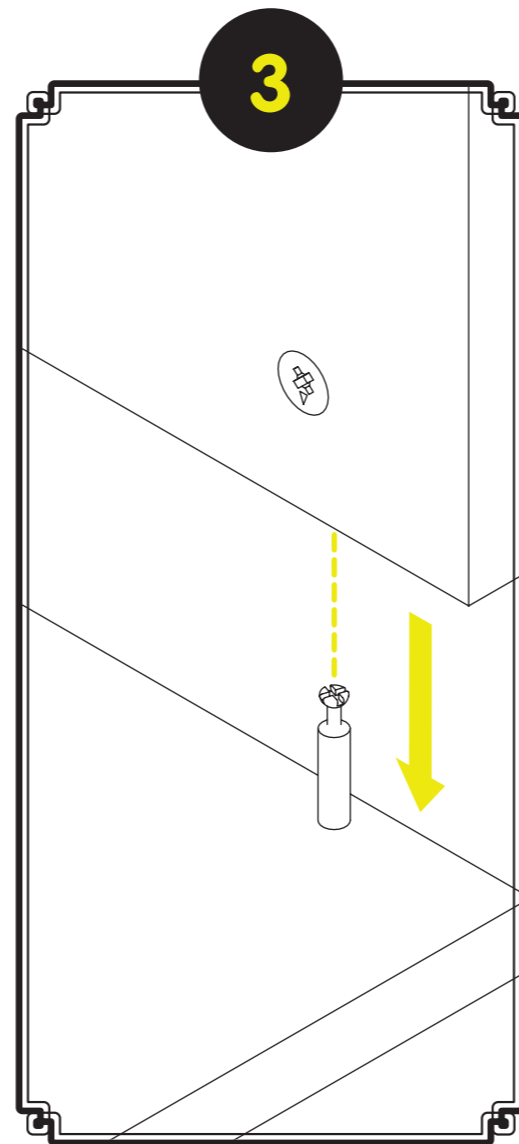
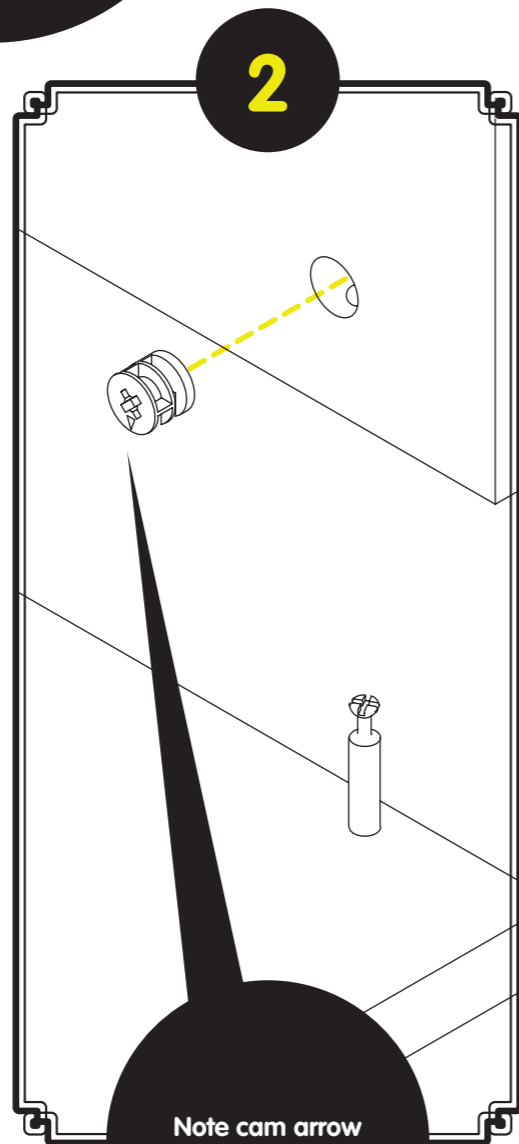
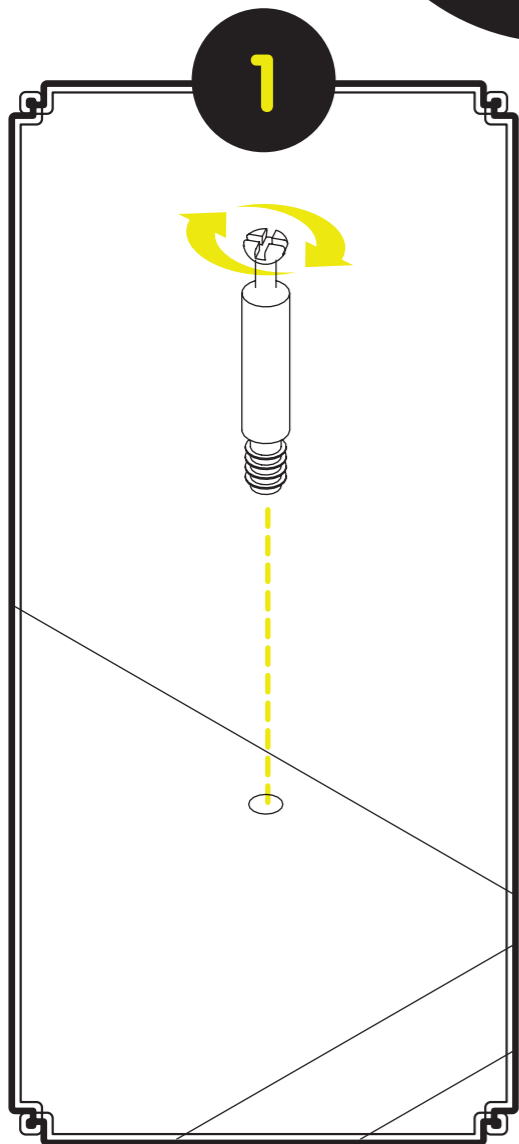


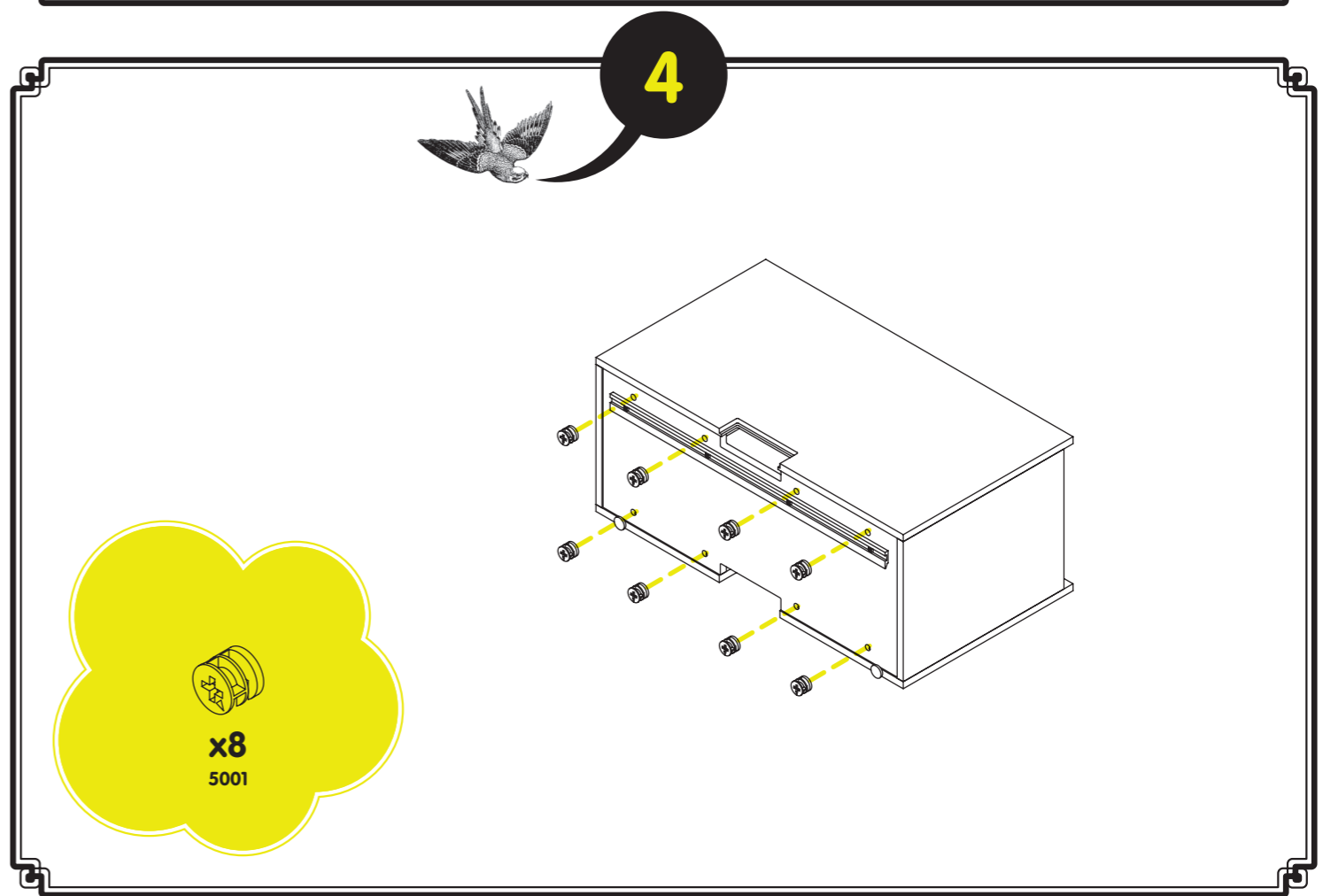
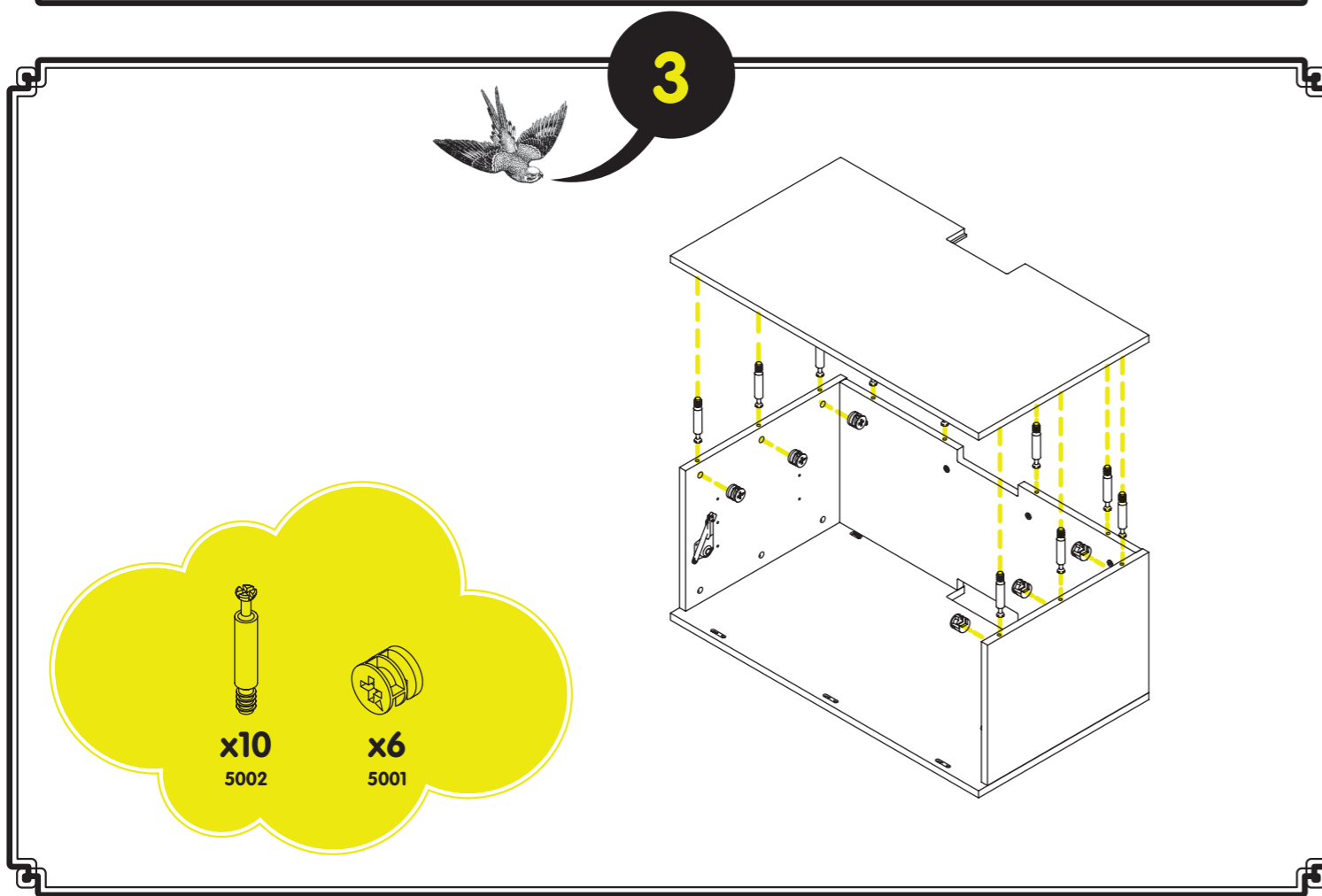
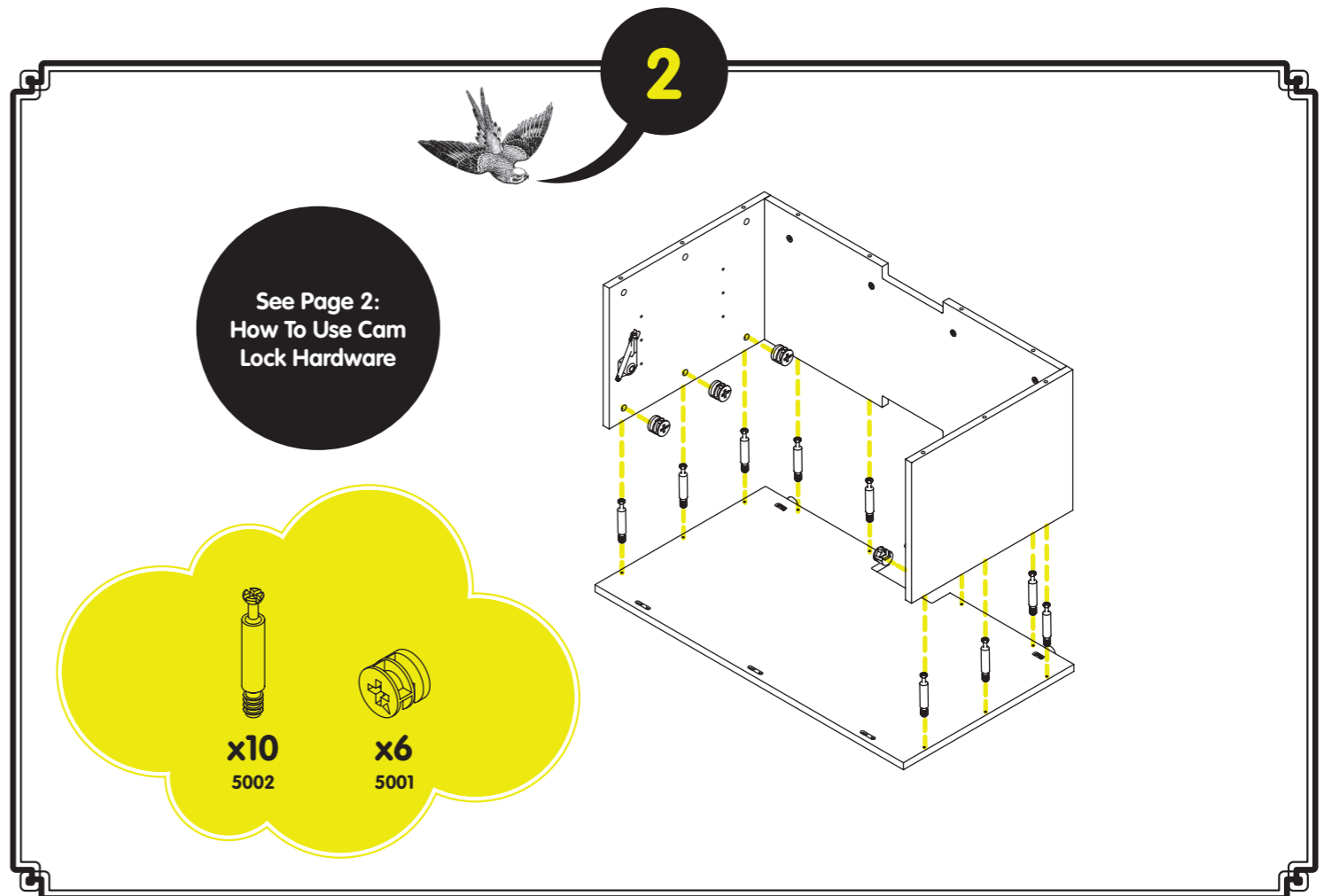
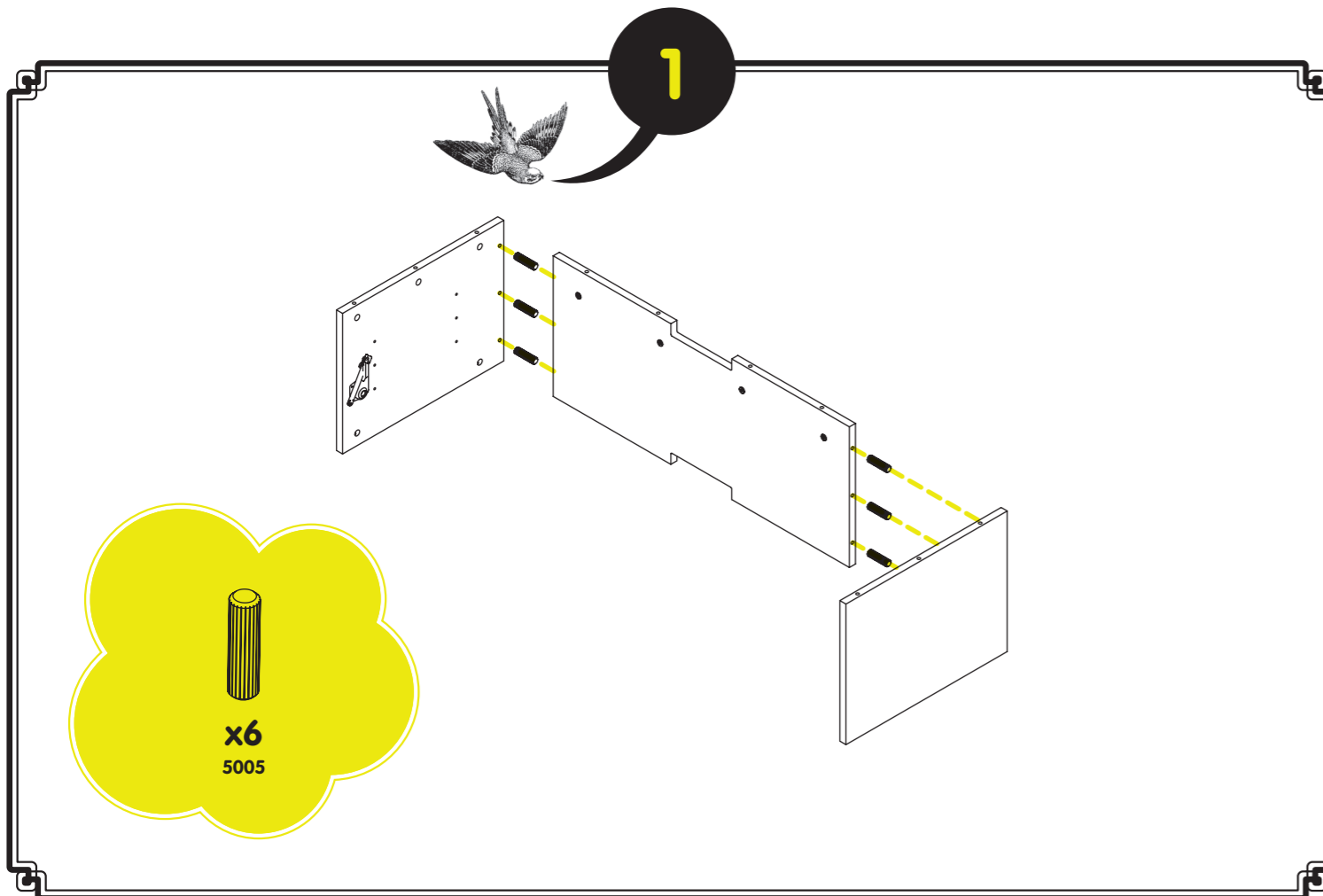
HARDWARE





HOW TO USE CAM LOCK HARDWARE





5

1
press in until flush

2
tighten with screwdriver

x3
8006

6

1
press in until flush

2
tighten with screwdriver

SIDE VIEW

7

x2
1007

8

Insert shelf pins at desired height, then place shelf in.

x4
8004

9

x1

