

BLU
DOT

DESK 51

ASSEMBLY NOTES

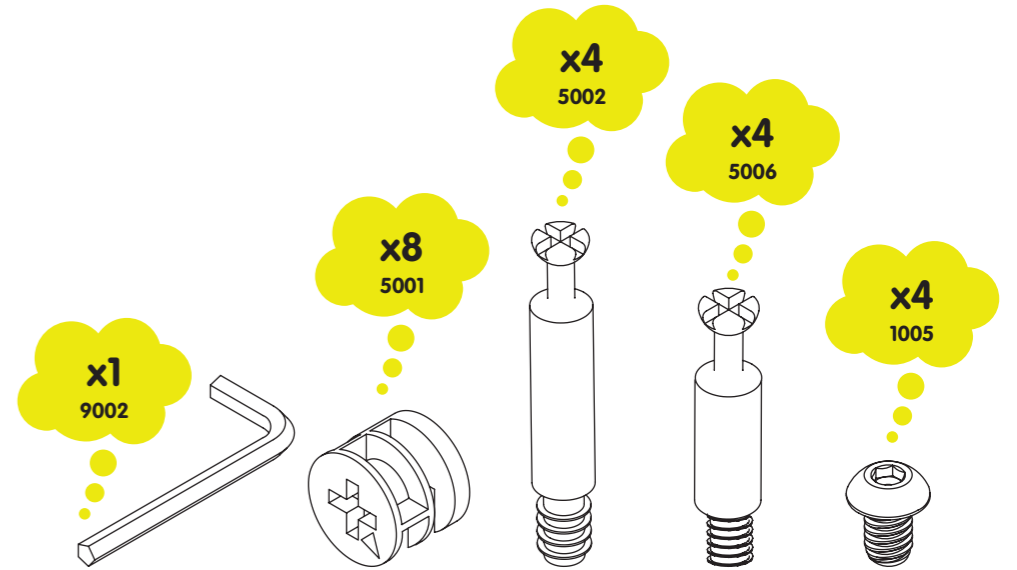
AS EASY AS
1 - 2 - 3!



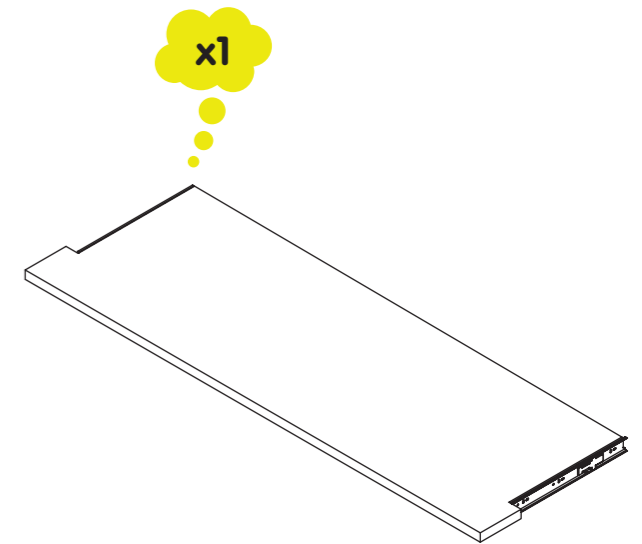
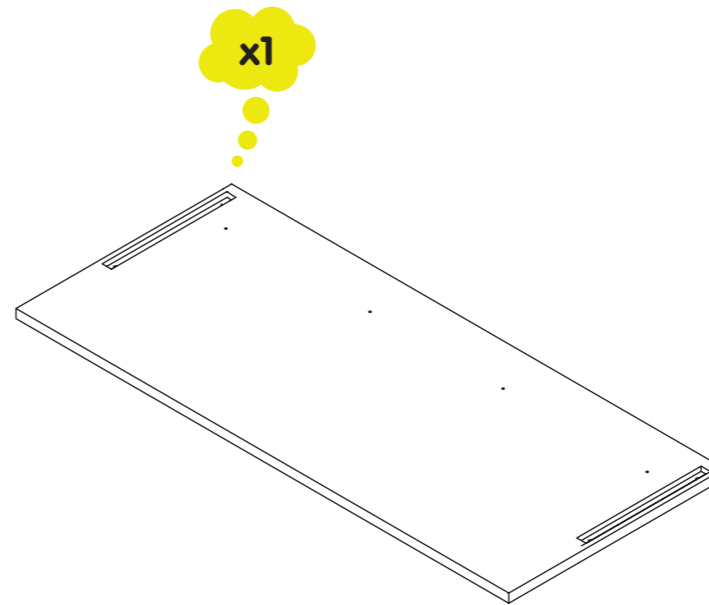
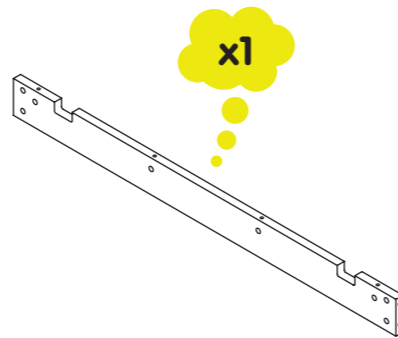
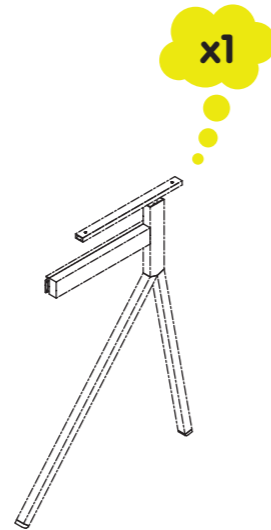
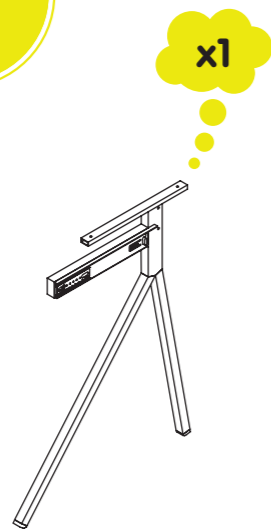
CARE

Clean desk top and powder-coated steel legs with a soft cloth or sponge using a mild detergent, such as dish soap, and warm water. Wipe completely dry with a soft cloth.

HARDWARE

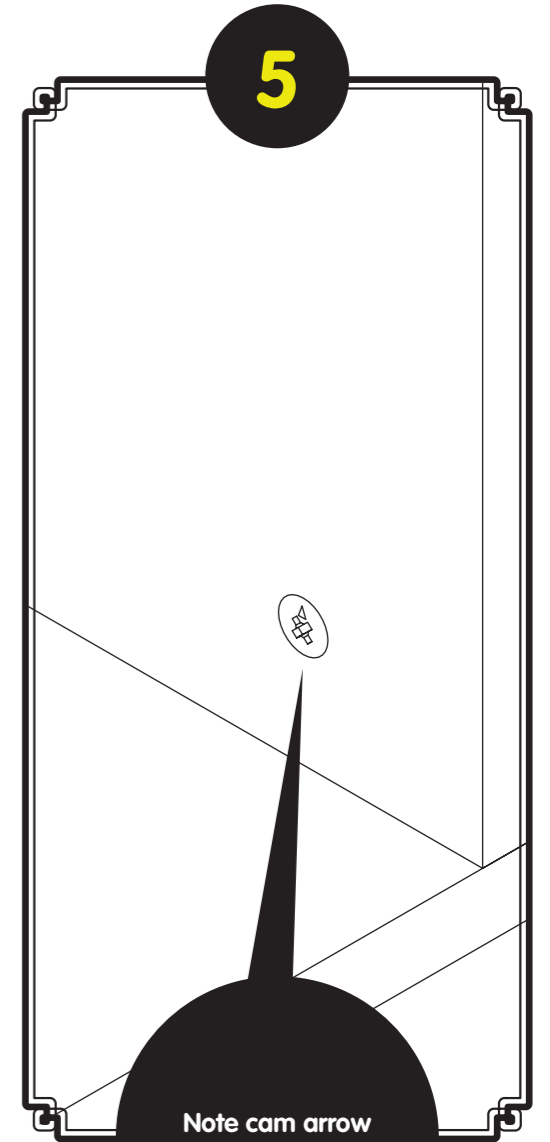
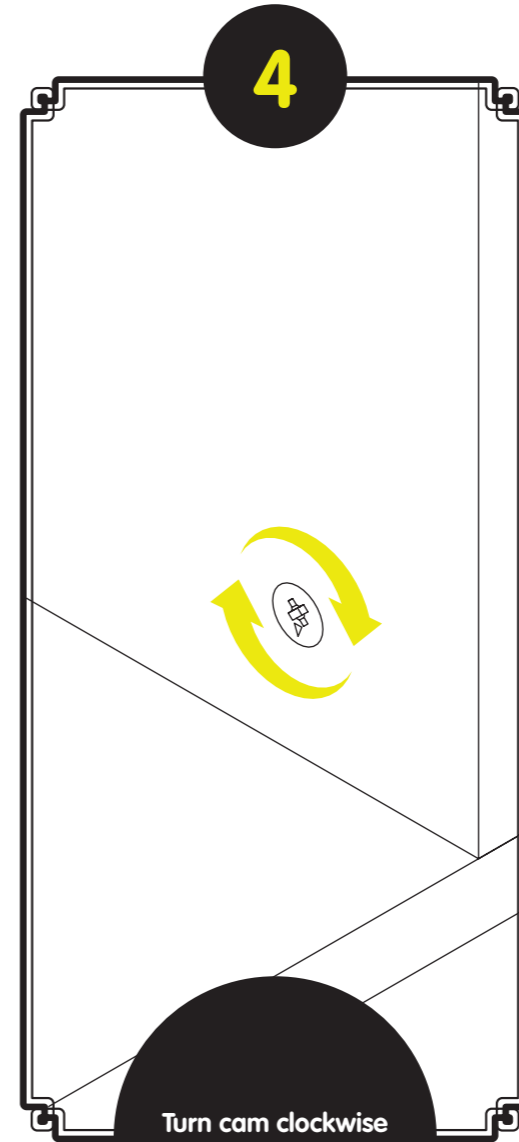
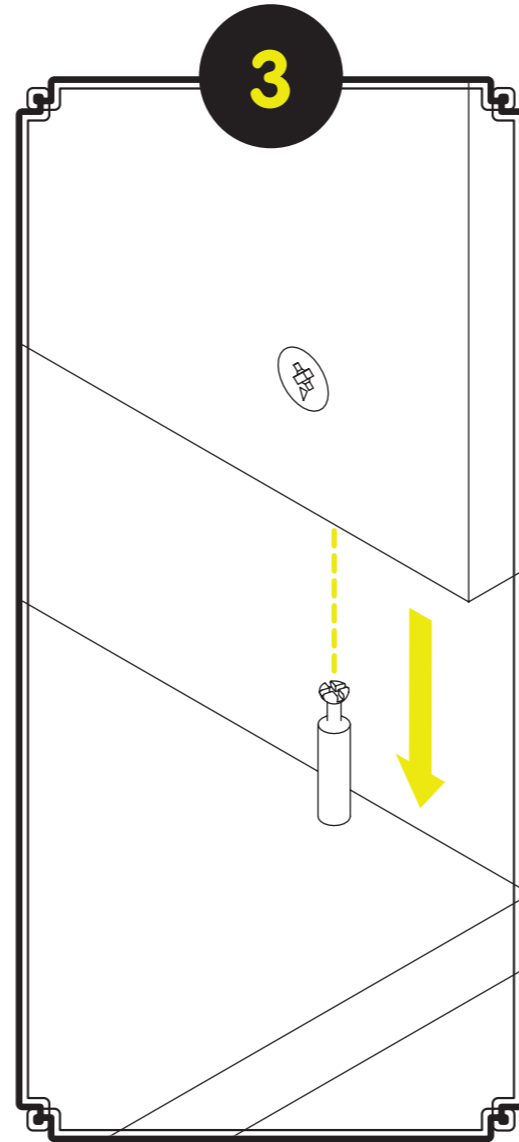
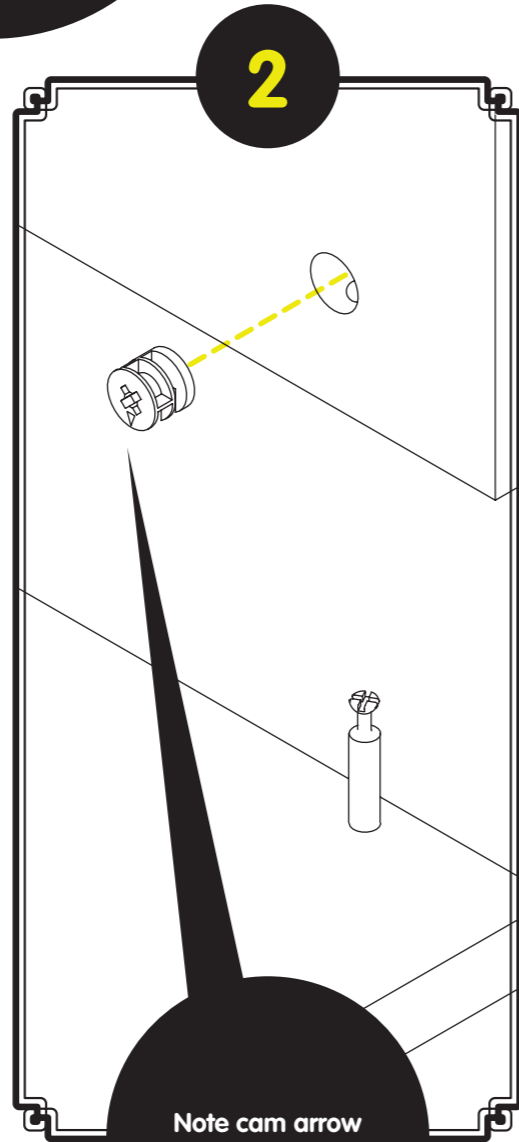
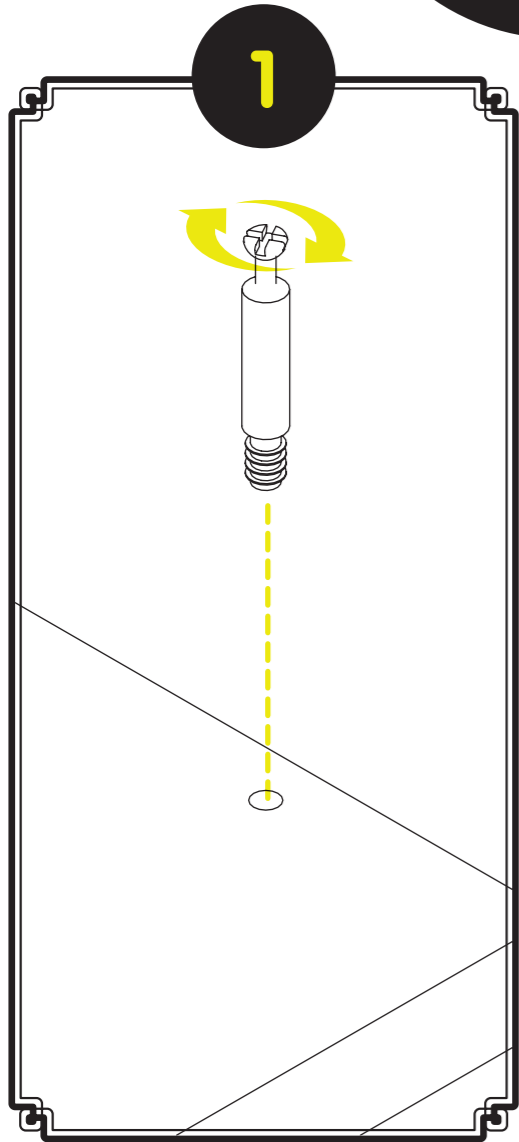


PARTS



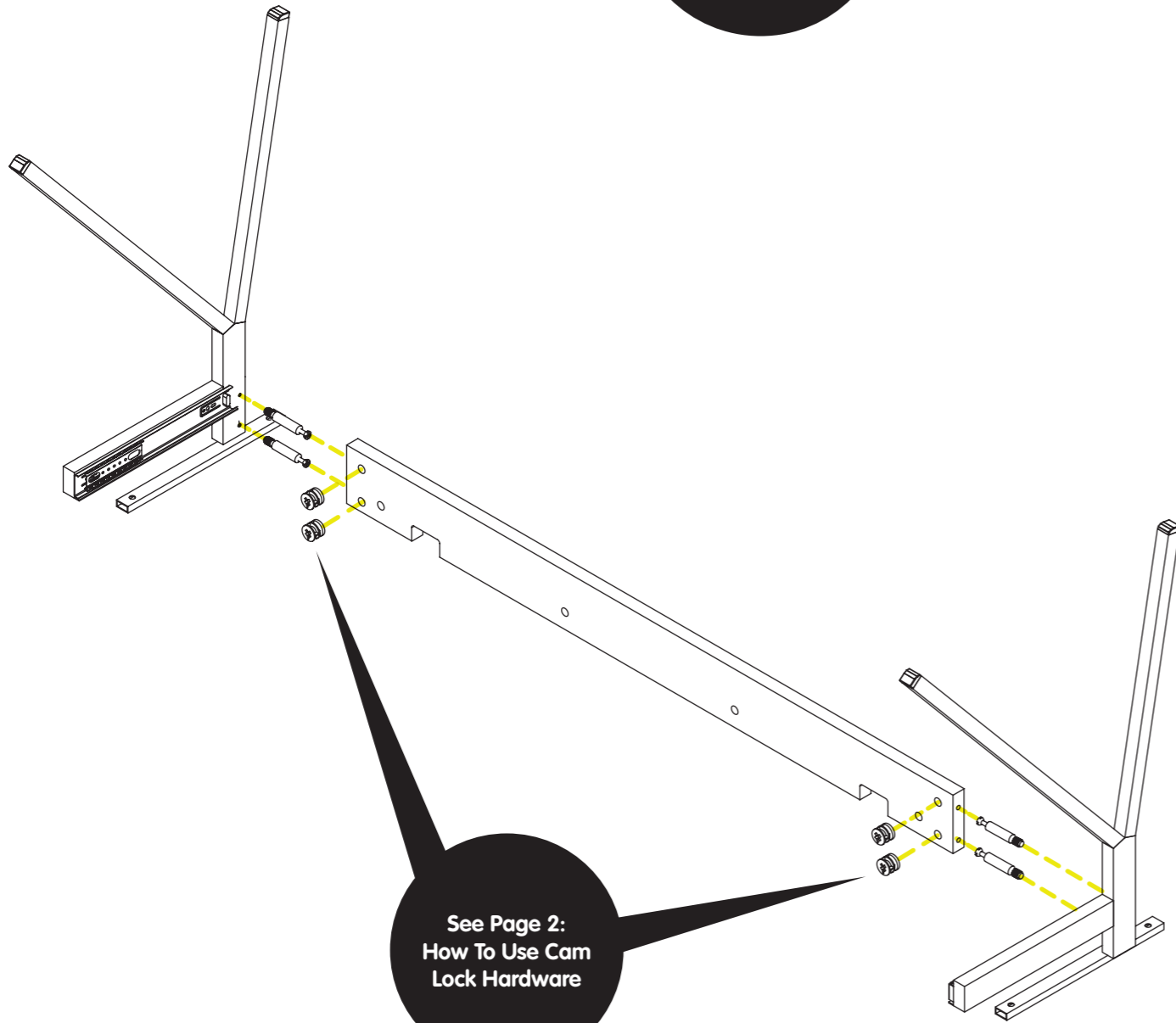


HOW TO USE CAM LOCK HARDWARE



1

Assemble on carpet or protective mat



See Page 2:
How To Use Cam
Lock Hardware

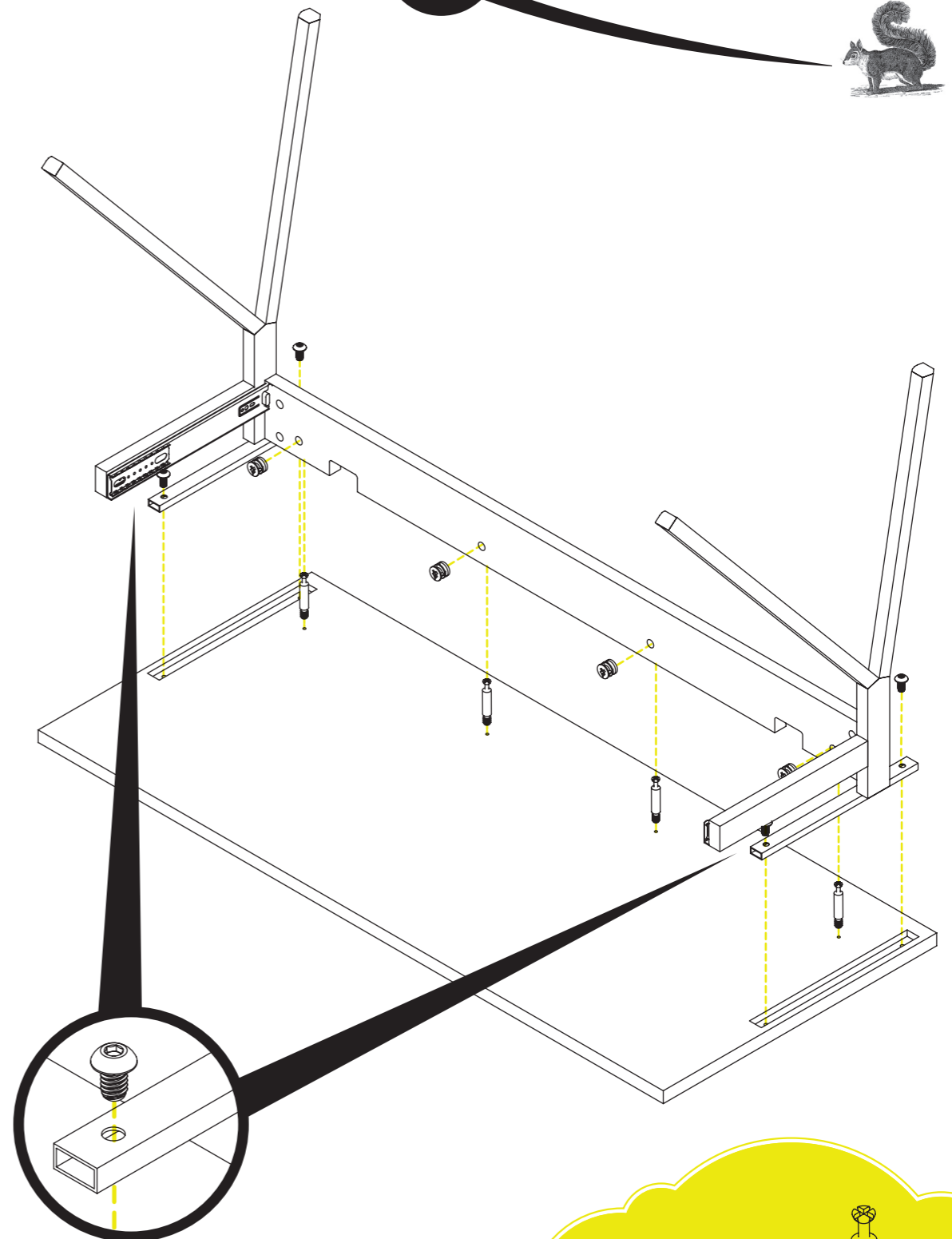


x4
5001



x4
5006

2



x4
1005

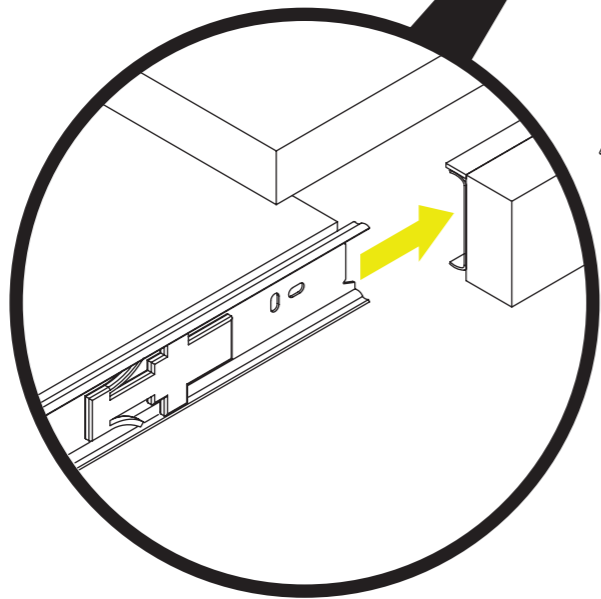
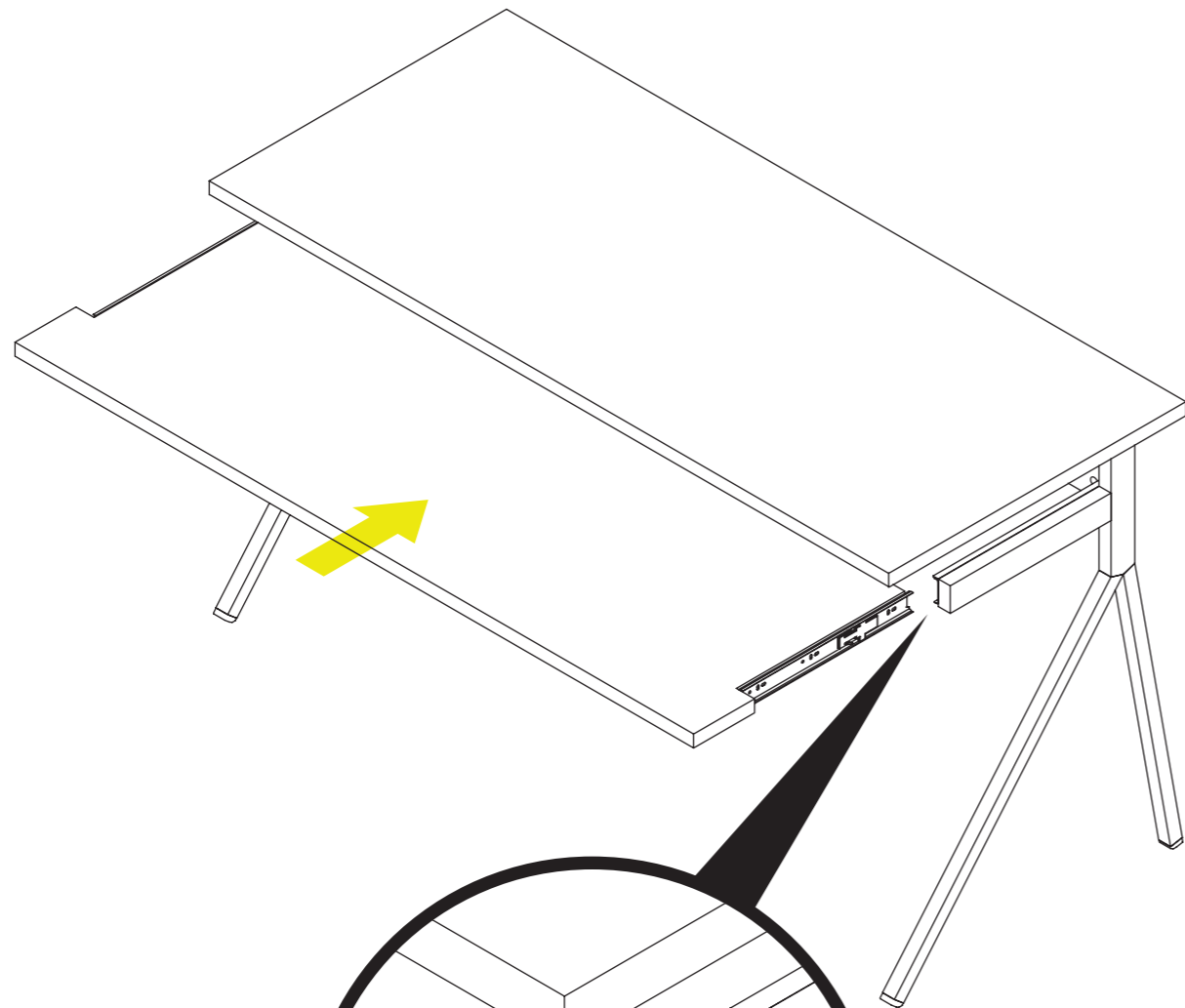


x4
5001



x4
5002

3



NOTE

To remove the tray:
push and hold tabs in
while pulling the tray out

