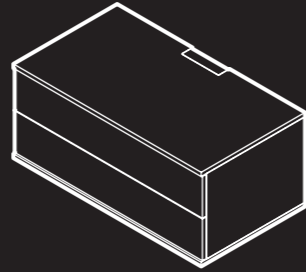


BLU
DOT

WONDER WALL

ASSEMBLY NOTES

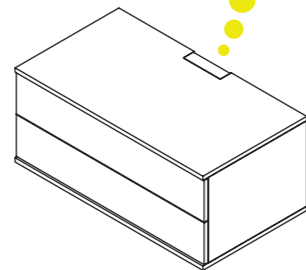
TAKE A SAD WALL
MAKE IT BETTER



CARE

Clean with a slightly damp, soft cloth. To remove dirt and fingerprints, use a quality cleaner formulated for wood furniture. Wipe completely dry with a soft cloth in the direction of the wood grain.

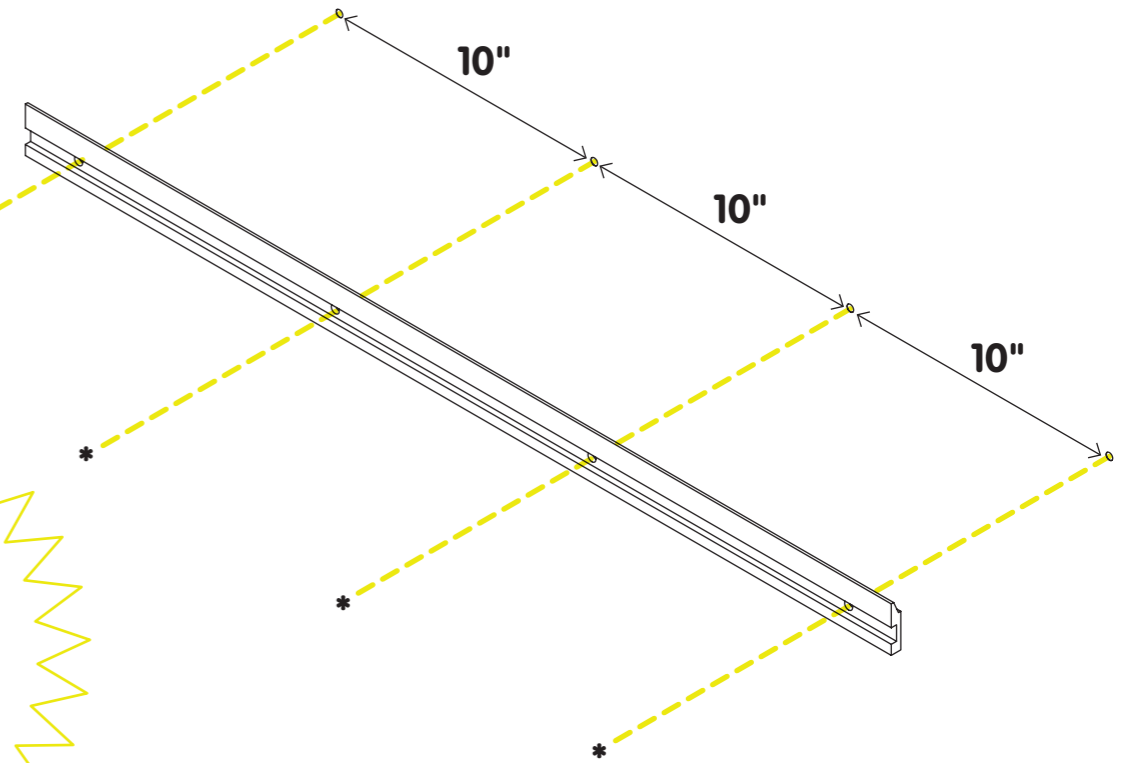
PARTS



To determine the hardware best suited for your type of wall and anticipated load, consult your local hardware professional.

Installation of the Wonder Wall is not for the faint of heart. We recommend professional installation to ensure proper mounting.

1



2

