



Bookshelf Pot Rack Installation Instructions

Thank you for purchasing the Rogar International Shelf and Pot Rack. Installation of this storage unit is quick and easy, requiring only routine hand tools.

1. **Tools required:**

- Drill
- Hex Wrench (supplied with rack)
- Level
- Pencil
- Pliers or wrench (small crescent wrench works well)
- Screwdriver (Phillips)
- Tape Measure

A method of locating the wall studs is required. An electronic, sonic, or magnetic stud finder is best, though other means may be utilized.

2. **Parts List** -check the contents of the box to insure all parts have been included.

- A. Shelf (1 each)
- B. Vertical Support Arms (2 each)
- C. Grid (1 each)
- D. Button Head Screws (2 each)
- E. Acorn Nut (2 each)
- F. 1-1/4" Wood Screws (5 each)
- G. Plastic Wall Anchors (5 each, Optional Use)
- H. Hex Wrench (1 each)
- I. Eye Hooks (6 each) & "S" Hooks (2 each)

Parts A, B & C depicted in Figure 1; D, & E are depicted in Figure 2; and F in Figure 3.

3. **Assembly of Bookshelf Pot Rack:**

Refer to Figure 2. Attach the two vertical support arms to the shelf with the button head screws and acorn nuts. Only finger tighten the screws at this time.

Do not put grid in the shelf until after the rack is mounted on the wall.

4. **Planning the Installation:**

Caution: The Pot Rack should be attached directly to structural framing members, such as wall studs. Mounting to wallboard, plaster, etc., is not recommended even if using the optional wall anchors or toggle bolts, as they may not be adequate.

The Pot Rack, when loaded with books, cookware, utensils, etc., is quite heavy. Therefore, the supplied wood screws should be attached directly to the wall studs, or other structural framing members. When deciding where to hang the Pot Rack, access to the wall studs should be considered. Do not put grids in the shelf until after attaching the rack to the wall.

5. **Hanging the Pot Rack:**

The Pot Rack design allows for mounting on common 16-inch center studs. The three mounting holes on the shelf are 16 inches apart, and the vertical support arms should be attached with the mounting holes 32 inches apart.

Refer to Figure 3. Locate the wall studs on the wall at the height you want to mount the shelf. With a pencil, mark the location of 3 side-by-side studs. The marks should be approximately 16 inches apart.

In the following sequence, drill five holes using a drill bit slightly smaller than the threaded section of the wood screws. Make sure the bit drills into the wall stud; if it drills into an open area, search for the wall stud, and drill a new hole.

Drill a hole for the center wood screw on the shelf and attach the shelf to the wall. Do not set the wood screw firmly at this time, because the shelf must move to level the rack.

With the use of a level, or by measuring the distance from the floor at both ends, adjust the shelf to a level position and mark the remaining two screw holes. Rotate the shelf up or down in order to drill the two marked mounting holes. Screw in two wood screws; again do not set the screws firmly.

Align the two vertical support arms with the two outermost wall studs and mark the screw holes with pencil. (Loosen the screws if necessary in order to slightly twist the arms exposing the hole marks.) Confirm the marks are over studs and 32 inches apart (both parts should visually look perpendicular to the shelf). Drill the two holes and screw in the wood screws.

Tighten all screws, lay in the grid, and hang the hooks to complete the installation of your new rack.

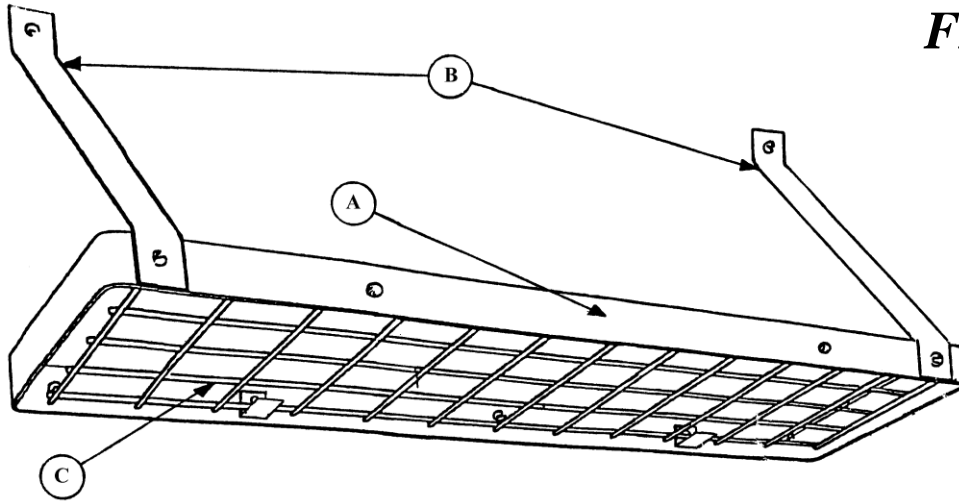


FIGURE 1

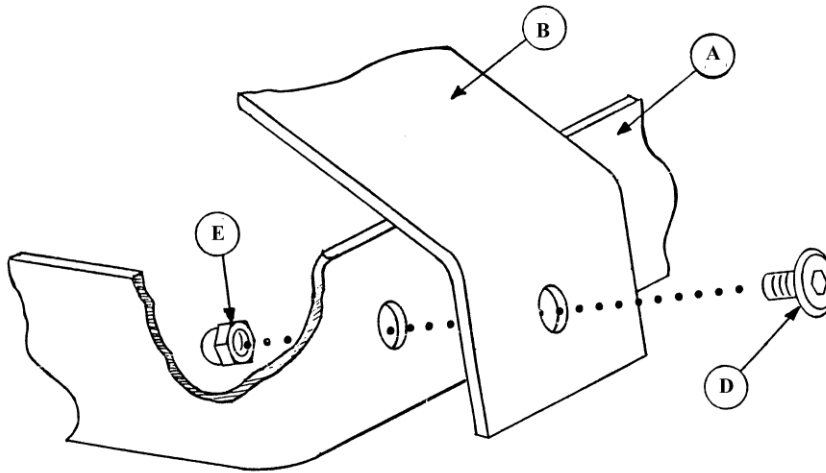


FIGURE 2

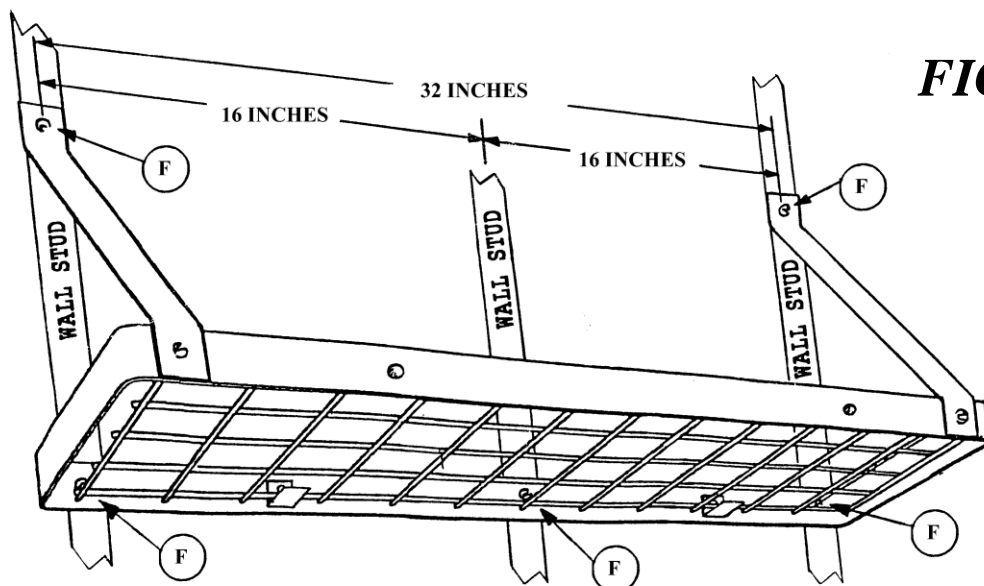


FIGURE 3