

Cuisinart®

INSTRUCTION BOOKLET



Fully Automatic Burr Grind & Brew™ Thermal Coffeemaker

DGB-900 Series

For your safety and continued enjoyment of this product, always read the instruction book carefully before using.

IMPORTANT SAFEGUARDS

When using electrical appliances, basic safety precautions should always be followed to reduce the risk of fire, electric shock and/or injury to persons, including the following:

- 1. READ ALL INSTRUCTIONS.**
2. Do not touch hot surfaces. Use handles and knobs.
3. To protect against electric shock, do not place cord, plug, or base unit in water or other liquids.
4. This appliance should not be used by or near children or individuals with certain disabilities.
5. Always unplug from outlet when not in use and before cleaning. Allow to cool before putting on or taking off parts and before cleaning the appliance.
6. Do not operate any appliance with a damaged cord or plug or after the appliance malfunctions or has been dropped or damaged in any manner. Return appliance to the nearest Cuisinart Repair Center for examination, repair, and electrical or mechanical adjustment.
7. The use of accessory attachments not recommended by Cuisinart may cause injuries.
8. Do not use outdoors.
9. Do not let cord hang over edge of table or counter, or touch hot surface.
10. Do not place on or near a hot gas or electric burner, or in a heated oven.
11. Always fill water reservoir first, then plug cord into the wall outlet. To disconnect, push the Off button, then remove plug from wall outlet.
12. Do not use appliance for other than intended use.
13. Snap lid securely onto carafe before serving any beverages.
14. Scalding may occur if the lid is removed during the brewing cycle.
15. The thermal carafe is designed for use with these appliances only. It must never be used on the range top.
16. Do not set a hot carafe on a wet or cold surface.
17. Do not use a cracked carafe or a carafe having a loose or weakened handle.
18. Do not clean carafe or resting plate with cleansers, steel wool pads, or other abrasive materials.
19. **WARNING: TO REDUCE THE RISK OF FIRE OR ELECTRIC SHOCK, DO NOT REMOVE THE BASE PANEL. NO USER SERVICEABLE PARTS ARE INSIDE. REPAIR SHOULD BE DONE ONLY BY AUTHORIZED PERSONNEL.**
20. Avoid contact with moving parts.
21. Check grinder basket for presence of foreign objects before using.
22. Use the coffee grinder to grind roasted coffee beans only. Grinding other substances, such as nuts, spices or unroasted beans may dull the blade and cause poor grinding or injury.
23. Do not place cloth or otherwise restrict airflow beneath coffeemaker.
24. Use only the Cuisinart® Gold Tone Commercial Style Filter or standard #4 basket paper filter with this unit. OTHER GOLD TONE PERMANENT FILTERS MAY CAUSE THE COFFEEMAKER TO OVERFLOW.

SAVE THESE INSTRUCTIONS

FOR HOUSEHOLD USE ONLY

WARNING: RISK OF FIRE OR ELECTRIC SHOCK



The lightning flash with arrowhead symbol within an equilateral triangle is intended to alert the user to the presence of uninsulated dangerous voltage within the product's enclosure that may be of sufficient magnitude to constitute a risk of fire or electric shock to persons.



The exclamation point within an equilateral triangle is intended to alert the user to the presence of important operating and maintenance (servicing) instructions in the literature accompanying the appliance.

SPECIAL CORD SET INSTRUCTIONS

A short power-supply cord is provided to reduce the risks resulting from becoming entangled in or tripping over a longer cord.

Longer extension cords are available and may be used if care is exercised in their use.

If a long extension cord is used, the marked electrical rating of the extension cord must be at least as great as the electrical rating of the appliance, and the longer cord should be arranged so that it will not drape over the countertop or tabletop where it can be pulled on by children or tripped over.

NOTICE

This appliance has a polarized plug (one blade is wider than the other). To reduce the risk of electric shock, this plug will fit into a polarized outlet only one way. If the plug does not fit fully into the outlet, reverse the plug. If it still does not fit, contact a qualified electrician. Do not modify the plug in any way.

OPERATING NOTICE

Clogging and backing up of water and/or coffee in the filter basket can occur under any or a combination of any of the following conditions: The use of too finely ground coffee, using two or more paper filters, using the gold tone filter in conjunction with a paper filter or not properly cleaning coffee grounds from the gold tone filter, or allowing coffee grounds to spill over the filter.

Caution: Never open the filter basket during the brewing cycle, even if no water is draining from the filter basket, since extremely hot water/coffee can spill out from the filter basket and cause injury. If water/coffee is not draining from the filter basket during the brewing cycle, unplug the unit and wait 10 minutes before opening and checking the filter basket.

	WARNING RISK OF FIRE OR ELECTRIC SHOCK DO NOT OPEN	
WARNING: TO REDUCE THE RISK OF FIRE OR ELECTRIC SHOCK, DO NOT REMOVE COVER (OR BACK) NO USER-SERVICEABLE PARTS INSIDE REPAIR SHOULD BE DONE BY AUTHORIZED SERVICE PERSONNEL ONLY		

INTRODUCTION

The burr mill grinder in your new Fully Automatic Burr Grind & Brew™ Thermal Coffeemaker is responsible for the superior coffee flavor you are about to experience! Add to that the pleasure of choosing the flavor strength you like best, easy-to-use controls, and a thermal carafe that keeps coffee hot and fresh for hours, and you'll understand why we say this Cuisinart® coffeemaker is a grind above the rest. Enjoy!

CONTENTS

Important Safeguards	2
Introduction	4
Unpacking Instructions	4
The Quest for the Perfect Cup of Coffee	5
Features and Benefits	6
Control Panel	8
Programming Your Coffeemaker	8
Inserting the Water Filter	9
Making Coffee with Whole Beans	9
Making Coffee with Pre-Ground Beans	11
Cleaning and Maintenance	11
Troubleshooting	12
Warranty	13

IMPORTANT UNPACKING INSTRUCTIONS

1. Place the box on a large, sturdy, flat surface.
2. Remove the instruction book and any other literature.
3. Turn the box so that the back side of the coffeemaker is down and slide the coffeemaker from the box.
4. After the coffeemaker has been removed, place the box out of the way and lift off the left and right polyfoam insert.
5. Remove cardboard insert from carafe handle.
6. Remove the cardboard insert between the carafe lid and Brew Pause™ mechanism by sliding it out of the unit.
7. Grasp the carafe by its handle, remove it from the resting plate, and remove the polybag.
8. Remove the polybag covering the coffeemaker.

We suggest you save all packing materials in the event that future shipping of the machine is needed. Keep all plastic bags away from children.

THE QUEST FOR THE PERFECT CUP OF COFFEE

It is generally agreed that there are four basic elements critical to the perfect cup of coffee:

Element 1: Water

Coffee is 98% water. Often overlooked, the quality of the water is as important as the quality of the coffee. A good rule of thumb is that if your water doesn't taste good from the tap, it won't taste any better in your coffee. That's why Cuisinart has added a water filter to the Fully Automatic Burr Grind & Brew™ Thermal Coffeemaker. The charcoal water filter removes chlorine, bad tastes and odors, for the purest cup of coffee every time.

Element 2: Coffee

While the bulk of the liquid is water, all of the flavor should be from the coffee. To achieve the same great quality cup of coffee you receive at a coffee bar, you need to use the same quality beans. Buy the beans fresh and whole, only about two weeks' supply at a time for maximum freshness. Once the coffee bean is broken, its flavor degrades very quickly. That's why the Fully Automatic Burr Grind & Brew™ Thermal Coffeemaker grinds your coffee just prior to brewing. If it is not practical to buy small supplies, we recommend you separate larger amounts of beans into one to two week portions immediately after purchase, and freeze them in airtight containers. The best way to maximize freshness is to minimize exposure to air, light and moisture. So, once beans have been removed from the freezer, maintain them in a sealed container at room temperature, since damaging condensation occurs every time the beans are removed from the freezer or refrigerator. Note that some coffee experts advise against freezing dark-roast beans, because freezing can cause the oils to coagulate. Other experts disagree. We suggest you experiment and decide for yourself.

Element 3: Grind

The grind is critical for proper flavor extraction. If the grind is too fine, over-extraction and bitterness will result. Too fine a grind may also clog the filter. If grind is too coarse, the water will pass through too quickly and the desired flavors will not be extracted. The Fully Automatic Burr Grind & Brew™ Thermal Coffeemaker is preset for a medium grind, the optimal grind for this type of coffeemaker.

Element 4: Proportion

The Fully Automatic Burr Grind & Brew™ Thermal Coffeemaker makes up to twelve cups (54 oz.) of coffee.

Using Whole Beans

We recommend refilling the hopper after two full pots of coffee have been brewed. Be sure that you have a sufficient amount of beans in your hopper for the amount of coffee you intend to brew.

NOTE: The maximum capacity for whole beans is ½ lb. — enough for over two 12-cup pots of coffee.

Using Pre-Ground Coffee

Although it is preferable to use fresh, whole beans, you can make coffee in the Fully Automatic Burr Grind & Brew™ Thermal Coffeemaker using pre-ground beans. To do so, turn off the grinder by pressing the Grind Off button before turning on the unit.

Our recipe

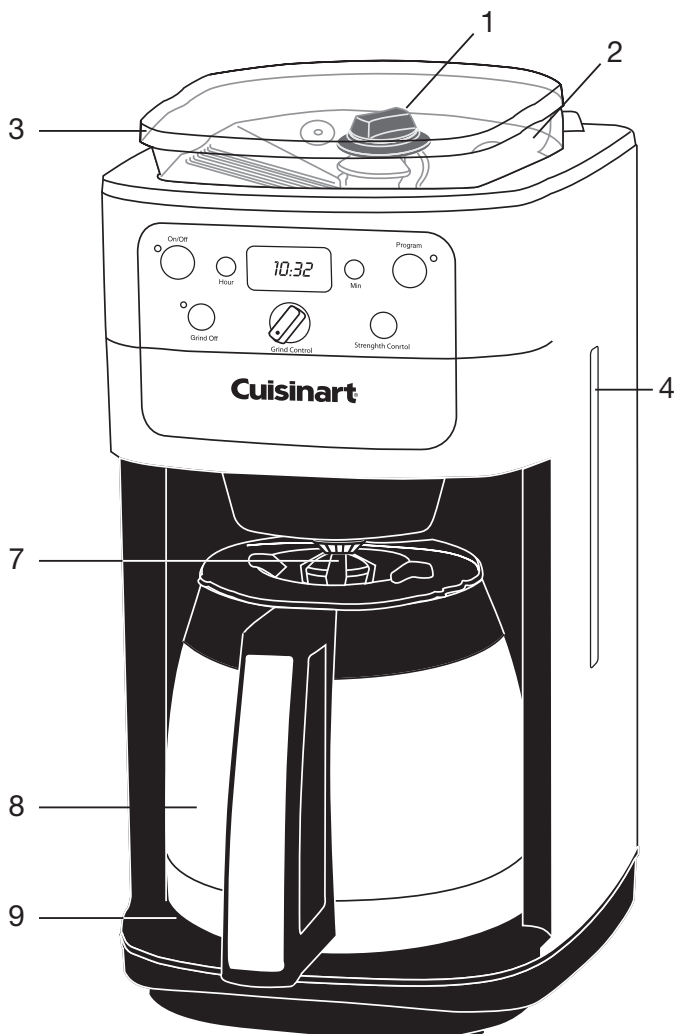
We suggest that you use 1 level scoop of ground coffee per cup. Adjust the amount to your taste.

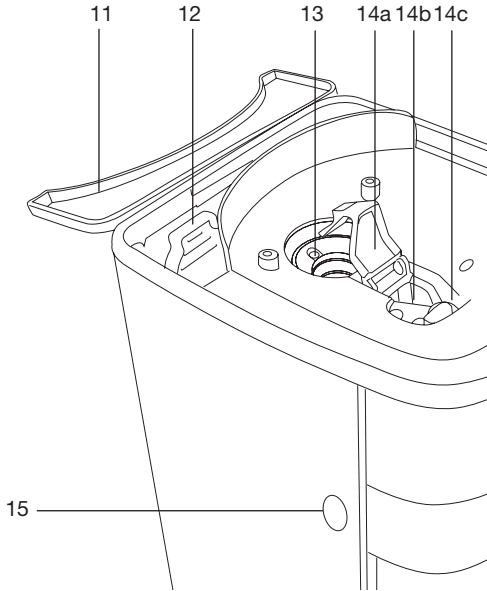
NOTE: The maximum capacity for ground coffee is 16 level scoops, using either a paper or permanent filter. Exceeding this amount may cause overflow.

FEATURES AND BENEFITS

- 1. Hopper Container Release Knob**
Locks hopper container onto the unit.
- 2. Hopper Container**
Can be taken out from the unit, for easy filling and and/or cleaning. A safety interlock system prevents operation of the unit if the hopper container is removed.
- 3. Hopper Container Lid**
Keeps beans fresh by sealing out harmful light, moisture and air.
- 4. Water Reservoir (not shown) with Water Level Window**
- 5. Showerhead (not shown)**
Distributes water evenly over coffee.
- 6. Control Panel**
(see detailed drawing on page 8)
Contains:
On/Off Switch
Hour Set/Minute Set
Clock Display
Program Setting
Grind Off
Grind Control
Strength Control

- 7. Brew Pause™**
Stops flow of coffee from basket when carafe is removed from resting plate, so a cup can be poured in mid-brew, if desired.
Do not remove carafe for longer than 20 seconds.
- 8. Thermal Carafe with Hands-Free Lid**
An easy pour, no drip double-wall insulated 12-cup stainless steel thermal carafe with ergonomic handle.
Coffee brews through and pours through a unique lid that seals air out to provide fresh flavor. No need to turn or adjust lid.
- 9. Resting Plate**
Scratch-resistant with nonstick coating.





10. Cord Storage (not shown)

11. Water Reservoir Cover

Flips back for easy filling.

12. Charcoal Water Filter (not shown) and Holder (see page 9 for actual filter)

Charcoal water filter eliminates chlorine, bad tastes and odors from tap water.

13. Burr Grinder

14. Coffee Channel Assembly

a. Channel Cover

Flips back, for cleaning of coffee chute.

NOTE: Cover must be in place before grinding.

b. Coffee Chute

c. Grind Chute Lever

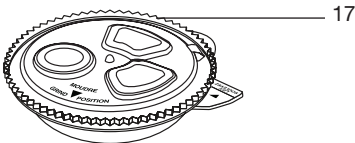
For easy cleaning.



15. Filter Basket Door Release Button

16. Filter Basket Door

A safety interlock system prevents operation of the unit if the filter basket door is not closed prior to brewing. (You will hear a click when the door is properly shut.)



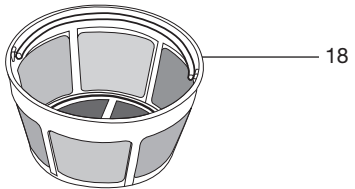
17. Filter Basket Cover

Before grinding match GRIND arrows.

To remove, lift where "LIFT" indicates.

NOTE: Cover becomes hot after coffee is brewed. Use caution when removing cover.

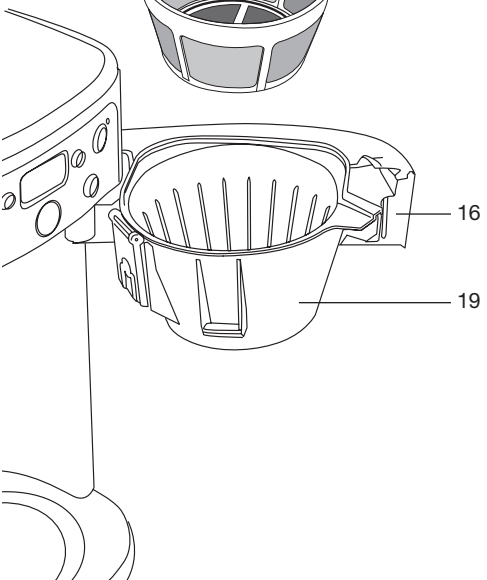
A safety interlock system prevents operation of the unit if the filter basket cover is not in place.



18. Gold Tone Cuisinart Commercial Style Filter

A note about filters: When using our permanent filter, be sure that the handle is positioned toward the front of the unit. If you do not, the handle may interfere with the flow of coffee into the filter basket.

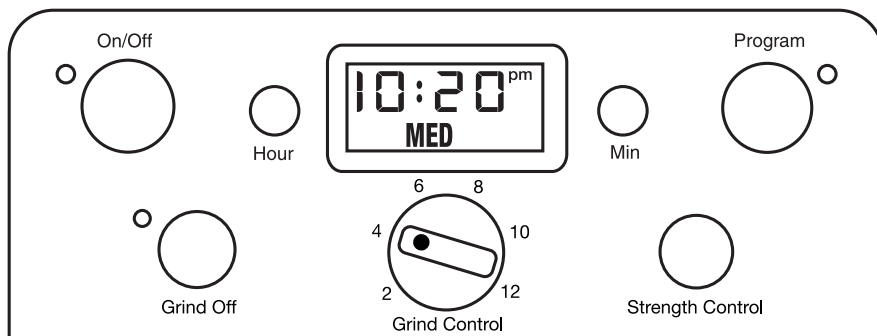
Also note: using our permanent gold-tone filter will allow some fine coffee grounds to fall into the coffee carafe. This will appear as sediment in the carafe.



19. Filter Basket

Holds our commercial style permanent filter or #4 paper filter. Removable for easy cleaning.

A safety interlock system prevents operation of the unit if the filter basket door is not closed prior to brewing.



CONTROL PANEL

1. On/Off button with LED Indicator

Audible Tone (not shown): The Fully Automatic Burr Grind & Brew™ Thermal Coffeemaker is equipped with an audible tone which will sound 5 times when the coffee has completed brewing (coffee may continue to stream from the filter for several seconds afterward). Unit will automatically shut off.

2. Hour and Minute Buttons

Press and hold either Hour or Min for approximately 2 seconds to enter Time Set Mode.

3. Clock/LCD Display

Displays time of day and program setting when Program button is pressed. Displays Strength Control setting (MILD, MED or STRONG)

4. Program Button with LED Indicator

Press to display or set Auto On time.

5. Grind Off Button with LED Indicator

Use to turn off the grinder when using pre-ground coffee.

6. Grind Control Knob

Turn the Grind Control to choose the desired amount of coffee beans to grind.

7. Strength Control Button

Press to choose coffee strength: mild, medium, or strong. Selected coffee strength will show on Clock Display.

mode and can operate either button to select the desired time. The buttons can be held down to scroll through the digits, or pressed and released to advance one digit at a time. When scrolling, the numbers will advance slowly at first and then speed up to the rate of about three per second. When the number displayed approaches the desired time, release the button and press repeatedly to advance one digit at a time. Be careful to make sure that the PM indicator is on if a PM time is desired.

Exiting Time Set Mode

The Time Set mode can be exited in one of two ways:

1. Press any button besides the Hour or Minute button. This will exit the Time Set mode and activate the selected function.
2. Do nothing. If neither the Hour or Minute button is pressed for a period of five seconds, the Time Set mode will be exited.

Setting the Program Time

When you press the Program Set button, it displays the current auto on time (default time 12:00 pm).

Entering Set Program Time Mode

Press and hold the Program Set button (about 2 seconds) until the green light and LCD display begin to flash. This signals that you have entered the Set Program Time mode. The desired time can be set by pressing the Hour and Minute buttons to scroll forward through the digits. Pressing and holding either button will allow you to scroll continuously, slowly at first, and then to accelerate to the rate of about three digits per second. As the desired time setting approaches, release the button and press repeatedly to advance one digit at a time. The coffeemaker will start to brew at the programmed time. The Program mode cannot be entered if the coffeemaker is in its brew cycle.

Exiting Set Program Time Mode

Set Program Time may be exited in any of three ways:

PROGRAMMING YOUR COFFEEMAKER

Setting the Clock

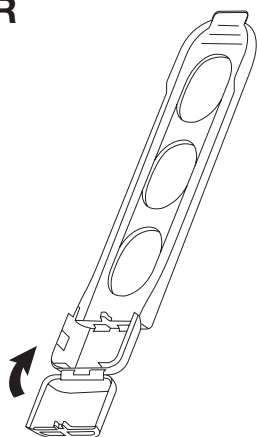
When the coffeemaker is plugged in, 12:00 will appear until you set the time.

Entering Time Set Mode

To set the time, hold down either the Hour or Minute button until the clock begins flashing (about 2 seconds). You are now in the Time Set

1. Press the Program Set button again. This will cause the coffeemaker to revert to its previous state.
2. Press any other button (except Hour or Minute). Set Program Time mode will be exited and the function of the button pressed will be executed.
3. Do nothing. If neither the Hour nor Minute button is pressed for a period of five seconds, the Set Program Time mode will be exited and the programmed setting will be in effect.

INSERTING THE WATER FILTER



- a. Remove the filter from polybag and soak in cold tap water for 15 minutes.
- b. Remove the water filter holder from the coffeemaker by lifting it out of the reservoir area with your thumb and forefinger.
- c. Grasp the stem in one hand. Using the thumb of the other hand, gently press down and pull toward you. Compartment will flip open.
- d. Place the filter in the holder and close the water filter holder; you will hear a snap indicating filter is in place.

NOTE: Caution must be used when inserting the charcoal filter. Improper placement in the holder can cause tearing of the filter skin.

- e. Hold the filter under cold running tap water for 10 seconds to flush. You should place the hole openings in the side of the unit directly under the water stream.
- f. Allow the filter to drain completely.
- g. Replace the water filter holder in the reservoir area of the coffeemaker, pushing it

all the way down to the base of the unit, along the reservoir wall.

NOTE: We recommend changing the water filter every 60 days or 60 uses or more often if you have hard water.

Replacement water filters can be purchased in stores or by calling customer service or through the Cuisinart website.

MAKING COFFEE WITH WHOLE BEANS

Before you make the first pot of coffee in your new Cuisinart® Fully Automatic Burr Grind & Brew™ Thermal Coffeemaker, we recommend operating the coffeemaker once, using only water and a paper filter. This will remove any dust or residues which will remain in the system from the manufacturing process. Note: Allow the grinder to grind free of beans for this process.

1. Fill the Water Reservoir

Open the reservoir lid. Pour the desired amount of water in the reservoir using the water level window indicator. Close the reservoir lid. Note: Do not exceed the 12-cup line. Doing so may cause the carafe to overflow.

2. Add Beans

Lift the hopper lid, using the recess on either side. Fill the hopper with beans. We recommend keeping the hopper at least halfway full. Be sure that you have a sufficient amount of beans in your hopper for the amount of coffee you intend to brew (maximum capacity is ½ lb. Do not over-pack the hopper. Over-packing may result in jamming the grinder.)

For easy filling, the hopper container can be taken out by turning the hopper container release knob to the unlock position.

Note: Do not put any water in the unit once the hopper container has been removed. If water gets into the grinder motor, the motor may become damaged and may malfunction.

Put hopper lid back in place.

3. Lock Hopper

If you have removed the hopper from the unit, be sure that the hopper container release knob is in the unlocked position and place the hopper container back in the unit.

Turn the knob to locked position.

This unit is equipped with a safety interlock system. The unit will not grind if the hopper container is not in place. If you try to turn

on the unit for grinding with the hopper out of place, the unit will beep continuously until the missing part is installed.

The brewing process can be restarted by pressing the On button. Restarting the process will not affect coffee results.

4. Insert Coffee Filter

Open filter door by pressing filter basket door release button. Remove filter basket cover and place a #4 basket paper filter or Cuisinart's commercial style permanent filter in the basket.

Note: When using our permanent filter, be sure that the handle is positioned toward the front of the unit. If you do not, the handle may interfere with the flow of coffee into the filter basket.

Also note: Using our permanent gold-tone filter will allow some fine coffee grounds to fall into the carafe.

When using a paper filter, be sure that the filter is completely open while touching the side walls and bottom of the basket.

Put filter basket cover in place. Close filter door. (You will hear a click if the door is properly shut.)

The unit is equipped with a safety interlock system. The unit will not operate if the filter basket cover or filter basket are not in place or if the filter door is not closed. If you try to turn the unit on while the filter compartment is out of place, the unit will beep continuously until the missing part(s) are installed.

Before Brewing Coffee

Remove thermal carafe lid by turning in the direction of the "unlock" arrow. Prewarm carafe by rinsing it out with hot water. PREWARMING THE CARAFE WILL HELP KEEP THE COFFEE HOTTER.

Return the carafe lid to the carafe. To lock the lid, turn in the direction of the lock arrow until it fits tightly on carafe and arrow lines up in the center of the pour spout. This ensures that the lid is closed and in the proper position for brewing and pouring.

Make sure you have replaced the thermal carafe in it's position on the resting plate and closed the top cover.

5. Brewing

A. Immediate Grinding and Brewing

1. Turn the Grind Control Knob to set the number of cups you want to brew. The coffeemaker will grind the corresponding amount of beans. The unit will automatically adjust for low cup settings.

2. Press the Strength Control button to set coffee strength. MILD, MED or STRONG will show on the LCD display.
3. Press the On button. The indicator will light and the process will begin.

B. Programmed Brewing

Press the Program button. The indicator will light and the display will show the programmed time for as long as the button is depressed. The display reverts back to time of day once the button is released. (To set the programmed time, see Programming Your Coffeemaker on page 8.)

1. Turn the Grind Control knob to set the number of cups you want to brew. The coffeemaker will grind the corresponding amount of beans. The unit will automatically adjust for low cup settings.
2. Press the Strength Control button to set coffee strength. MILD, MED or STRONG will show on the LCD display.
3. The coffeemaker will begin brewing at the programmed time.

6. During and After Brewing

The Brew Pause™ feature allows you to remove the carafe from the resting plate during mid-brew. The brewing process does not stop during this period; only the flow of coffee from the basket stops. Do not remove the carafe for longer than 20 seconds or the coffee may overflow the basket. While we offer this feature, we do not recommend that you pour coffee before the cycle has reached completion, since the coffee brewed at the beginning of the cycle has a flavor profile which is very different from the coffee made at the end of the cycle. Removing a cup during the brewing cycle will alter the flavor of the finished pot.

When the brewing cycle is completed, five beeps will sound. Coffee will continue to stream from the filter for several seconds. After brewing, the unit will automatically shut itself off. The thermal carafe will keep the coffee hot for hours.

Bottom of thermal carafe is hot to touch for several minutes after brewing. Use caution.

MAKING COFFEE WITH PRE-GROUND BEANS

Before you make the first pot of coffee in your new Cuisinart® Fully Automatic Burr Grind & Brew™ Thermal Coffeemaker, we recommend operating the coffeemaker once, using only water and a paper filter. This will remove any dust or residues that remain in the system from the manufacturing process.

1. Fill the Water Reservoir

Open the reservoir lid. Pour the desired amount of water in the reservoir using the water level window indicator. Close the reservoir lid. Note: Do not exceed the 12-cup line. Doing so may cause the carafe to overflow.

2. Add Coffee Grounds

- a. Open filter door. Add ground coffee to our permanent or #4 paper filter. Our recipe suggestion: Use 1 level scoop of ground coffee per cup. Adjust the amount according to your individual taste.
- b. Place filter basket lid in place. Close filter door.

NOTE: The maximum capacity for ground coffee is 16 level scoops, using either a paper or permanent filter. Exceeding that amount may cause overflow if the coffee is too finely ground.

3. Brewing

A. Immediate Grinding and Brewing

1. Press the Grind Off button. When this function is activated, an amber LED will be illuminated.
2. Press the On button. The indicator will light and the process will begin.

B. Programmed Brewing

Press the Program button. The indicator will light and the display will show the programmed time for as long as the button is depressed. The display reverts back to time of day once the button is released. (To set the programmed time, see Programming Your Coffeemaker on page 8.)

1. Press the Grind Off button. When this function is activated, an amber LED will be illuminated.
2. The coffeemaker will begin brewing at the programmed time.

CLEANING AND MAINTENANCE

COMPLETELY CLEAN AND DRY ALL PARTS AFTER EVERY USE.

Always turn coffeemaker off and remove the plug from the electrical outlet before cleaning.

After every use, open filter basket door by pressing filter basket door release button. Remove filter basket cover, filter basket and gold tone filter or paper filter. Discard ground coffee and paper filter.

The filter, filter basket and filter basket cover can be washed in warm soapy water and rinsed thoroughly, or cleaned in the upper rack of the dishwasher. Dry all parts after every use.

Remove the carafe from the heating plate. Discard any remaining coffee. The carafe and lid can be washed in warm soapy water and rinsed thoroughly.

We suggest cleaning the hopper and coffee chute every 1-2 weeks depending on frequency of use.

To clean the hopper, remove hopper container and lid by turning the hopper container release knob to the unlocked position. Discard any leftover coffee beans.

The hopper container and hopper container lid can be washed in warm soapy water and rinsed thoroughly, or cleaned in the upper rack of the dishwasher. Dry all parts after every use.

NOTE: Do not put any water in the unit once the hopper container has been removed. If water gets into the grinder motor, the motor may become damaged and may malfunction.

Wipe the area under the hopper container with a damp cloth.

The coffee channel cover can be flipped back for easy cleaning of the coffee chute. Push the coffee channel cover tab away from you and lift up. Use the brush to remove any ground coffee that remains. Brush grounds toward you (when facing the unit head-on) and pull the grind chute lever toward you to send grounds through the chute. Be sure the filter basket is in place to catch the grounds.

NOTE: Failing to properly clean the coffee chute may lead to grind accumulations which can result in weak-tasting coffee.

Do not use scouring agents or harsh cleansers on any part of the coffeemaker.

Never immerse base unit in water or other liquid. To clean base, simply wipe with a clean, damp

cloth and dry before storing. Wipe heating plate with a clean, damp cloth. Never use rough, abrasive materials or cleansers to clean the resting plate. Do not dry the inside of the water reservoir with a cloth, as lint may remain.

To clean, fill the water reservoir to capacity with a mixture of 1/3 of white vinegar and 2/3 water. Press the Grind Off button, and turn the coffeemaker on by pressing the On button. One cycle should be sufficient to adequately clean the coffeemaker. When the cycle is completed and the five beeps sound, turn coffeemaker off. Repeat operation, this time using fresh cold water.

DECALCIFICATION

Decalcification refers to removing the calcium deposits which form over time on the metal parts of the coffeemaker.

For best performance from your coffeemaker, decalcify the base unit from time to time. The frequency depends upon the hardness of your tap water and how often you use the coffeemaker.

TROUBLESHOOTING

PROBLEM	CAUSE	SOLUTION
Continuous beeping	Hopper not locked in place (when brewing with whole beans)	<ul style="list-style-type: none"> • Check to see if the hopper container release knob is in the unlocked position • Place the hopper container on the unit • Turn the knob to the locked position • Press On/Off or Program again to resume
	Filter door not closed	<ul style="list-style-type: none"> • Check to be sure that all components of the filter compartment are in place • Close filter door (you will hear a click if the door is properly shut) • Press On/Off or Program again to resume
	Filter basket not in place	<ul style="list-style-type: none"> • Open filter door by pressing the filter door release button • Hook filter basket with cover onto door • Close filter door (you will hear a click if the door is properly shut) • Press On/Off or Program again to resume
	Filter basket cover not in place	<ul style="list-style-type: none"> • Open filter door by pressing the filter door release button • Put on cover, matching “grind” arrows • Hook filter basket with cover onto door • Close filter door (you will hear a click if the door is properly shut) • Press On/Off or Program again to resume
	Filter Basket not emptied of used grinds	<ul style="list-style-type: none"> • Open filter door by pressing the filter door release button • Remove filter basket with cover • Discard used grounds • Replace filter basket with cover and close door • Press On/Off or Program again to resume
Coffee is weaker than usual	Coffee chute is clogged	<ul style="list-style-type: none"> • Remove the hopper from the unit • Lift coffee channel cover • Clean out coffee chute • Replace channel cover and hopper • Your coffeemaker is now ready to brew again
	Not enough beans in hopper	<ul style="list-style-type: none"> • Be sure there are enough beans in your hopper for the amount of coffee you intend to brew
	Strength setting is incorrect	<ul style="list-style-type: none"> • Check your strength setting — displayed on the LCD screen • To change your strength settings press the strength control button

WARRANTY

LIMITED THREE-YEAR WARRANTY

This warranty is available to consumers only. You are a consumer if you own a Cuisinart® Fully Automatic Burr Grind & Brew™ Thermal Coffeemaker that was purchased at retail for personal, family or household use. Except as otherwise required under applicable law, this warranty is not available to retailers or other commercial purchasers or owners.

We warrant that your Cuisinart® Fully Automatic Burr Grind & Brew™ Thermal Coffeemaker will be free of defects in materials and workmanship under normal home use for 3 years from the date of original purchase.

We suggest you complete and return the enclosed product registration card promptly to facilitate verification of the date of original purchase. However, return of the product registration card does not eliminate the need for the consumer to maintain the original proof of purchase in order to obtain the warranty benefits. In the event that you do not have proof of purchase date, the purchase date for purposes of this warranty will be the date of manufacture.

If your Cuisinart® Fully Automatic Burr Grind & Brew™ Thermal Coffeemaker should prove to be defective within the warranty period, we will repair it, or if we think necessary, replace it. To obtain warranty service, simply call our toll-free number 1-800-726-0190 for additional information from our Customer Service Representatives, or send the defective product to Customer Service at Cuisinart, 150 Milford Road, East Windsor, NJ 08520.

To facilitate the speed and accuracy of your return, please enclose \$10.00 for shipping and handling of the product.

Please pay by check or money order (California residents need only supply proof of purchase and should call 1-800-726-0190 for shipping instructions).

NOTE: For added protection and secure handling of any Cuisinart® product that is being returned, we recommend you use a traceable, insured delivery service. Cuisinart cannot be held responsible for in-transit damage or for packages that are not delivered to us. Lost and/or damaged products are not covered under warranty. Please be sure to include your return address, daytime phone number, description of the product defect, product model number (located on bottom of product), original date of purchase, and any other information pertinent to the product's return.

Your Cuisinart® Fully Automatic Burr Grind & Brew™ Thermal Coffeemaker has been

manufactured to the strictest specifications and has been designed for use with the authorized accessories and replacement parts.

This warranty expressly excludes any defects or damages caused by accessories, replacement parts, or repair service other than those that have been authorized by Cuisinart.

This warranty does not cover any damage caused by accident, misuse, shipment or other ordinary household use.

This warranty excludes all incidental or consequential damages. Some states do not allow the exclusion or limitation of these damages, so they may not apply to you.

CALIFORNIA RESIDENTS ONLY:

California law provides that for In-Warranty Service, California residents have the option of returning a nonconforming product (A) to the store where it was purchased or (B) to another retail store which sells Cuisinart products of the same type.

The retail store shall then, at its discretion, either repair the product, refer the consumer to an independent repair facility, replace the product, or refund the purchase price less the amount directly attributable to the consumer's prior usage of the product. If the above two options do not result in the appropriate relief to the consumer, the consumer may then take the product to an independent repair facility if service or repair can be economically accomplished. Cuisinart and not the consumer will be responsible for the reasonable cost of such service, repair, replacement, or refund for nonconforming products under warranty.

California residents may also, according to their preference, return nonconforming products directly to Cuisinart for repair, or if necessary, replacement, by calling our Consumer Service Center toll-free at 1-800-726-0190.

Cuisinart will be responsible for the cost of the repair, replacement, and shipping and handling for such products under warranty.

BEFORE RETURNING YOUR CUISINART PRODUCT

If you are experiencing problems with your Cuisinart® product, we suggest that you call our Cuisinart® Service Center at 1-800-726-0190 before returning the product serviced. If servicing is needed, a representative can confirm whether the product is under warranty and direct you to the nearest service location.

Important: If the nonconforming product is to be serviced by someone other than Cuisinart's Authorized Service Center, please remind the servicer to call our Consumer Service Center at 1-800-726-0190 to ensure that the problem is properly diagnosed, the product serviced with the correct parts, and the product is still under warranty.

Cuisinart®

SAVOR THE GOOD LIFE®



Coffeemakers



Food Processors



Toasters



Blenders



Cookware



Ice Cream Makers

Cuisinart offers an extensive assortment of top quality products to make life in the kitchen easier than ever. Try some of our other countertop appliances and cookware, and Savor the Good Life®.

www.cuisinart.com

©2007 Cuisinart
Cuisinart® is a registered
trademark of Cuisinart

Any trademarks or service marks of third parties used herein are the trademarks or service marks of their respective owners.

150 Milford Road
East Windsor, NJ 08520
Printed in China

07CU26221

IB-7541
