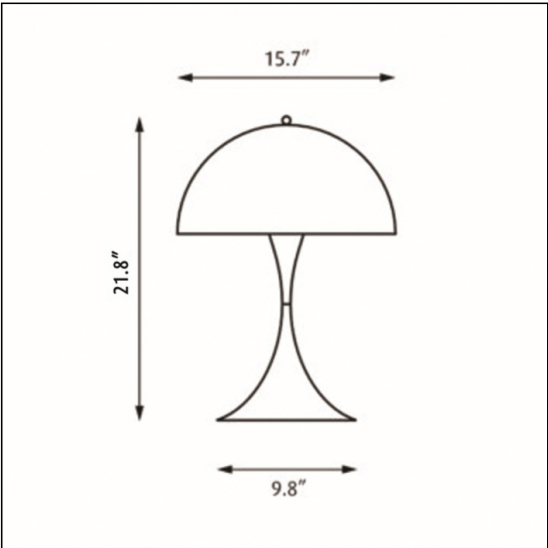


PantheLLa Table

PAN-T

PRODUCT SPECIFICATION

Product description



Design Verner Pantou

Concept The fixture emits a soft and comfortable illumination. The hemispherical shade reflects the light downwards, and the material used ensures that the majority of the light is spread diffusely in the room from the surface of the shade.

Finish White, opal acrylic.

Material Base: White, injection molded ABS. Shade: Injection molded white opal acrylic. Housing: White, injection molded ABS.

Mounting Cord type: White. Cord length: 13'. Switch: In-line on/off switch provided.

Weight Max. 7.7 lbs.

Label cULus, Dry location. IBEW.

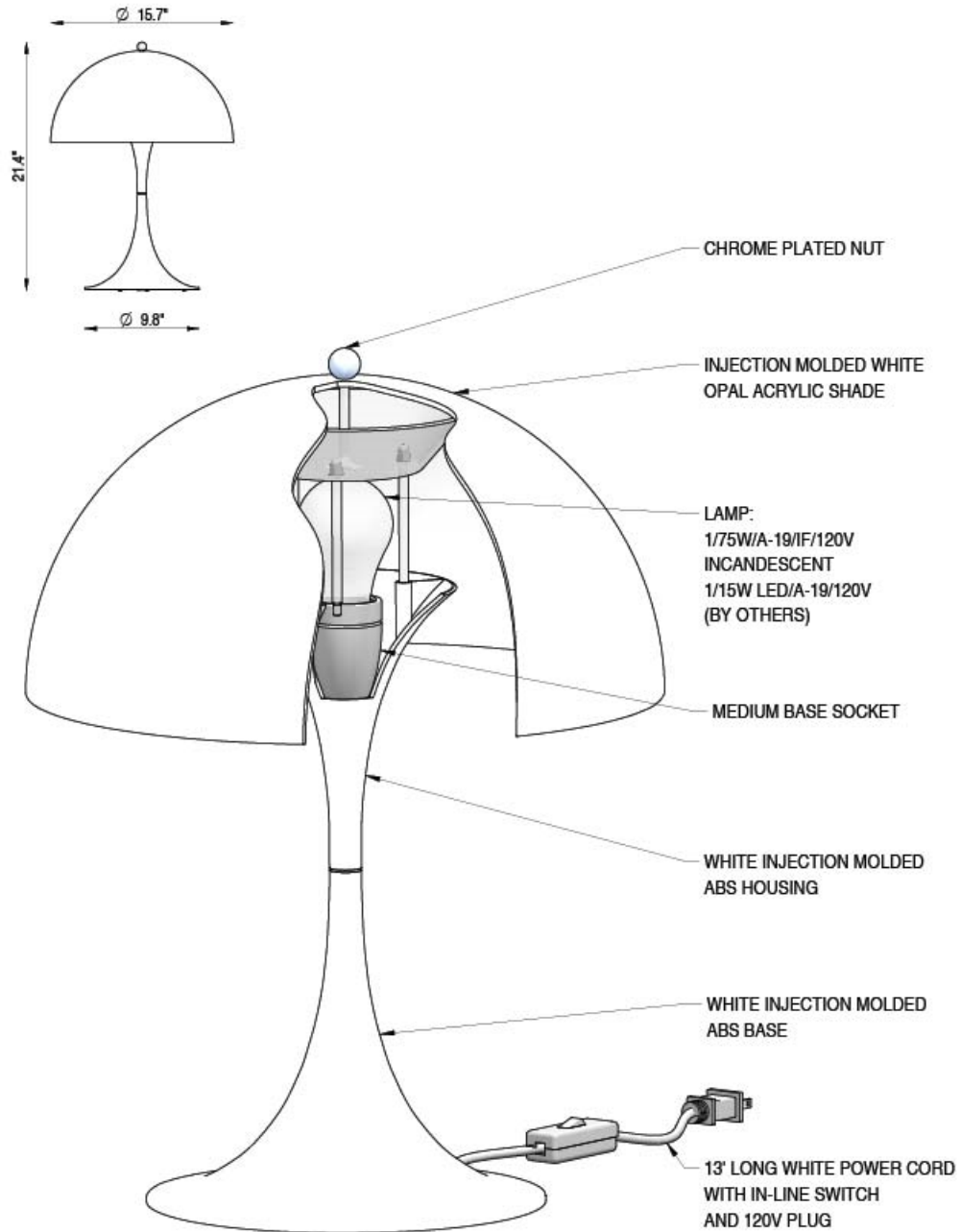
Product Code	Light source	Voltage	Finish
PAN-T	1/15W LED/A-19/medium 1/75W/A-19/IF medium	120V	WHT

Panthea Table

PAN-T

PRODUCT SPECIFICATION

Material description

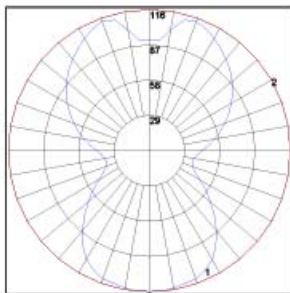


Panthea Table

PAN-T

PRODUCT SPECIFICATION

Light Measurements



Photometric Report: PAN-T-1-75W-INC
 Report No: Louis Poulsen Lighting A/S
 Poulsen Report No: PAN-T-1-75W-INC
 Luminaire: PANTHELLA TABLE
 Lamp: 1/75W/INC/A-19
 Efficiency: 73%

Description: All data shown are per 1200 lumens. This report can be used for calculation on all versions listed below. Use only actual lumen data calculating.

Candlepower Distribution

Vertical Angle	Candela
0	118.0
5	115.8
15	112.8
25	108.4
35	95.3
45	75.8
55	56.7
65	41.4
75	36.8
90	42.9
120	77.9
150	108.6
180	90.9

Zonal Lumen Summary

Zone	Lumens	% Lamp	% Fixture
0-20	43.06	3.60	4.90
0-30	93.02	7.80	10.60
0-40	152.55	12.70	17.40
0-60	261.78	21.80	29.80
0-80	342.68	28.60	39.10
0-90	386.04	32.20	44.00
10-90	375.02	31.30	42.80
20-40	109.49	9.10	12.50
20-50	167.93	14.00	19.10
40-70	150.94	12.60	17.20
60-80	80.90	6.70	9.20
70-80	39.19	3.30	4.50
80-90	43.36	3.60	4.90
90-110	116.87	9.70	13.30
90-120	188.28	15.70	21.50
90-130	263.19	21.90	30.00
90-150	399.91	33.30	45.60
90-180	490.97	40.90	56.00
110-180	374.10	31.20	42.70
0-180	877.01	73.10	100.00

Coefficient of utilization- Zonal Cavity Method
 Effective Floor Cavity Reflectance 0.20%

Ceiling Reflectance (%)	80				70				50				30				10				0
	70	50	30	10	70	50	30	10	50	30	10	50	30	10	50	30	10	0			
Room Cavity Ratio																					
0	77	77	77	77	71	71	71	71	58	58	58	47	47	47	37	37	37	32			
1	69	65	62	59	63	60	57	54	49	47	45	40	38	37	31	30	29	24			
2	63	57	52	48	57	52	48	44	43	39	37	34	32	30	26	25	23	20			
3	57	50	44	39	52	45	40	36	37	34	31	30	27	25	23	21	20	16			
4	52	44	38	33	47	40	35	31	33	29	26	27	24	21	21	19	17	14			
5	48	39	33	28	43	36	30	26	30	25	22	24	21	18	19	16	15	12			
6	44	35	29	24	40	32	27	23	27	22	19	22	18	16	17	15	13	11			
7	41	31	25	21	37	29	24	20	24	20	17	20	16	14	15	13	11	9			
8	38	28	23	19	34	26	21	17	22	18	15	18	15	13	14	12	10	8			
9	35	26	20	17	32	24	19	16	20	16	13	16	13	11	13	11	9	7			
10	33	24	18	15	30	22	17	14	18	15	12	15	12	10	12	10	8	7			