



louis
poulsen

| create atmosphere with
pendants

**louis
poulsen**





Create the perfect atmosphere

We all know the feeling of being in pleasant and comfortable surroundings. The feeling of safety and well-being. Why are there places we return to again and again? Comfort and atmosphere.

Le Corbusier, the iconic architect, divided his architectural designs into two rooms, the exterior and the interior. This approach considered both the light and people's activities in buildings and in their surroundings. On light in general, Le Corbusier said: "The right type of light at the right time and in the right amount."

At the same time, Poul Henningsen was working on his lighting philosophy, developing - as a reflection of Le Corbusier's views on architecture - his later world-famous lighting fixtures based on the multi-shade principle. Again, comfort and atmosphere were key to both architects' philosophies.

The qualities of a room cannot be described in terms of luminous efficacy alone. The eye perceives and people experience. Light gives atmosphere to a room.



LP Charisma Queen • Page 8



LP Charisma King • Page 10



PH Louvre • Page 14



PH Artichoke • Page 16



Enigma 825 • Page 20



Airport • Page 22



PH 6 Maxi • Page 26



Collage Pendant • Page 28

**louis
poulsen**



Fixtures lend identity to light

Every Louis Poulsen Lighting product stems from the demand for a specific lighting concept and a solution that determines the final design of a product.

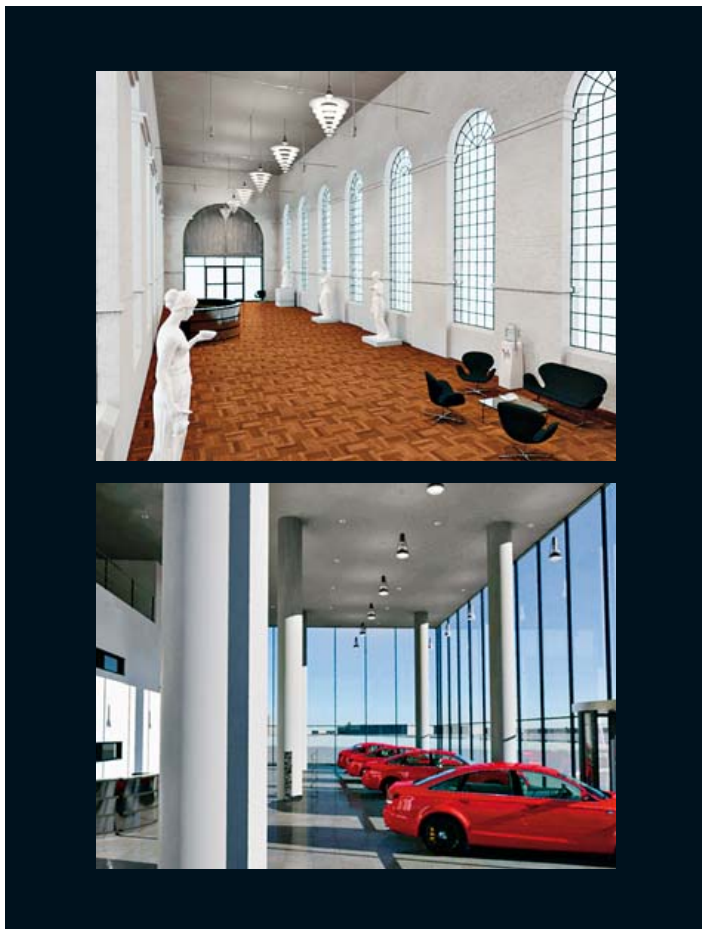
Developed for Munich Airport, the Airport fixture is a case in point. The project called for a product that could be suspended high up in a room while also rendering a high level of light. This is why the light is predominantly distributed downward (see the “white room” illustration on the opposite page). In contrast, the PH Artichoke and PH Louvre are designed to fill a room with soft, diffuse light.

Louis Poulsen Lighting recognizes the benefits of light sources with superior color rendering. For this reason, we have chosen to use metal halide and incandescent lamps in all of our pendants that appear throughout this brochure.

The “white room” pictures on the opposite page demonstrate the light distribution of various pendants.

Design your own lighting solution

Experience how the placement of a pendant impacts a room's identity. Our website allows you to place the big pendants in two rooms of varying ceiling height and experience how the selected pendants affect the room's atmosphere. Try it at www.louispoulsen.com.



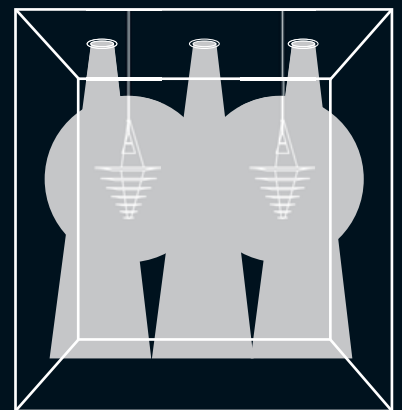
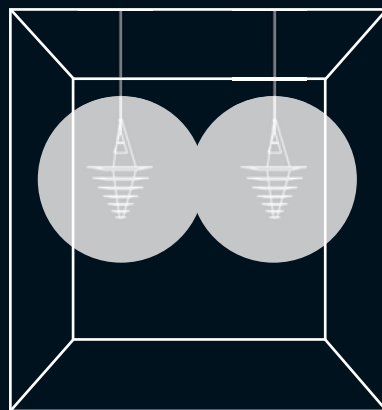
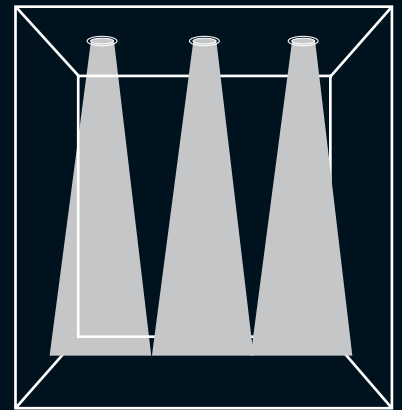
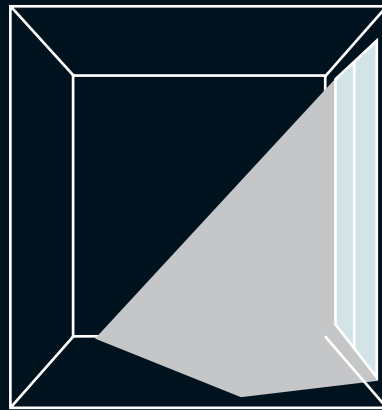


Where does light come from?

Outdoors, we never doubt where light comes from. It comes from above and from the sides - it surrounds us. But interior light is different. Natural light usually falls through windows, commonly placed in walls and sometimes in the ceiling, which allows both horizontal and vertical light to enter.

To accommodate cleaning, energy and environmental considerations, most interior lighting is built into ceilings, so that the light is directed downwards through the room (horizontal lighting).

Pendants emit lighting that is more spatial (vertical lighting). To avoid large numbers of pendants, designers often combine them with downlights to create atmosphere and to improve the level of lighting. The result is a combination of horizontal and vertical lighting.



LP Charisma Queen

LP Charisma Queen was designed to be suspended lower in the room than LP Charisma King, for example above conference tables. The addition of the Queen version endows the LP Charisma series with even more areas of application. LP Charisma Queen was designed for compact fluorescent lamps. The organic shape of the inner cylinder conveys an aesthetic yet simple impression which, despite the size of the fixture, does not intrude upon its surroundings.



Design
PLH design as

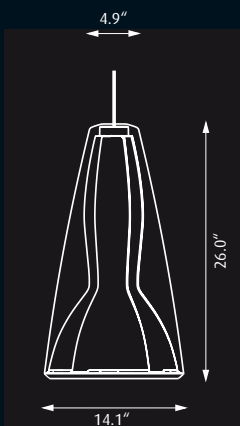
Finish
Reflector/housing is white painted inside and Grey aluminum color painted outside. Clear acrylic Cone.

Material
Cone: Injection moulded clear acrylic. Shades: Spun aluminum. Ring: Die cast aluminum.

Light source
1/57W/CF GX24q-5

Product example
CHA-Q 1/57W/CF GX24q-5
120-277V GREY ALU COL

Refer to www.louispoulsen.com to view our full product offering.



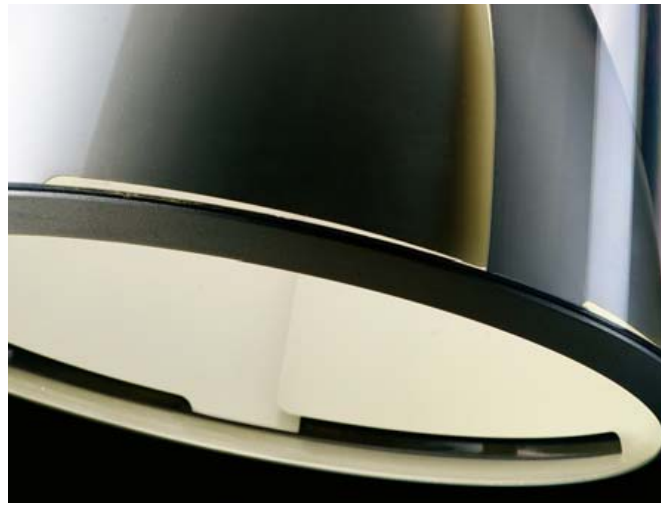


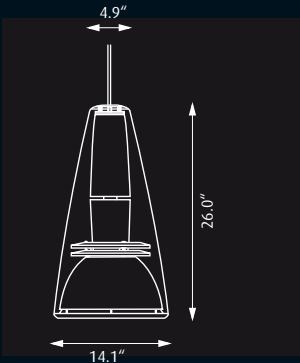
Use LP Charisma Queen in:

- foyers
- reception areas
- hallways
- stairways
- auditoriums
- offices
- dining areas
- classrooms

LP Charisma Queen:

- has no direct glare
- is fitted with a white reflector, compensating for the lightsource color hue
- has a simple design which is ideal for repetitive suspension
- has an unobtrusive, organic design
- is suited for viewing from all angles
- is suited for flexible placement
- combines contemporary materials





Design
PLH design as

Finish
Reflector/housing is grey aluminum wet paint outside and white painted inside or aluminum. Opal shades. Clear acrylic cone.

Material
Cone: Injection moulded clear acrylic. Shades: Injection moulded white opal polycarbonate. Reflector: Spun aluminum. Ring: Die cast aluminum. Housing: Spun aluminum. Struts: Die cast aluminum.

Light source
1/70W/CMH/T-6 G12
1/150W/CMH/T-6 G12
1/250W/Halogen/T-4 mini can

Product example
CHA-K 1/70W/CMH T-6 G12
120-277V GREY ALU COL
Narrow Opal Poly

Refer to www.louispoulsen.com to view our full product offering.





LP Charisma King

LP Charisma King is self-illuminating and designed to minimize glare in any direction. A slim acrylic cone defines the fixture's outer shape, expressing the primary, downward direction of the light.

LP Charisma King distributes light evenly, and its conical shape prevents rooms from being divided into two sections of light, one above and one below the fixture. The middle shades are opal, rendering soft, diffuse light while directing small amounts of light upward into the fixture.

LP Charisma King is available with two types of reflectors: a white painted reflector emitting medium beam diffuse lighting or an aluminum reflector emitting narrow-beam downward light suited for high-ceilinged rooms.

Use LP Charisma King in:

- foyers
- hallways
- stairways
- high-ceilinged rooms with balconies
- auditoriums
- open-plan offices
- dining areas
- production areas
- museums

LP Charisma King:

- is a flexible lighting solution with its two reflector types
- has a simple design – ideal for repetitive suspension
- is unobtrusive
- is suited for viewing from all angles
- is suited for flexible placement in high- or medium-ceilinged rooms
- combines contemporary materials





LP Charisma King. Seaside Wedding Riviera, Zushi City, Japan. Photo: Tetsuo Ishii, SS Tokyo.



PH Louvre. University of Cincinnati Kingsgate Conference Center, Cincinnati, Ohio, USA. Architect: VOA Architects. Lighting Design: Catrina Couch Kolshorn. Photo: Mark Ballogg, Steinkamp/Ballogg.



Design
Poul Henningsen

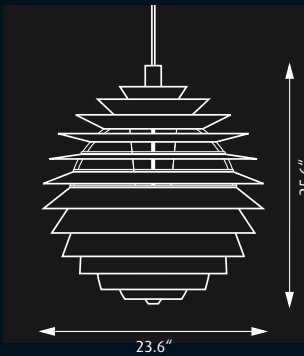
Finish
White, wet painted.

Material
Shades: Spun aluminum. Frame: High lustre chrome plated, extruded brass. Housing: High lustre chrome plated, spun aluminum.

Light source
1/250W/MH/ED -28-0 mogul
1/400W/MH/ED-37 mogul
1/500W/PS-35/CL mogul

Product example
PHL 1/400W/MH/ED-37 mogul
120-277V WHT

Refer to www.louispuolsen.com
to view our full product offering.





PH Louvre

Via its geometric shape, PH Louvre distributes uniform, glare-free and soft light into a room. PH Louvre was designed to illuminate the space surrounding the fixture, distributing light evenly from the pendant surface from its 13 reflecting conical shades.

The combination of the polished surface and matte finish on the underside of the shades gives optimum control of light reflections and comfortably illuminates a room.

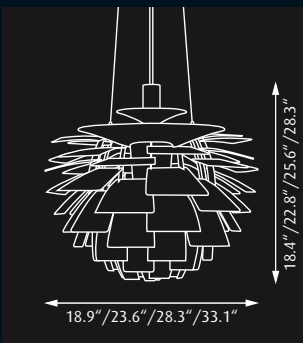
Use PH Louvre in:

- foyers
- reception areas
- hallways
- stairways
- high-ceilinged rooms with balconies
- auditoriums
- churches
- museums

PH Louvre:

- has no direct glare
- offers high lighting comfort
- is a pendant rendering optimum room illumination
- is excellent for repetitive suspension
- has a simple, minimalist design
- appears unobtrusively in its surroundings
- is geometrically shaped – long-life design





Design
Poul Henningsen

Finish
Copper or stainless steel, brushed and lacquered. White, wet painted.

Material
Leaves: Die cut copper, laser cut stainless steel or die cut steel. Top shade: White, spun steel. Frame: High lustre chrome plated, laser cut steel. Suspension: High lustre chrome plated, spun aluminum.

Light source
1/150W/CMH/T-6 G12
1/250W/MH/ED-28-0 mogul
1/400W/MH/ ED-37 mogul
1/500W/PS-35/CL mogul

Product example
33.1"
PHA 33.1" 1/400W/MH/ED-37 mogul
120/277V WHT
28.3"
PHA 28.3" 1/500W/PS-35/CL mogul
120V BR ST STEEL

Refer to www.louispuolsen.com to view our full product offering.





PH Artichoke

The 72 leaves direct light into the room while also illuminating the leaf surfaces for visual interest. PH Artichoke is based on Poul Henningsen's theory of shade reflections. The fixture has no direct view to the light source and thus no glare. PH Artichoke is available in brushed copper, white paint or brushed stainless steel. The 72 leaf surfaces are indirectly illuminated, creating differences in emitted light depending on the material from which it is reflected. Copper lends a warm hue to the light, whereas stainless steel and white paint produce cooler and more neutral light.



Use PH Artichoke in:

- foyers
- hallways
- reception areas
- auditoriums
- restaurants
- concert halls
- theatres

PH Artichoke:

- has no direct glare
- is suited for solo and repetitive suspension
- illuminates the space beautifully
- is a design icon
- lends identity and prestige
- has long-life design
- is a pendant that creates atmosphere in a room





PH Artichoke. Restaurant Alice Dining. Central Japan International Airport (Centrair). Architect: Tokyu Agency Inc. Photo: Akira Fukazawa, Studio Baku

Enigma 825. Danish Design Center, Copenhagen. Photo: Anders Sune Berg.

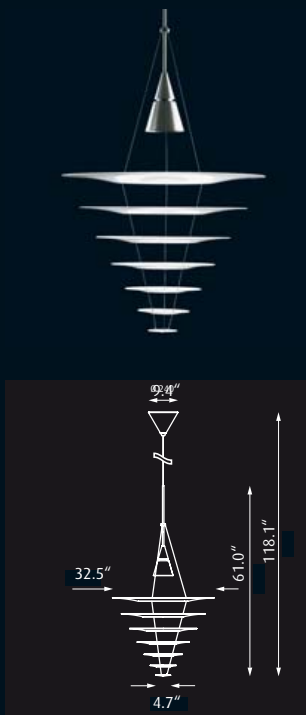


Use Enigma 825 in:

- foyers
- hallways
- stairways
- high-ceilinged rooms with balconies
- auditoriums
- open-plan offices
- dining areas
- restaurants
- museums

Enigma 825:

- has no direct glare
- displays Japanese minimalism (in sync with Danish lighting philosophy)
- illuminates surroundings impressively and emits optimum room lighting
- has a simple, transparent design, making it well-suited for repetitive suspension
- is suited for viewing from all angles
- is a pendant with a lightness of design



Design
Shoichi Uchiyama

Finish
Clear anodized brushed aluminum stem and cone. Matte white opal acrylic shade.

Material
Cone and Pendant tube: Clear anodized brushed aluminum. Wire: Stainless steel. Shades: Acrylic.

Light source
1/39W/CMH/T-6 G12
1/70W/CMH/T-6 G12
1/150W/Halogen/T10

Product example
ENIG825 1/70W/CMH/T-6 G12
120-277V ALU BRU & ANO

Refer to www.louispuolsen.com to view our full product offering.



Enigma 825

Enigma 825 is a delicate fixture, designed for rooms with ceiling heights of at least 12 feet. As its name indicates, Enigma has a diameter of 825 millimeters, and a pendant height of 4½ feet.

Enigma 825 emits a soft, comfortable and indirect light created from the shades diffusing the light source. The direct downward light is broken by the bottom cup and thus avoiding direct glare.

The illumination of the seven shades spreads the light into a room, giving the fixture an appearance of hovering effortlessly. The top side of the shades are matte and textured to heighten light distribution, and the undersides are polished to better reflect diffusing light.

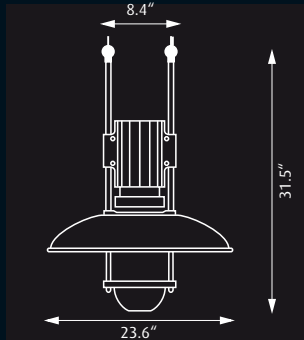


Use Airport in:

- foyers
- reception areas
- hallways
- stairways
- high-ceilinged rooms with balconies
- auditoriums
- open-plan offices
- production areas
- exhibitions
- restaurants
- shops and stores
- transportation terminals

Airport:

- has no direct glare
- has high luminous efficiency
- is an alternative to downlights
- is a pendant with excellent, color-rendering light sources
- offers flexible placement with two reflector types
- has a simple, functional design



Design

Louis Poulsen Lighting A/S

Finish

Shade: White powder coated or clear anodized aluminum.
Bottom cup and housing white powder coated.

Material

Reflector: Spun anodized aluminum. Bottom cup: Die cast aluminum.
Housing: Die cast aluminum. Pendant tubes: Polished stainless steel.
Shade: White powder coated or clear anodized aluminum. Bottom cup and housing white powder coated.

Light source

1/150W/CMH/T-6 G12
1/500W/Halogen/T-3 R7S

Product example

ARP 1/150W/CMH/T-6 G12 120-277V WHT WIDE

Refer to www.louispoulsen.com to view our full product offering.





Airport

As its name denotes, Airport was developed as a general lighting fixture for an airport in Munich.

Airport is a reflector-based fixture, designed to illuminate high-ceilinged rooms. The reflector is available in two versions: A narrow-beam version with an aluminum reflector and a wide-beam version with a white reflector. With both versions, lighting is directed downward.





Airport. Munich Airport, Munich, Germany. Photo: Udo Kowalski.



PH 6 Maxi

PH 6 Maxi is an enhancement of PH's brilliant three-shade system. Above the upper shade of the three-shade fixture, Poul Henningsen designed the fixture with a trumpet-like top as a fourth shade. This directs the light horizontally away from the fixture, spreading it into the room.

PH 6 Maxi was designed with the same lighting comfort principles as the other PH fixtures. The light source is totally shielded to prevent direct glare.

PH 6 Maxi can be accompanied by its smaller sibling, the PH 6 Mini.



Design
Ebbe Christensen & Sophus Frandsen based on sketches by Poul Henningsen

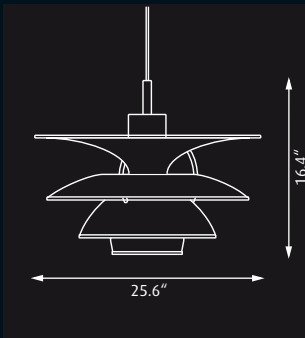
Finish
White, wet painted.

Material
Shades: Spun aluminum. Struts: Matte chrome plated, rolled aluminum.

Light source
1/150W/CMH/T-6 G12
1/250W/MH ED-28-0 Mogul
1/500W/PS-35/CL mogul

Product example
PH6 MAX 1/500W/PH-35/CL mogul 120V WHT

Refer to www.louispoulsen.com to view our full product offering.





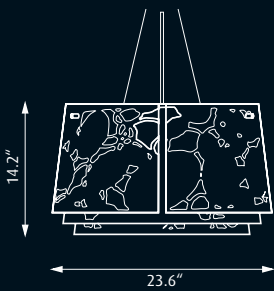
Use PH 6 Maxi in:

- foyers
- hallways
- stairways
- high-ceilinged rooms with balconies
- auditoriums
- open-plan offices
- dining areas
- restaurants
- museums

PH 6 Maxi:

- has no direct glare
- impressively illuminates surroundings - emits optimum room lighting
- has a simple design, making it ideal for repetitive suspension
- is suited for flexible placement in a room
- is suited for viewing from all angles
- is an impressive, sculptural fixture





Design
Louise Campbell

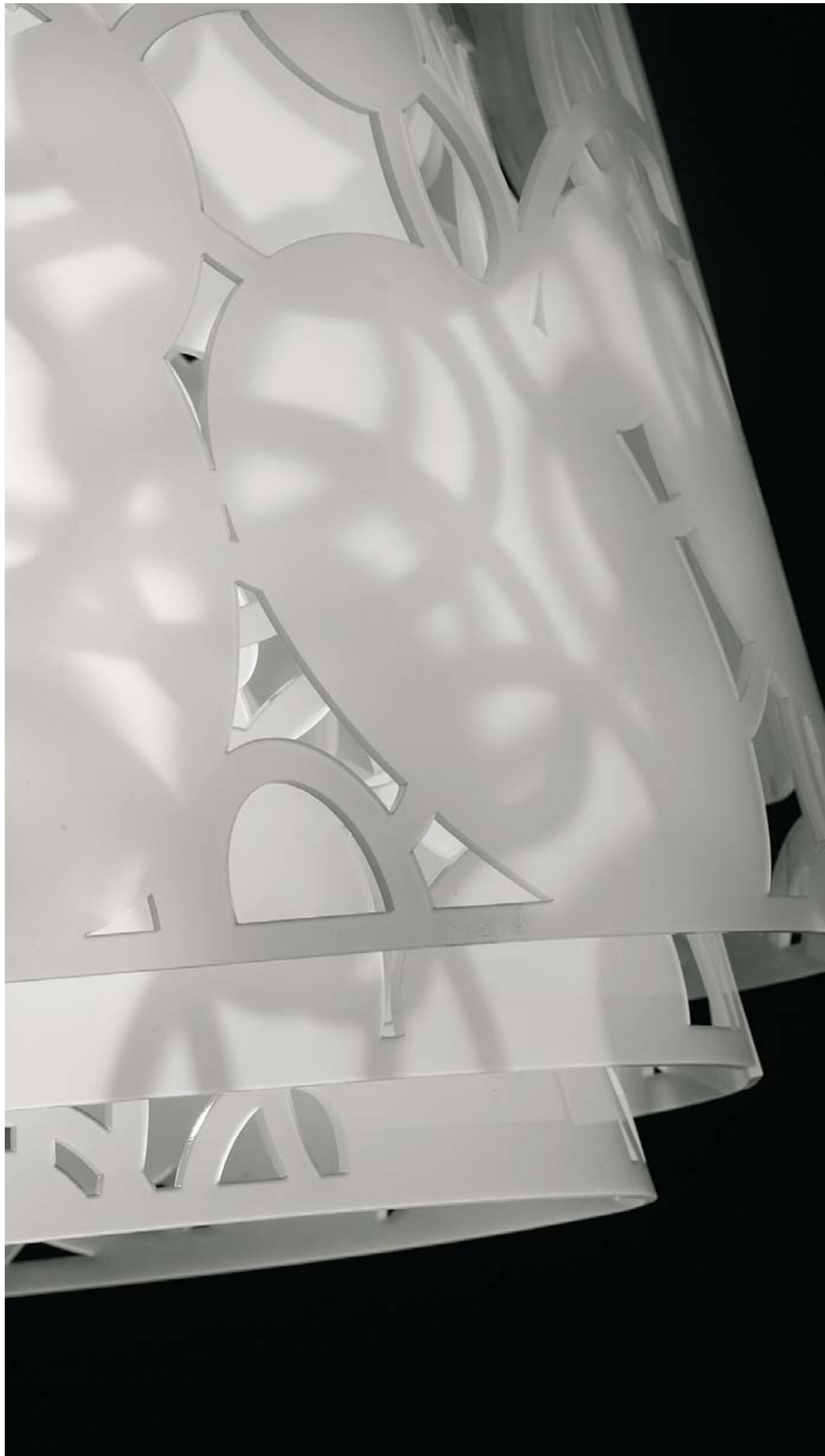
Finish
Hotlips (pink), Juicy Orange (orange),
Lemon Yellow (yellow), Smoke Screen
(smoke) or Snow White (white).

Material
Shades: Laser cut acrylic. Suspension:
Naturally anodized aluminum.

Light source
1/100W/A-19/IF/MED
Compact fluorescent version available
in 2008

Product example
COLLP 1/100W/A-19/IF/120V/Hotlips

Refer to www.louispoulsen.com to view
our full product offering.



Collage Pendant

Collage Pendant is ideal for suspension in conference rooms, dining areas and restaurants where lighting should help underline the ambience while also meeting functional requirements. Collage Pendant comes with three shades of elliptical patterns, cut to cover the light source and to prevent glare. A top or lower shade can be mounted to achieve complete shielding of the light source without any notable loss of illumination. Collage Pendant primarily directs light downwards. Mounting a lower shade achieves soft, diffuse downward light, which may prove advantageous if Collage Pendant hangs suspended over a table with a polished or reflective surface.



Use Collage in:

- conference rooms and auditoriums
- open-plan offices
- reception areas
- dining areas
- restaurants
- shops and stores

Collage:

- no direct glare
- beautiful illumination of surroundings - superb room lighting
- classic design inspired by natural light
- flexible placement in a room
- inspiring and unconventional style
- atmosphere and elegance



Collage Pendant. Formel B Restaurant. Copenhagen, Denmark. Interior designer: Søren Vester. Photo: Anders Sune Berg.

Collage Pendant. D.O.C. Restaurant, Hamburg, Germany. Architect: André Poltiers. Interior: Architect Michaela Hannesson. Photo: Kaslov Studio.



**louis
poulsen**

USA

Louis Poulsen Lighting, Inc.
3260 Meridian Parkway
Fort Lauderdale, FL 33331
Tel. (954) 349 2525
Fax (954) 349 2550
info@louis Poulsen.com
www.louis Poulsen.com

Corporate Headquarters

Louis Poulsen Lighting A/S
Sluseholmen 10
DK-2450 Copenhagen SV
Tel. +45 70 33 14 14
Fax +45 33 29 86 36
belysning@lppmail.com
www.louis-poulsen.dk