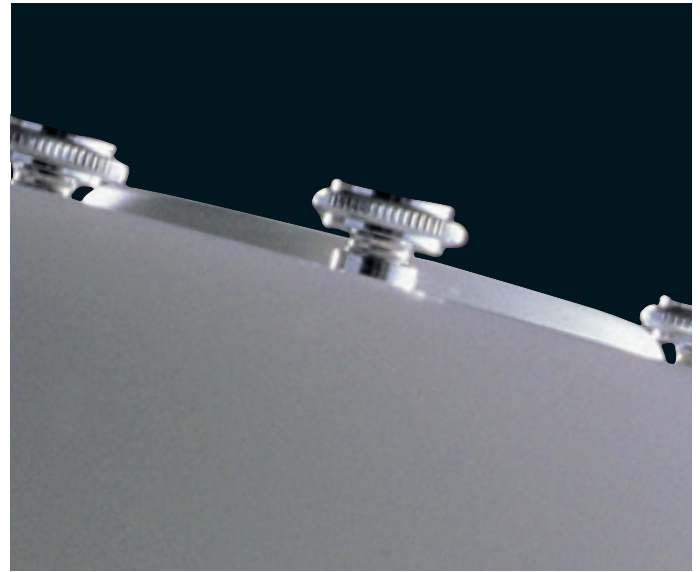


PH 4/3 Table

table & floor



Weblink
140

Project page
274

Design
Poul Henningsen

Concept
PH 4/3 Table (1967) provides mainly downward illumination. PH 4/3 is based on the principle of a reflecting multi-shade system, creating a harmonious and glare free illumination. The shades are drawn over a logarithmic spiral, with the center of the light source placed in the spiral's focal point.

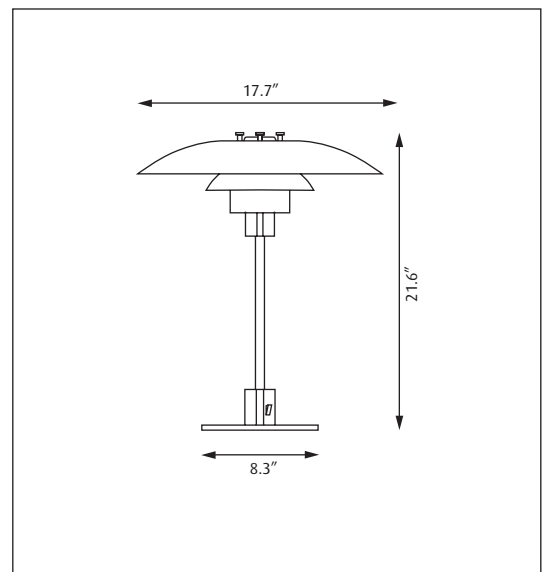
Finish
White, wet painted. High lustre chrome plated.

Material
Base: High lustre chrome plated, spun brass. Shades: Spun aluminum. Stem: High lustre chrome plated, steel. Triangular piece: Black, injection molded bakelite.

Mounting
Cord type: Black. Cord length: 9'. Switch: On/off switch located in black bakelite stem base.

Weight
Max. 5 lbs.

Label
cUL, Dry location. IBEW.



Product code	Light source	Voltage	Finish	Mounting
PH4/3-T	1/100W/A-19/IF medium	120V	WHT	FIXED BASE FREE STANDING

Info notes:
I. The comparable EU version has the following classification: Ingress Protection Code: IP20.



U.S. Food and Drug Administration
Regional Laboratory
Irvine, California, USA
Architect
Zimmer Gunsul Frasca Partnership
Photo
Nick Merrick © Hedrich Blessing

